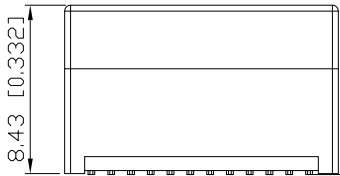
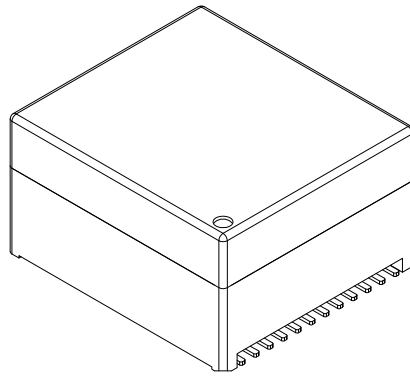
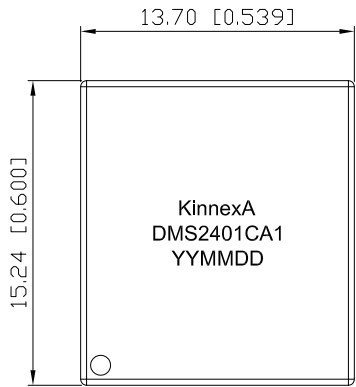


1. MECHANICAL DIMENSIONS :

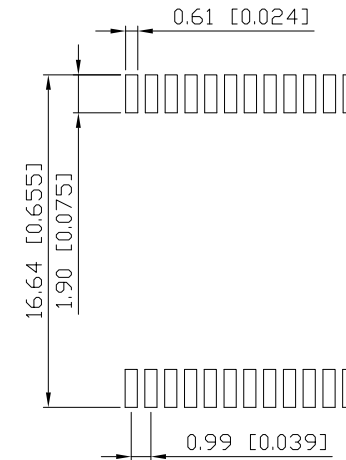
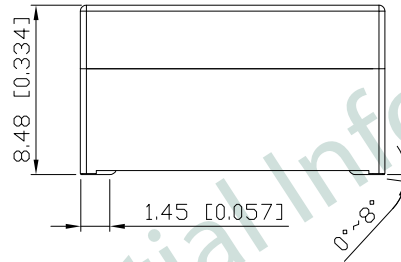
REV.	DATE	DESCRIPTION
01	May. 05, '17	1st RELEASE

NOTES:

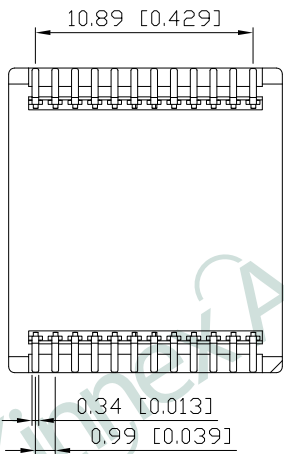
- MATERIAL:
HOUSING: LCP, STANDARD COLOR-BLACK
SOLDER PIN: BRASS PLATED WITH TIN
- OPERATING TEMPERATURE: 0°C ~ +70°C
- UNSPECIFIED TOLERANCE: .XX ±0.25[0.010]



Δ 0.10 [0.004]
24 SURFACES



SUGGESTED PAD LAYOUT



KTFZ-DMS2401CA1-HA1

TRANSFORMER
MODULE SERIES

TYPE
D: STANDARD

APPLICATION
M: 10 GIGABIT

NUMBER OF PORT
S: FOR SINGLE PORT

NUMBER OF PIN

MECHANICAL TYPE

PITCH
A: 0.99

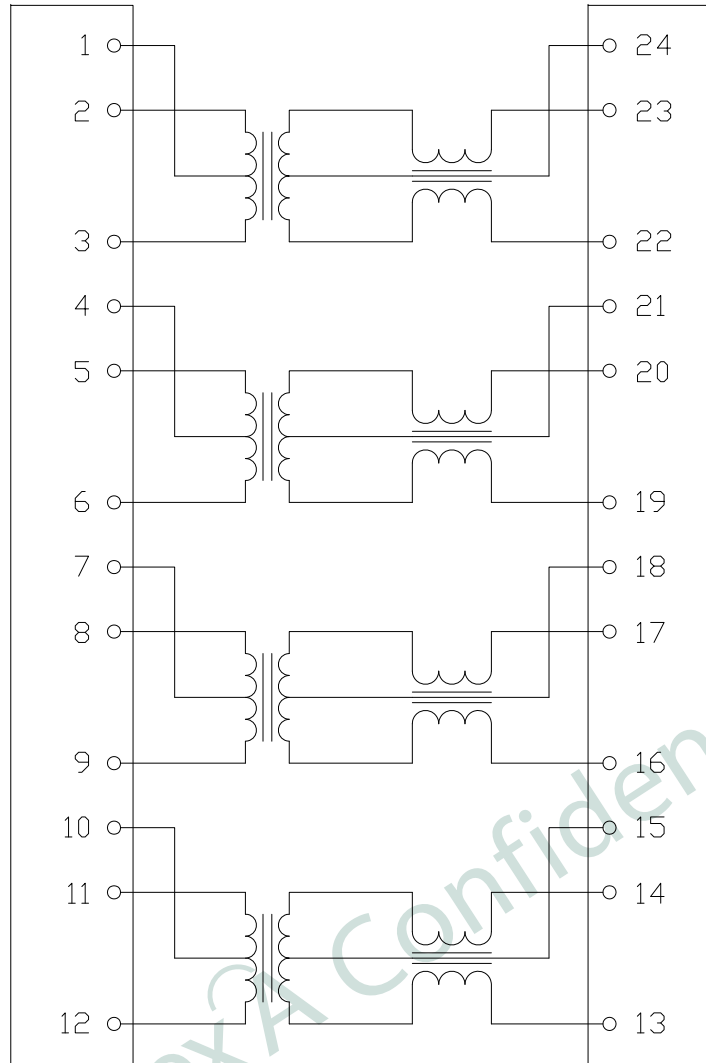
TERMINAL TYPE
C: SMT TYPE

CIRCUIT TYPE

CUSTOMER CODE

PART NO		KTFZ-DMS2401CA1-HA1		
TITLE	10G BASE-T TRANSFORMER MODULES			
REV : 01				
UNIT	DRAWN	CHKD	DATE	SHEET
mm[inch]	DANIEL	RYAN	May. 05, '17	1 of 3


2. SCHEMATIC :



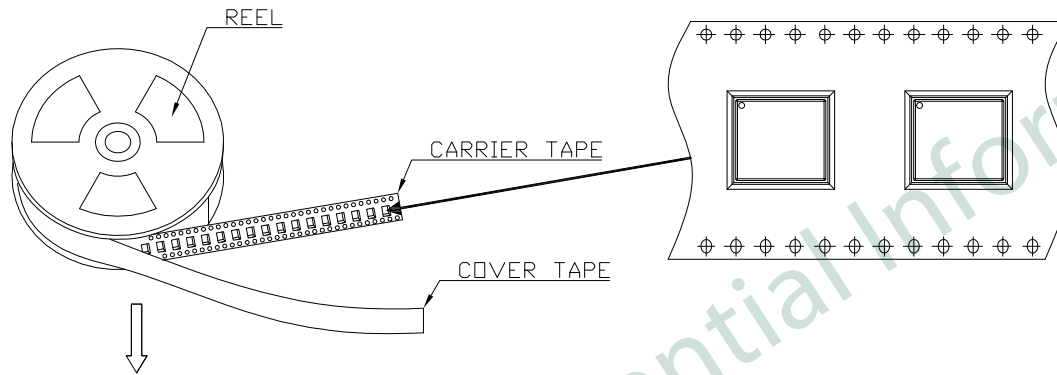
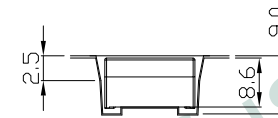
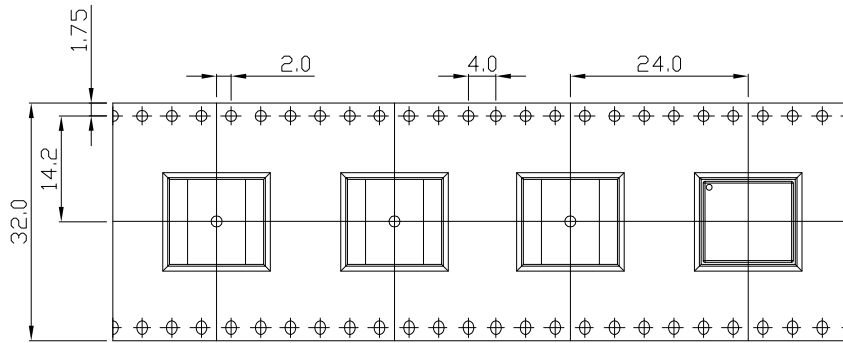
3. ELECTRICAL CHARACTERISTICS :

TEST NOTES:(25°±5°C)

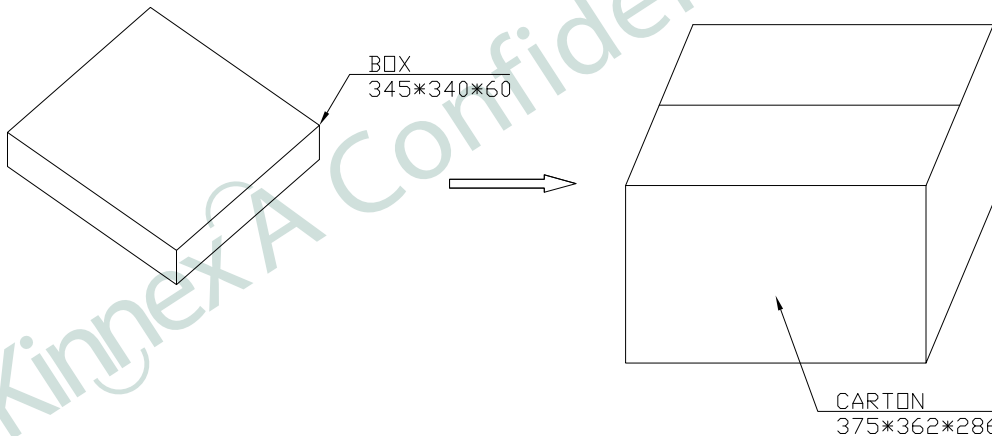
1. INSERTION LOSS:
 - 0.5dB MAXIMUM AT 1MHz TO 5MHz
 - 0.6dB MAXIMUM AT 5MHz TO 200MHz
 - 1.0dB MAXIMUM AT 200MHz TO 400MHz
 - 2.0dB MAXIMUM AT 400MHz TO 600MHz
2. RETURN LOSS AT THE PHY SIDE:
 - 20dB MINIMUM AT 1MHz TO 100MHz
 - 16dB MINIMUM AT 100MHz TO 200MHz
 - 15dB MINIMUM AT 200MHz TO 400MHz
 - 9dB MINIMUM AT 400MHz TO 600MHz
 - 2dB MINIMUM AT 600MHz TO 800MHz
3. CROSS TALK:
 - 30dB MINIMUM AT 100MHz TO 500MHz
4. CM TO DM REJECTION:
 - 35dB MINIMUM AT 1MHz TO 500MHz
5. CM TO CM REJECTION:
 - 30dB MINIMUM AT 1MHz TO 600MHz
6. HIPOT:
 - INPUT TO OUTPUT : 1500VAC FOR 60 SECONDS

 PART NO		KTFZ-DMS2401CA1-HA1		
TITLE	10G BASE-T TRANSFORMER MODULES			
REV : 01				
UNIT	DRAWN	CHKD	DATE	SHEET
mm[inch]	DANIEL	RYAN	May. 05, '17	2 of 3

4. PACKING SPECIFICATION:



300	300	1200
PCS/REEL	PCS/BOX	PCS/CARTON



PART NO		KTFZ-DMS2401CA1-HA1		
TITLE	10G BASE-T TRANSFORMER MODULES			
REV : 01				
UNIT	DRAWN	CHKD	DATE	SHEET
mm[inch]	DANIEL	RYAN	May. 05, '17	3 of 3