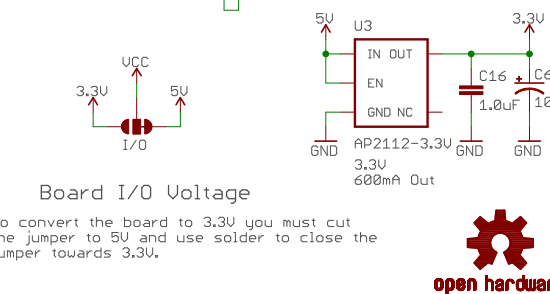
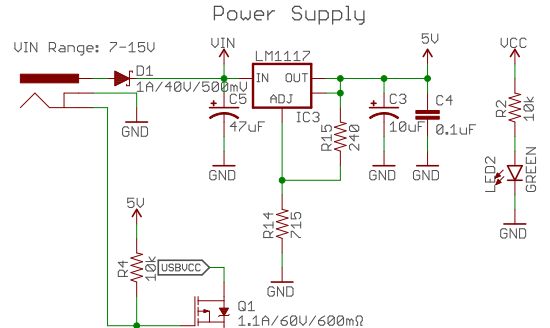
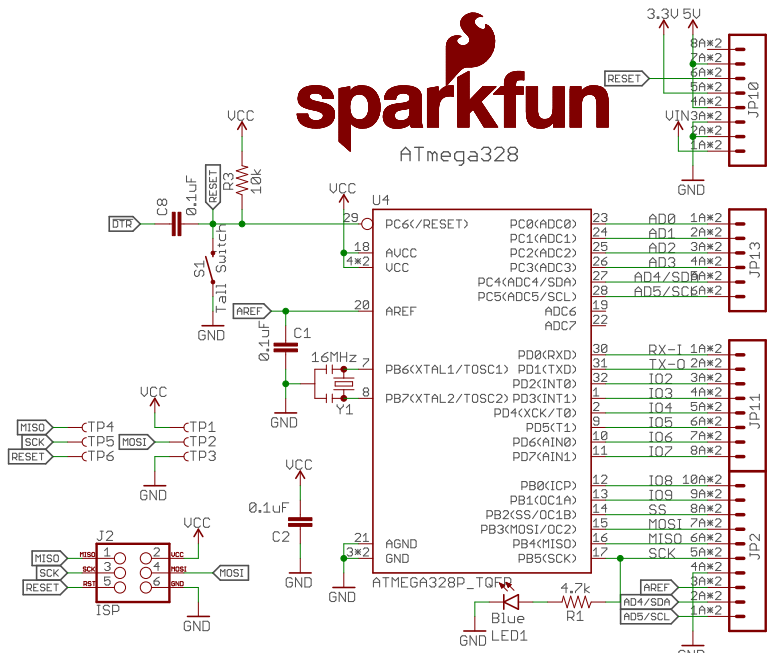
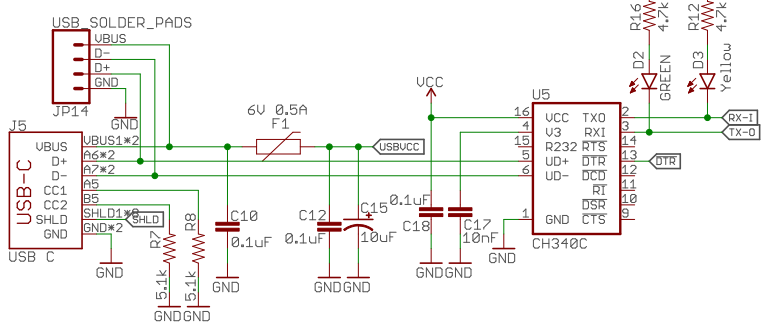




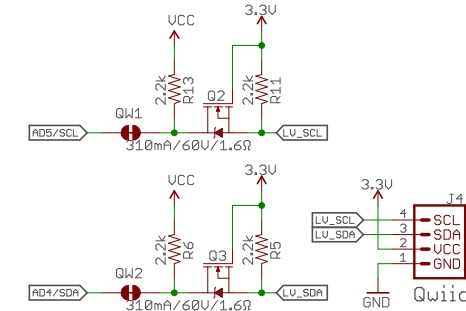
ATmega328



USB-to-Serial Converter



Qwiic 3.3V Conversion



Released under the Creative Commons Attribution Share-Alike 4.0 License
<https://creativecommons.org/licenses/by-sa/4.0/>

TITLE: BlackBoard

Design by: Jim Lindblom, N. Seidle
 Based on Arduino by: M.Banzi, D.Cuartielles, T.Igoe, G.Martino, D.Mellis

REV: X02

Date: 1/10/2019 9:43 AM Sheet: 1/1

Note: Cut QW1 and QW2 to disconnect Qwiic and allow A4/A5 as analog inputs.