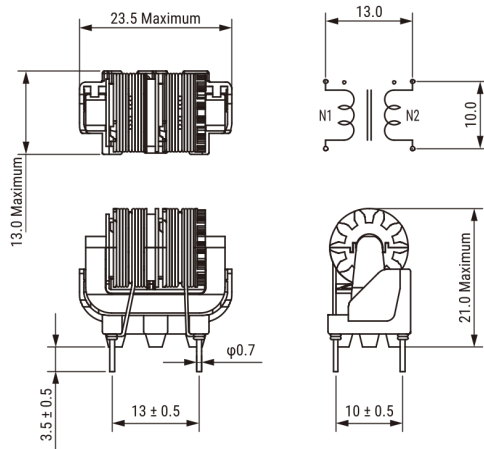


SSR10V-30016

Aliases (UALR10V3001600)

KEMET, SSR10V/H, AC Line Filters, Common Mode, 1.6 mH



Click [here](#) for the 3D model.

Dimensions

L	23.5mm MAX
T	13mm MAX
H	21mm MAX
LL	3.5mm +/-0.5mm
S	13mm +/-0.5mm
S1	10mm +/-0.5mm
Wire Size	0.5mm

Packaging Specifications

Packaging	Tray
Packaging Quantity	600
Component Weight	9 g

General Information

Series	SSR10V/H
Style	Through-Hole
Features	Small Standard Common Mode, High Permeability, Compact Size, Low Profile, Light Weight, High Impedance, Strong Inductance
RoHS	Yes
Miscellaneous	65 (K) Temperature Rise Max.
Core	Mn-Zn Ferrite

Specifications

Voltage AC	250 VAC
Inductance	1.6 mH (10 kHz)
Current	3 A
Temperature Range	-25/+120°C
DC Resistance	60 mOhms