

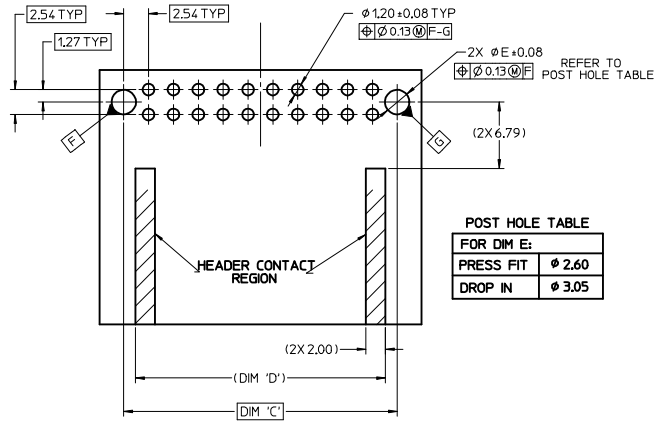
MATERIAL NUMBER			CKT SIZE	DESCRIPTION	POL	COLOR
TRAY PACKAGING PK-31300-892	TUBE PACKAGING PK-31301-063	ALT TRAY PACK PK-31300-894				
34691-0200	34691-9200	34691-9204	20	STAC64 RIGHT ANGLE HEADER ASSEMBLY	A	BLACK
34691-0201	34691-9201	TBD	20	STAC64 RIGHT ANGLE HEADER ASSEMBLY	B	GREY
34691-0202	34691-9202	TBD	20	STAC64 RIGHT ANGLE HEADER ASSEMBLY	C	BROWN
34691-0203	34691-9203	TBD	20	STAC64 RIGHT ANGLE HEADER ASSEMBLY	D	GREEN
34691-0160	34691-9160	TBD	16	STAC64 RIGHT ANGLE HEADER ASSEMBLY	A	BLACK
34691-0161	34691-9161	TBD	16	STAC64 RIGHT ANGLE HEADER ASSEMBLY	B	GREY
34691-0162	34691-9162	TBD	16	STAC64 RIGHT ANGLE HEADER ASSEMBLY	C	BROWN
34691-0120	34691-9120	TBD	12	STAC64 RIGHT ANGLE HEADER ASSEMBLY	A	BLACK
34691-0121	34691-9121	TBD	12	STAC64 RIGHT ANGLE HEADER ASSEMBLY	B	GREY
34691-0122	34691-9122	TBD	12	STAC64 RIGHT ANGLE HEADER ASSEMBLY	C	BROWN
34691-0080	34691-9080	TBD	8	STAC64 RIGHT ANGLE HEADER ASSEMBLY	A	BLACK
34691-0081	34691-9081	TBD	8	STAC64 RIGHT ANGLE HEADER ASSEMBLY	B	GREY
34691-0082	34691-9082	TBD	8	STAC64 RIGHT ANGLE HEADER ASSEMBLY	C	BROWN

- NOTES: VALID UNLESS OTHERWISE SPECIFIED
1. GENERAL:
- CONNECTOR HEADER MUST BE VALIDATED TO THE FOLLOWING FUNCTIONAL REQUIREMENTS:
POLARIZATION FEATURE EFFECTIVENESS - SEE PRODUCT SPECIFICATION
PIN RETENTION - USCAR-2 REV 4
SOLDERABILITY - SMES-152
 - APPLICATION REQUIREMENTS (REFERENCE ONLY) FOR:
SEE APPLICATION SPECIFICATION - AS-34729-020/AS-31408-100
SEE PRODUCT SPECIFICATION - PS-34729-020/PS-31408-100
 - PACKAGING SPECIFICATION: SEE CHART
2. DESIGN: MATERIALS:
- SHROUD (PLASTIC HOUSING):
RESIN - SPS 30%GF - 20% REGRIND MAX. BY WEIGHT
 - 0.64MM PINS:
BASE MATERIAL: C26000
PLATING TYPE: AS NOTED
 - PIN ALIGNMENT PLATE: NYLAR
3. PLATING REQUIREMENTS:
- UNDERPLATING - OVERALL NICKEL
 - OVERPLATING - OVERALL TIN
4. INTERFACE: USCAR
064-U-008-2-202
064-U-012-2-203
064-U-016-2-203
064-U-020-2-202
SOME CHAMBERS HAVE BEEN MODIFIED TO IMPROVE POLARIZATION EFFECTIVENESS. SEE AS-34729-002/AS-31408-100.

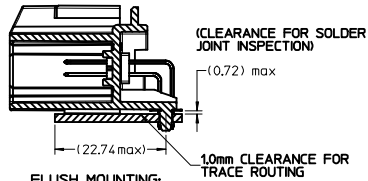
UPDATED DIMENSIONS EC NO: UAU2007-1044 DRAWN BY: FISCHER01 2017/05/11 CHKD: APPR:RB/ANMAN 2017/05/15 DESCRIPTION:	QUALITY SYMBOLS 	GENERAL TOLERANCES (UNLESS SPECIFIED) <table border="1"> <tr> <th></th> <th>mm</th> <th>INCH</th> </tr> <tr> <td>4 PLACES</td> <td>±.010</td> <td>±.0004</td> </tr> <tr> <td>3 PLACES</td> <td>±.013</td> <td>±.0005</td> </tr> <tr> <td>2 PLACES</td> <td>±.015</td> <td>±.0006</td> </tr> <tr> <td>1 PLACE</td> <td>±.025</td> <td>±.0010</td> </tr> </table>		mm	INCH	4 PLACES	±.010	±.0004	3 PLACES	±.013	±.0005	2 PLACES	±.015	±.0006	1 PLACE	±.025	±.0010	DIMENSION STYLE MM ONLY DRAWN BY: DATE: MBAILEY 10/02/06 CHECKED BY: DATE: EDILLON 04/18/07 APPROVED BY: DATE: SMARCEAU 2010/11/04	SCALE: 2:1 DESIGN UNITS: METRIC THIRD ANGLE PROJECTION
		mm	INCH																
4 PLACES	±.010	±.0004																	
3 PLACES	±.013	±.0005																	
2 PLACES	±.015	±.0006																	
1 PLACE	±.025	±.0010																	
DRAFT WHERE APPLICABLE MUST REMAIN WITHIN DIMENSIONS		TITLE STAC64 SINGLE BAY RIGHT ANGLE ASSEMBLY SALES DRAWING MOLEX INCORPORATED MATERIAL NO. SD-34691-100 DOCUMENT NO. 1 OF 2																	

CKT SIZE	DIM 'A'	DIM 'B'	DIM 'C'	DIM 'D'
20	34.04	31.57	27.94	25.54
16	28.96	26.49	22.86	20.46
12	23.88	21.41	17.78	15.38
8	18.80	16.53	12.70	10.30

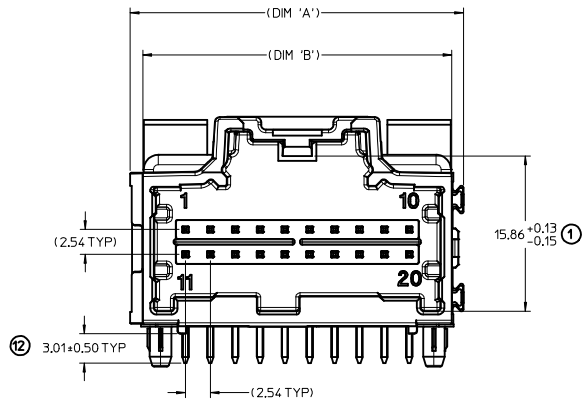
RECOMMENDED PCB LAYOUT



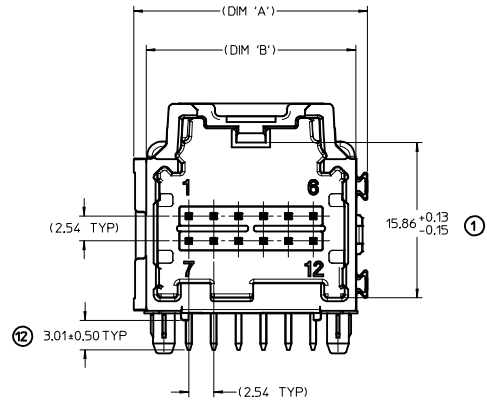
POST HOLE TABLE	
FOR DIM E:	
PRESS FIT	$\phi 2.60$
DROP IN	$\phi 3.05$



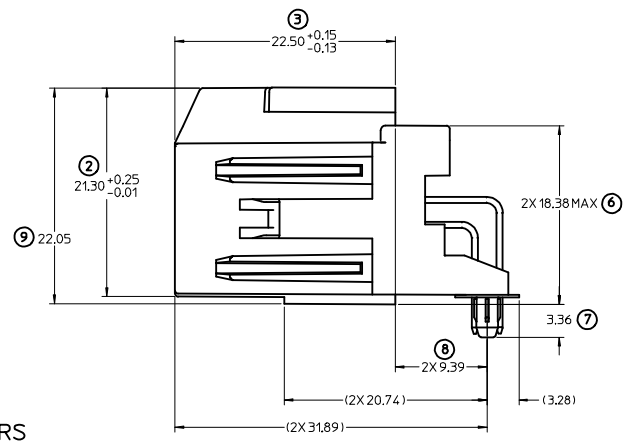
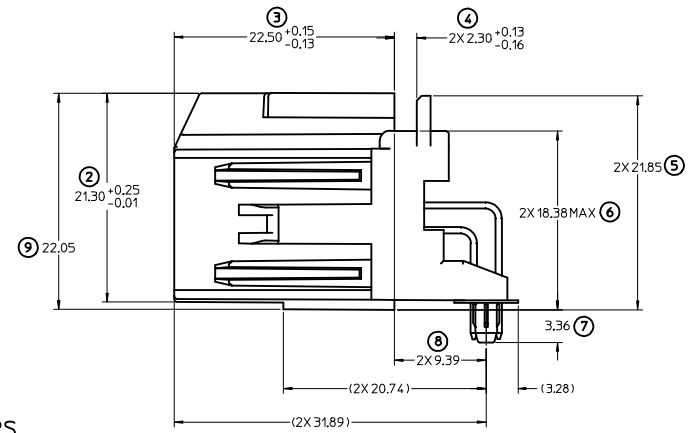
RECOMMENDED FOR WAVE SOLDER
 FOR REFLOW CAPABLE PLASTIC PAP SEE:
 SD-34691-600



LAYOUT FOR 16 & 20 CKT. HEADERS
(20 CKT. OPTION 'A' SHOWN)

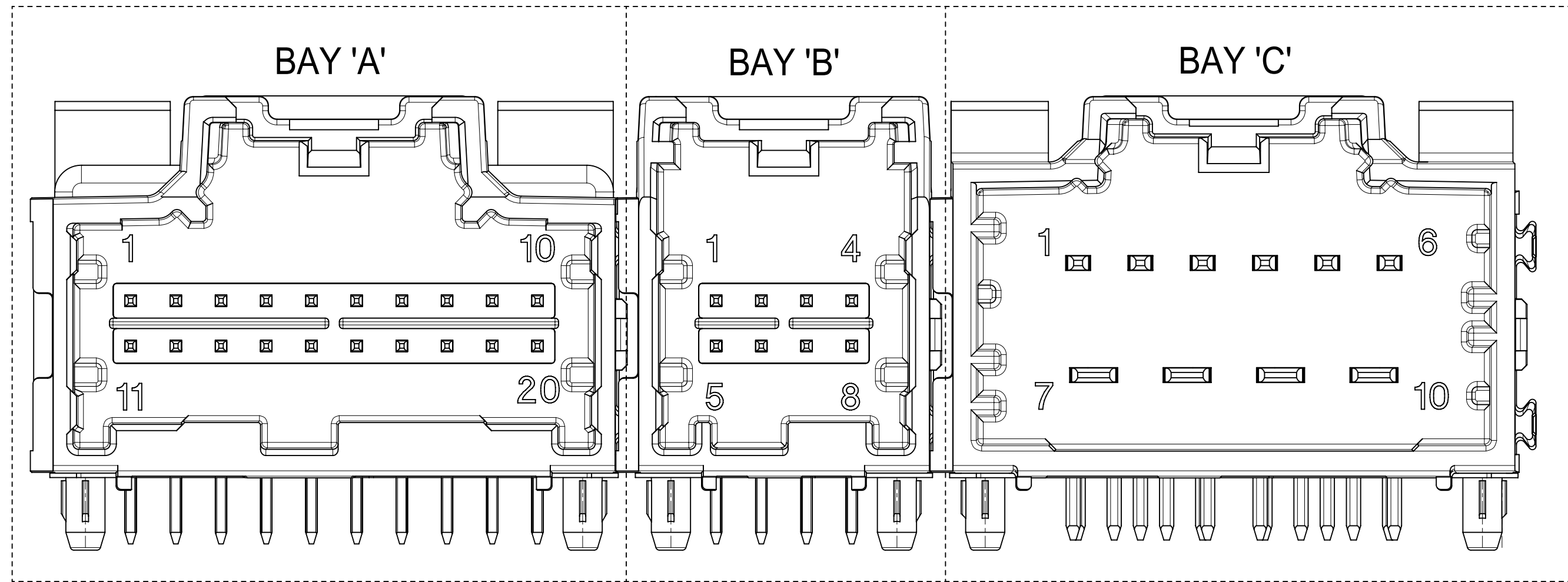


LAYOUT FOR 8 & 12 CKT. HEADERS
(12 CKT. OPTION 'A' SHOWN)



UPDATED DIMENSIONS IEC NO. UAU2017-1044 DRAWN: FISCHER01 2017/05/11 CHKD: APPR: BALMAN 2017/05/15 REV DESCRIPTION	QUALITY SYMBOLS $\nabla=0$ $\nabla=0$		GENERAL TOLERANCES (UNLESS SPECIFIED) <table border="1"> <thead> <tr> <th></th> <th>mm</th> <th>INCH</th> </tr> </thead> <tbody> <tr> <td>4 PLACES</td> <td>± 0.13</td> <td>± 0.005</td> </tr> <tr> <td>3 PLACES</td> <td>± 0.25</td> <td>± 0.010</td> </tr> <tr> <td>2 PLACES</td> <td>± 0.38</td> <td>± 0.015</td> </tr> <tr> <td>1 PLACE</td> <td>± 0.51</td> <td>± 0.020</td> </tr> </tbody> </table>			mm	INCH	4 PLACES	± 0.13	± 0.005	3 PLACES	± 0.25	± 0.010	2 PLACES	± 0.38	± 0.015	1 PLACE	± 0.51	± 0.020	DIMENSION STYLE MM ONLY		SCALE 4:1		DESIGN UNITS METRIC		THIRD ANGLE PROJECTION	
		mm	INCH																								
	4 PLACES	± 0.13	± 0.005																								
	3 PLACES	± 0.25	± 0.010																								
2 PLACES	± 0.38	± 0.015																									
1 PLACE	± 0.51	± 0.020																									
DRAWN BY M BAILEY		DATE 10/02/06		CHECKED BY DATE		CDILLON 04/18/07		TITLE STAC64 SINGLE BAY RIGHT ANGLE ASSEMBLY SALES DRAWING																			
APPROVED BY SMARCEAU		DATE 2010/11/04		MATERIAL NO. SEE CHART		DOCUMENT NO. SD-34691-100		MOLEX INCORPORATED																			
DRAFT WHERE APPLICABLE MUST REMAIN WITHIN DIMENSIONS		SIZE D		THIS DRAWING CONTAINS INFORMATION THAT IS PROPRIETARY TO MOLEX INCORPORATED AND SHOULD NOT BE USED WITHOUT WRITTEN PERMISSION																							

3-BAY STAC64 RIGHT ANGLE HEADER ASSEMBLY (P/N: 34708-3040 SHOWN)



NOTES: VALID UNLESS OTHERWISE SPECIFIED

1. GENERAL:

a. CONNECTOR HEADER MUST BE VALIDATED TO THE FOLLOWING FUNCTIONAL REQUIREMENTS:

PRODUCT SPECIFICATION:
8-20 CKT 0.64 PRODUCT SPEC: PS-34729-020/PS-31408-100
10/14 CKT HYBRID PRODUCT SPEC: PS-31372-100

b. APPLICATION REQUIREMENTS (REFERENCE ONLY):

APPLICATION SPECIFICATION: AS-34729-020/AS-31408-100

c. PACKAGING SPECIFICATION PER MOLEX DRAWING PK-31300-892 (TRAY)
d. PACKAGING SPECIFICATION PER MOLEX DRAWING PK-31301-063 (TUBE)

2. DESIGN: MATERIALS:

a. SHROUD (PLASTIC HOUSING):
RESIN - SPS 30%GF
COLOR:
POL A - BLACK
POL B - GRAY
POL C - BROWN
POL D - GREEN

b. 0.64mm PINS:
BASE MATERIAL: C26000
PLATING TYPE: AS NOTED

1.50/2.80mm BLADES:
BASE MATERIAL: C19400
PLATING TYPE: AS NOTED

3. PLATING REQUIREMENTS:

a. UNDERPLATING - OVERALL NICKEL

b. OVERPLATING - OVERALL TIN

4. FOR DESCRIPTION OF INDIVIDUAL BAYS, REFER TO THE FOLLOWING

SINGLE BAY DRAWINGS:
8-20 CKT 0.64: SD-34691-100
10 CKT HYBRID: SD-34696-100
14 CKT HYBRID: SD-34773-010

SYMBOLS		THIS DRAWING CONTAINS INFORMATION THAT IS PROPRIETARY TO MOLEX ELECTRONIC TECHNOLOGIES, LLC AND SHOULD NOT BE USED WITHOUT WRITTEN PERMISSION		CURRENT REV DESC:		molex	
DIMENSION UNITS	SCALE						
▽ = 0	mm	1:1					3-BAY STAC64 RIGHT ANGLE HEADER ASSEMBLY SALES DRAWING
▽ = 0	GENERAL TOLERANCES (UNLESS SPECIFIED)						
▽ = 0	ANGULAR TOL ± 1.0°						PRODUCT CUSTOMER DRAWING
▽ = 0	4 PLACES	±					
▽ = 0	3 PLACES	±					DOCUMENT NUMBER SD-34708-300
▽ = 0	2 PLACES	± 0.13					
▽ = 0	1 PLACE	± 0.25					DOC TYPE PSD
▽ = 0	0 PLACES	±					
□ = 0	DRAFT WHERE APPLICABLE MUST REMAIN WITHIN DIMENSIONS		THIRD ANGLE PROJECTION		DRAWING		SERIES 34708
▽ = 0			D-SIZE				
				MATERIAL NUMBER		CUSTOMER	
				GENERAL MARKET		SHEET NUMBER 1 OF 6	

DIMENSIONAL CHART FOR MULTIBAY CONFIGURATION:

3 BAY PART NUMBER (TUBE PKG)	3 BAY PART NUMBER (TRAY PKG)	BAY A			BAY B			BAY C			DIM 'A'	DIM 'B'	DIM 'C'	DIM 'D'	DIM 'E'
		CKT	TYPE	POL	CKT	TYPE	POL	CKT	TYPE	POL					
	34708-3000	16	0.64mm	B	16	0.64mm	A	12	0.64mm	B	79.52	77.05	22.86	22.86	17.78
	34708-3001	20	0.64mm	A	20	0.64mm	B	12	0.64mm	A	89.86	87.21	27.94	27.94	17.78
	34708-3002	20	0.64mm	A	20	0.64mm	B	14	HYBRID	C	99.84	97.37	27.94	27.94	27.94
	34708-3003	10	HYBRID	A	16	0.64mm	A	8	0.64mm	C	79.52	77.05	27.94	22.86	12.70
	34708-3004	16	0.64mm	A	16	0.64mm	B	16	0.64mm	C	84.60	82.13	22.86	22.86	22.86
	34708-3006	20	0.64mm	D	20	0.64mm	B	20	0.64mm	C	99.84	97.37	27.94	27.94	27.94
TBD	34708-3007	20	0.64mm	A	12	0.64mm	A	20	0.64mm	D	89.68	87.21	27.94	17.78	27.94
TBD	347083008	20	0.64mm	A	10	HYBRID	B	10	HYBRID	A	99.84	97.37	27.94	27.94	27.94
34708-8010	34708-3010	20	0.64mm	A	20	0.64mm	B	16	0.64mm	A	94.76	92.29	27.94	27.94	22.86
TBD	34708-3020	10	HYBRID	A	20	0.64mm	B	20	0.64mm	C	99.84	97.37	27.94	27.94	27.94
TBD	34708-3021	10	HYBRID	A	20	0.64mm	C	20	0.64mm	D	99.84	97.37	27.94	27.94	27.94
TBD	34708-3022	20	0.64mm	B	16	0.64mm	C	10	HYBRID	A	94.76	92.29	27.94	22.86	27.94
TBD	34708-3030	16	0.64mm	A	12	0.64mm	A	10	HYBRID	A	84.60	82.13	22.86	17.78	27.94
TBD	34708-3040	20	0.64mm	A	8	0.64mm	A	10	HYBRID	A	84.60	82.13	27.94	12.70	27.94
TBD	34708-3050	10	HYBRID	A	16	0.64mm	B	16	0.64mm	C	89.68	87.21	27.94	22.86	22.86
TBD	34708-3060	16	0.64mm	A	20	0.64mm	C	20	0.64mm	D	94.76	92.29	22.86	27.94	27.94
34708-8070	34708-3070	20	0.64mm	A	20	0.64mm	B	10	HYBRID	A	99.84	97.37	27.94	27.94	27.94
TBD	34708-3071	20	0.64mm	A	10	HYBRID	A	10	HYBRID	B	99.84	97.37	27.94	27.94	27.94
TBD	34708-3080	12	0.64mm	A	12	0.64mm	B	16	0.64mm	A	74.44	71.97	17.78	17.78	22.86
TBD	34708-3081	20	0.64mm	D	12	0.64mm	B	20	0.64mm	C	89.68	87.21	27.94	17.78	27.94
TBD	34708-3082	12	0.64mm	C	8	0.64mm	A	8	0.64mm	B	59.20	56.73	17.78	12.70	12.70
TBD	34708-3083	8	0.64mm	C	16	0.64mm	B	16	0.64mm	C	74.44	71.97	12.70	22.86	22.86
TBD	34708-3084	16	0.64mm	A	8	0.64mm	A	8	0.64mm	B	64.28	61.81	22.86	12.70	12.70
TBD	34708-3085	20	0.64mm	A	20	0.64mm	B	20	0.64mm	C	99.84	97.37	27.94	27.94	27.94
TBD	34708-3086	20	0.64mm	A	20	0.64mm	B	8	0.64mm	A	84.60	82.13	27.94	27.94	12.70
TBD	34708-3087	20	0.64mm	A	16	0.64mm	A	8	0.64mm	A	79.52	77.05	27.94	22.86	12.70
TBD	34708-3088	12	0.64mm	A	16	0.64mm	A	12	0.64mm	B	74.44	71.97	17.78	22.86	17.78
TBD	34708-3089	16	0.64mm	A	16	0.64mm	B	20	0.64mm	A	89.68	87.21	22.86	22.86	27.94
TBD	34708-3090	16	0.64mm	C	16	0.64mm	A	8	0.64mm	B	74.44	71.97	22.86	22.86	12.70
TBD	34708-3091	20	0.64mm	C	12	0.64mm	C	16	0.64mm	B	84.60	82.13	27.94	17.78	22.86
TBD	34708-3092	12	0.64mm	B	8	0.64mm	C	20	0.64mm	D	74.44	71.97	17.78	12.70	27.94
TBD	34708-3093	16	0.64mm	B	16	0.64mm	A	8	0.64mm	A	74.44	71.97	22.86	22.86	12.70
TBD	34708-3094	20	0.64mm	D	20	0.64mm	B	8	0.64mm	A	84.60	82.13	27.94	27.94	12.70
TBD	34708-3095	20	0.64mm	A	16	0.64mm	C	12	0.64mm	B	84.60	82.13	27.94	22.86	17.78
TBD	34708-3096	16	0.64mm	A	16	0.64mm	B	20	0.64mm	C	89.68	87.21	22.86	22.86	27.94
TBD	34708-3097	16	0.64mm	C	12	0.64mm	B	20	0.64mm	A	84.60	82.13	22.86	17.78	27.94
TBD	34708-3098	20	0.64mm	B	20	0.64mm	C	20	0.64mm	D	99.84	97.37	27.94	27.94	27.94

SYMBOLS	THIS DRAWING CONTAINS INFORMATION THAT IS PROPRIETARY TO MOLEX ELECTRONIC TECHNOLOGIES, LLC AND SHOULD NOT BE USED WITHOUT WRITTEN PERMISSION	
	DIMENSION UNITS	SCALE
▽ = 0	mm	1:1
▽ = 0	GENERAL TOLERANCES (UNLESS SPECIFIED)	
▽ = 0	ANGULAR TOL ± 1.0°	
▽ = 0	4 PLACES	±
▽ = 0	3 PLACES	±
▽ = 0	2 PLACES	± 0.13
▽ = 0	1 PLACE	± 0.25
▽ = 0	0 PLACES	±
■ = 0	DRAFT WHERE APPLICABLE MUST REMAIN WITHIN DIMENSIONS	
▽ = 0	THIRD ANGLE PROJECTION	DRAWING
	D-SIZE	SERIES
	34708	
CURRENT REV DESC:		
EC NO: 612618		
DRWN: SHANDITHAVAL 2019/02/22		
CHK'D: RBAUMAN 2019/02/23		
APPR: RBAUMAN 2019/02/23		
INITIAL REVISION:		
DRWN: JDUNAJ 2009/03/10		
APPR: SMARCEAU 2009/03/11		
DOCUMENT NUMBER	DOC TYPE	DOC PART
SD-34708-300	PSD	001
REVISION		
U8		
MATERIAL NUMBER	CUSTOMER	SHEET NUMBER
	GENERAL MARKET	2 OF 6

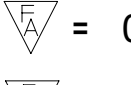
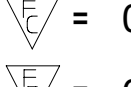
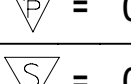

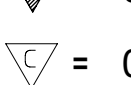
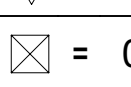

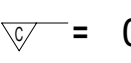
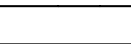



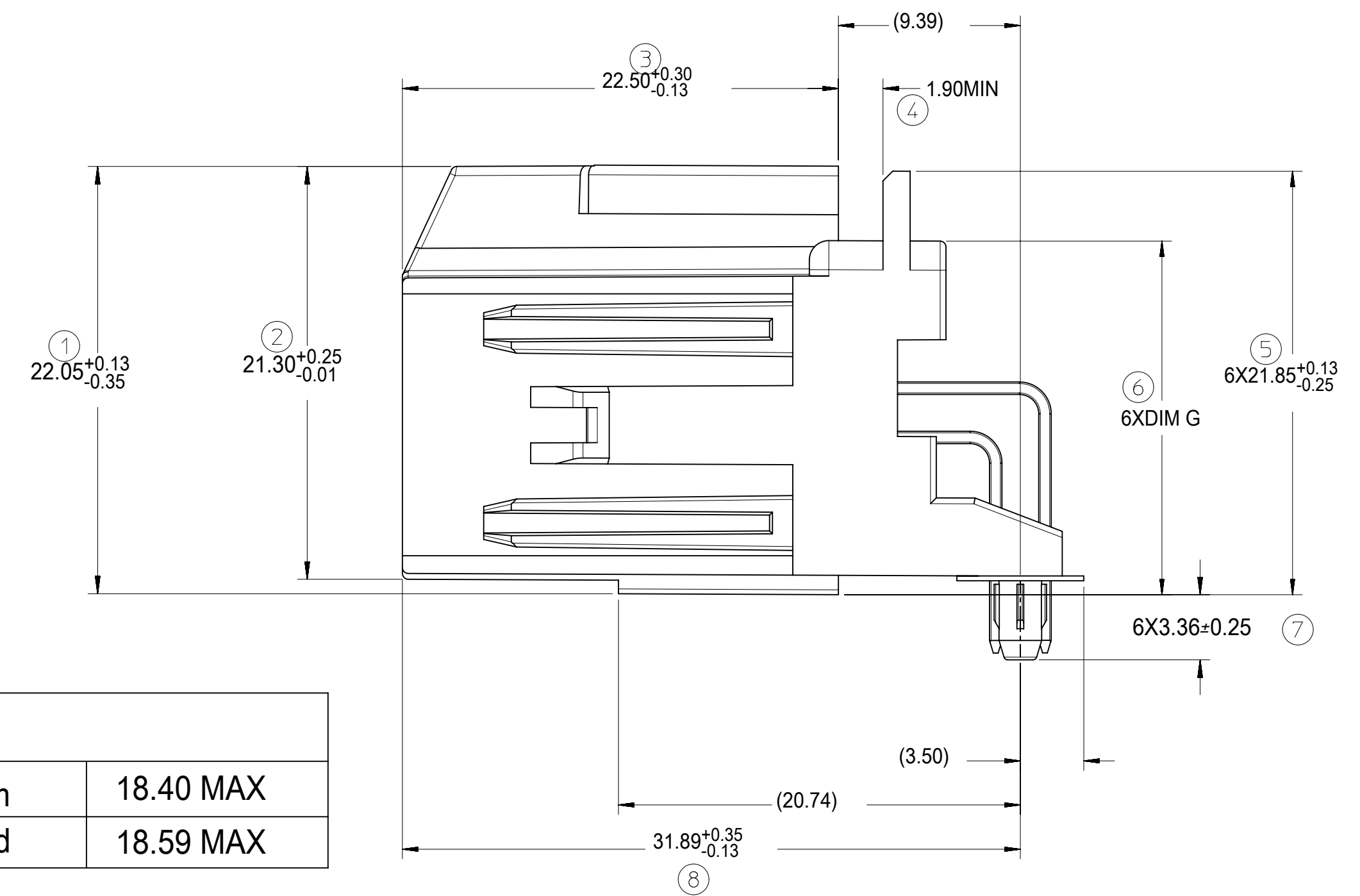
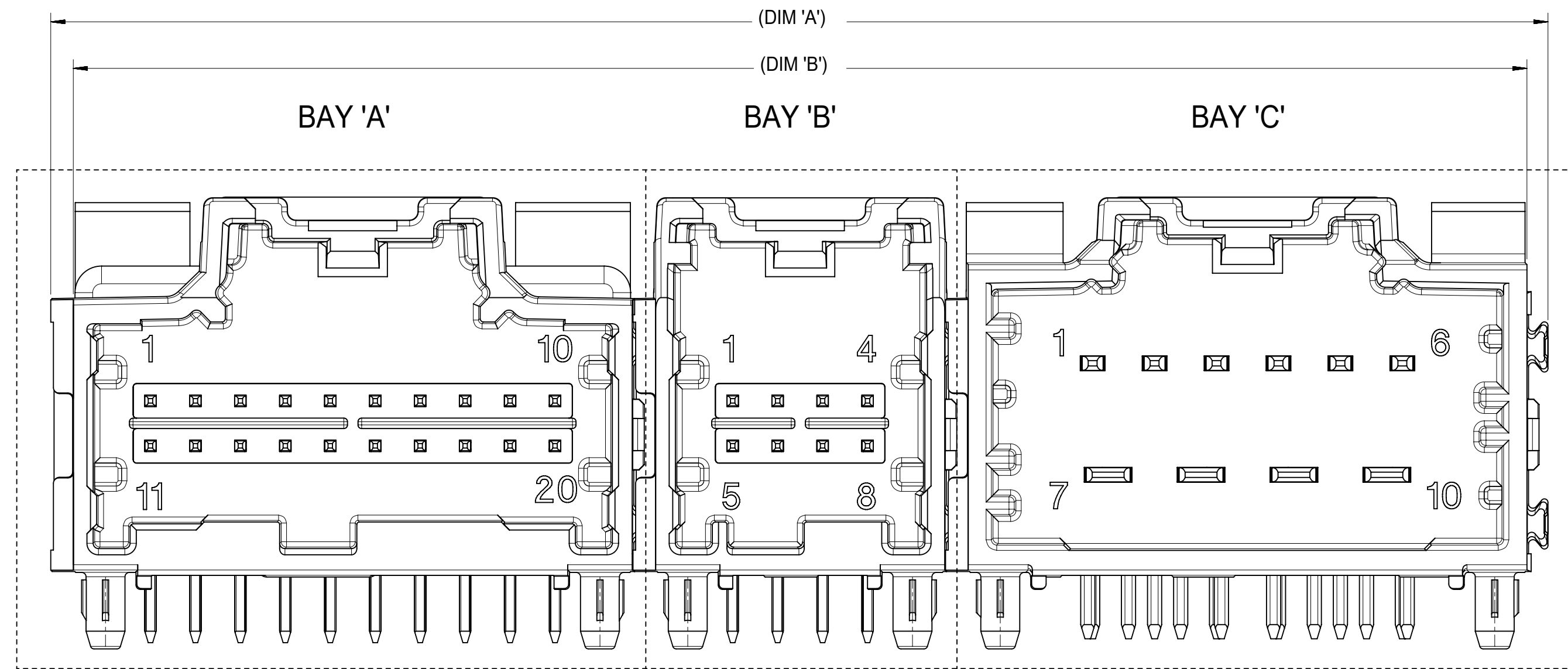
3-BAY STAC64 RIGHT ANGLE HEADER ASSEMBLY SALES DRAWING

PRODUCT CUSTOMER DRAWING

DIMENSIONAL CHART FOR MULTIBAY CONFIGURATION:

3 BAY PART NUMBER (TUBE PKG)	3 BAY PART NUMBER (TRAY PKG)	BAY A			BAY B			BAY C			DIM 'A'	DIM 'B'	DIM 'C'	DIM 'D'	DIM 'E'
		CKT	TYPE	POL	CKT	TYPE	POL	CKT	TYPE	POL					
	34708-3099	10	HYBRID	A	20	0.64mm	D	10	HYBRID	B	99.84	97.37	27.94	27.94	27.94

SYMBOLS	THIS DRAWING CONTAINS INFORMATION THAT IS PROPRIETARY TO MOLEX ELECTRONIC TECHNOLOGIES, LLC AND SHOULD NOT BE USED WITHOUT WRITTEN PERMISSION																	
	 = 0	DIMENSION UNITS	SCALE	CURRENT REV DESC:							molex							
	 = 0	mm	1:1	EC NO: 612618														
	 = 0	GENERAL TOLERANCES (UNLESS SPECIFIED)			DRWN: SHANDITHAVAL 2019/02/22							3-BAY STAC64 RIGHT ANGLE HEADER ASSEMBLY SALES DRAWING						
	 = 0	ANGULAR TOL ± 1.0°			CHK'D: RBAUMAN 2019/02/23													
	 = 0	4 PLACES ±			APPR: RBAUMAN 2019/02/23							PRODUCT CUSTOMER DRAWING						
	 = 0	3 PLACES ±			INITIAL REVISION:							DOCUMENT NUMBER						
	 = 0	2 PLACES ± 0.13			DRWN: JDUNAJ 2009/03/10							SD-34708-300						
	 = 0	1 PLACE ± 0.25			APPR: SMARCEAU 2009/03/11							PSD 001 U8						
	 = 0	0 PLACES ±			DRAFT WHERE APPLICABLE MUST REMAIN WITHIN DIMENSIONS			THIRD ANGLE PROJECTION		DRAWING		SERIES		MATERIAL NUMBER		CUSTOMER		SHEET NUMBER
= 0								D-SIZE		34708		GENERAL MARKET		6 OF 6				

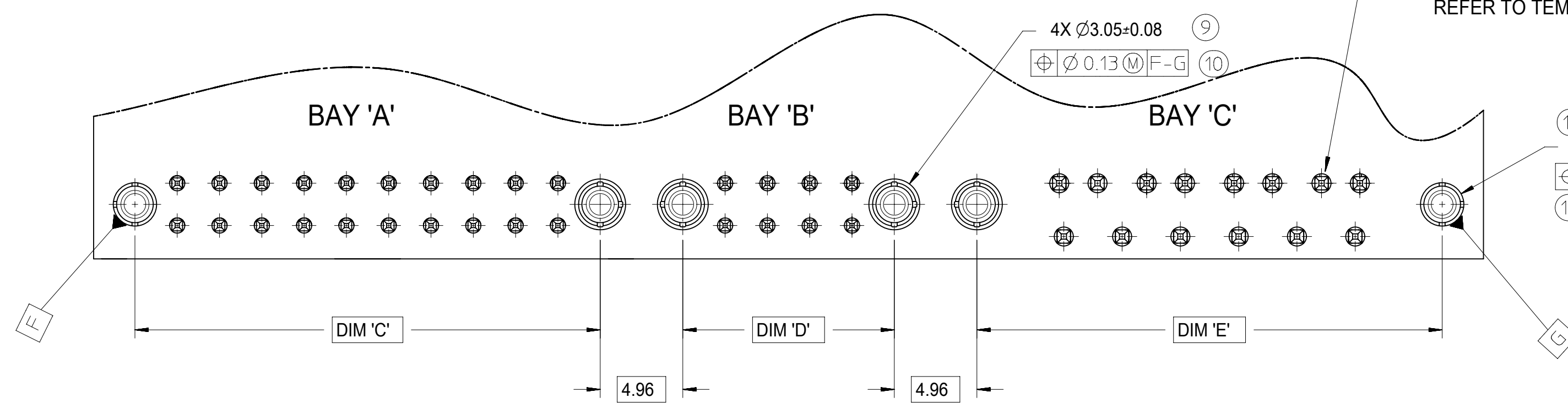


FOR DIM G:	
8-20CKT 0.64mm	18.40 MAX
10/14CKT Hybrid	18.59 MAX

RECOMMENDED PCB LAYOUT

INSERT NECESSARY BAYS USING CHART ON SHEET 2

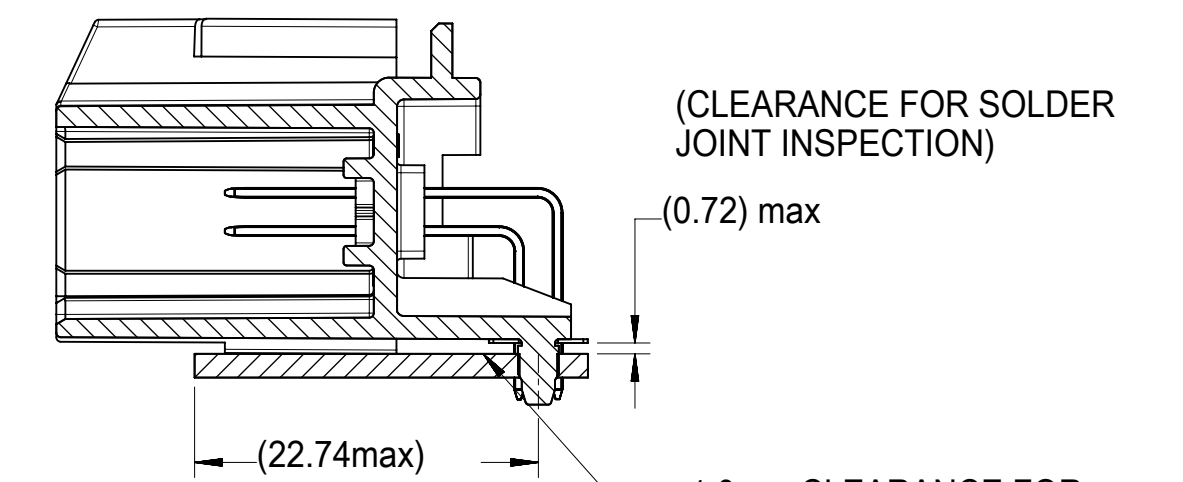
FOR PIN LOCATION,
REFER TO TEMPLATES ON SHEET 5



POST HOLE TABLE:

FOR DIM Z:	
PRESS FIT:	2.60
DROP IN:	3.05

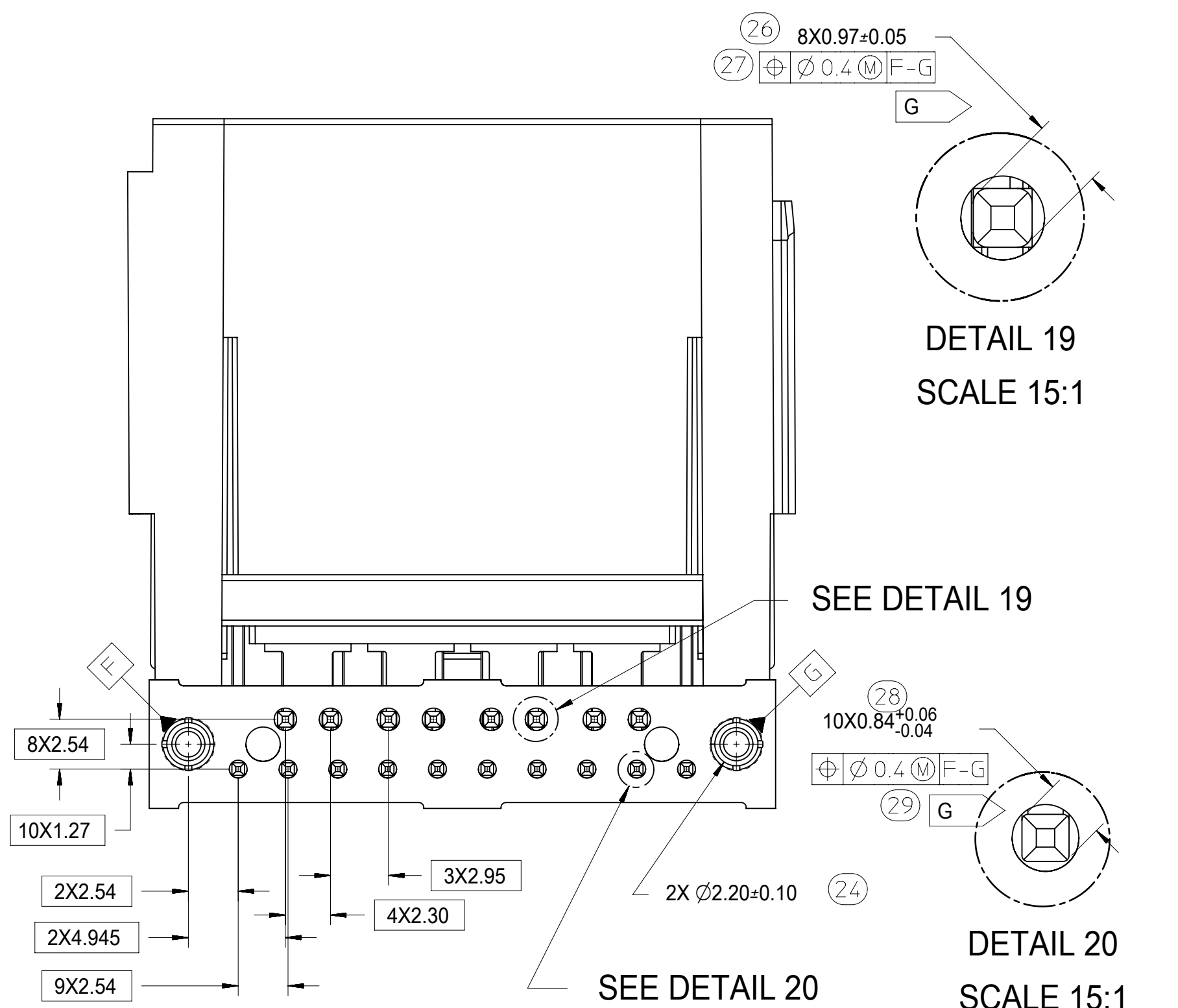
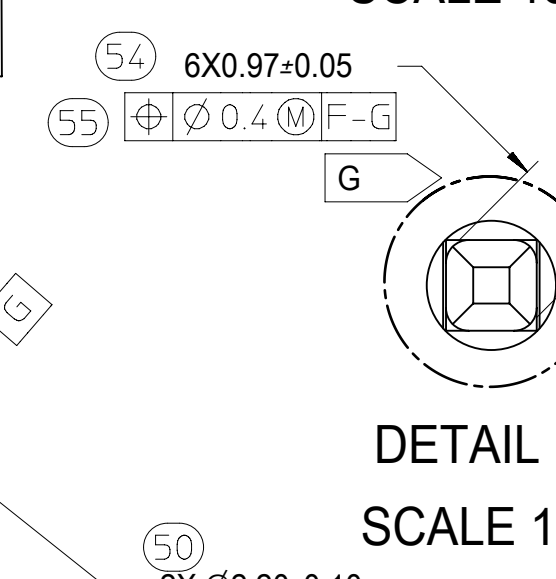
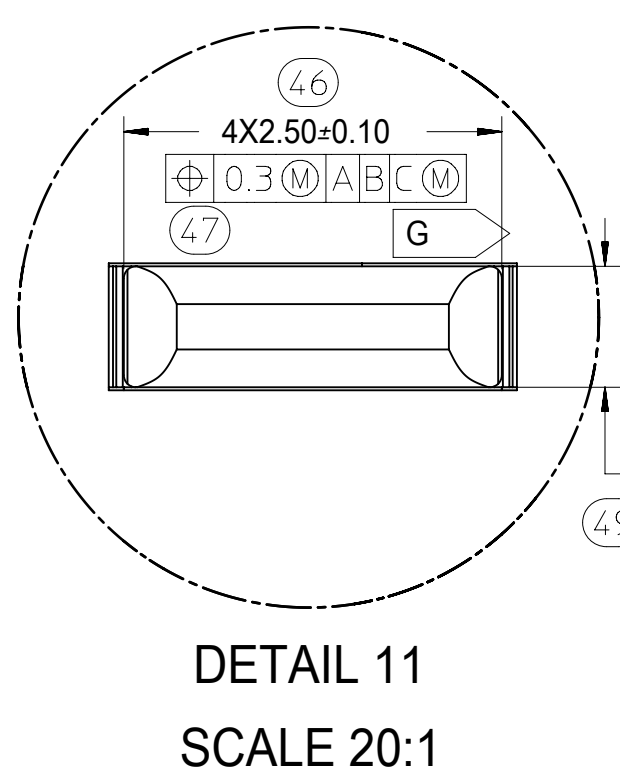
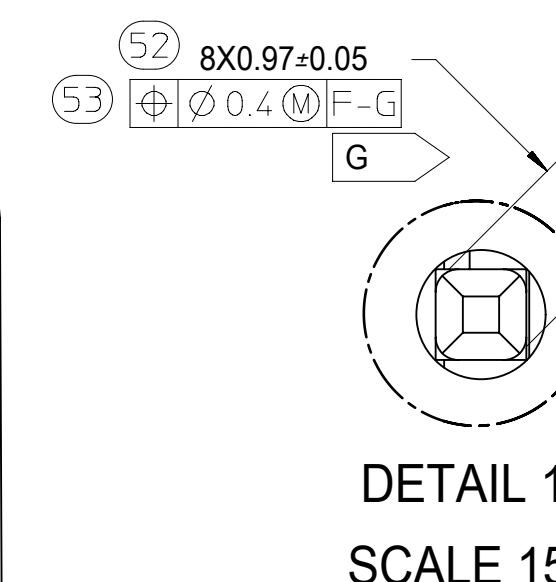
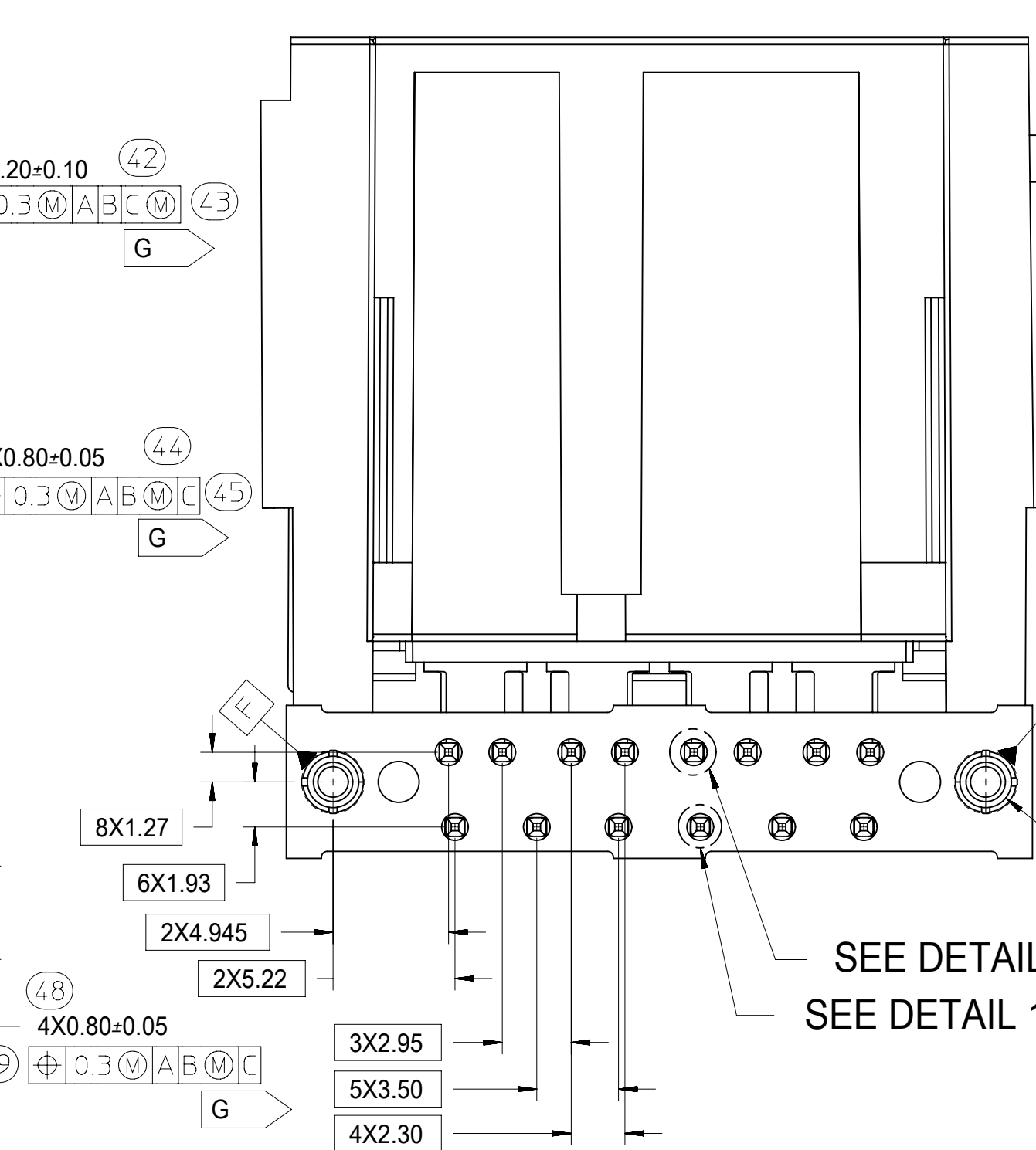
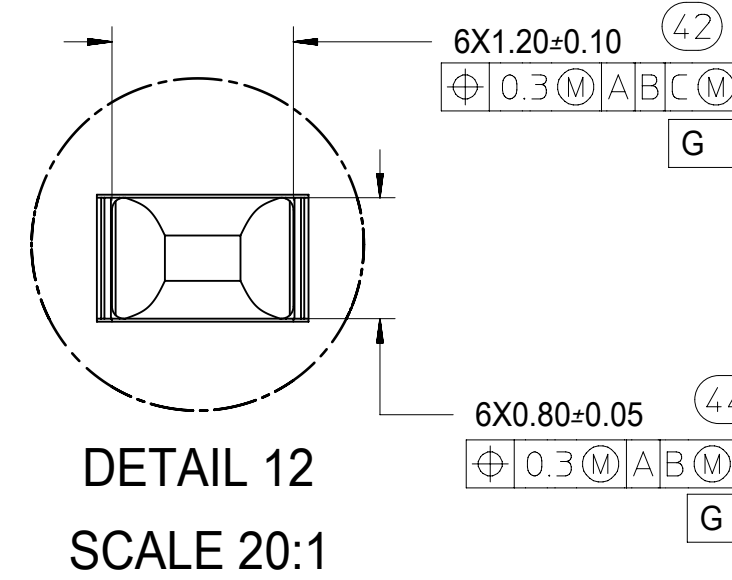
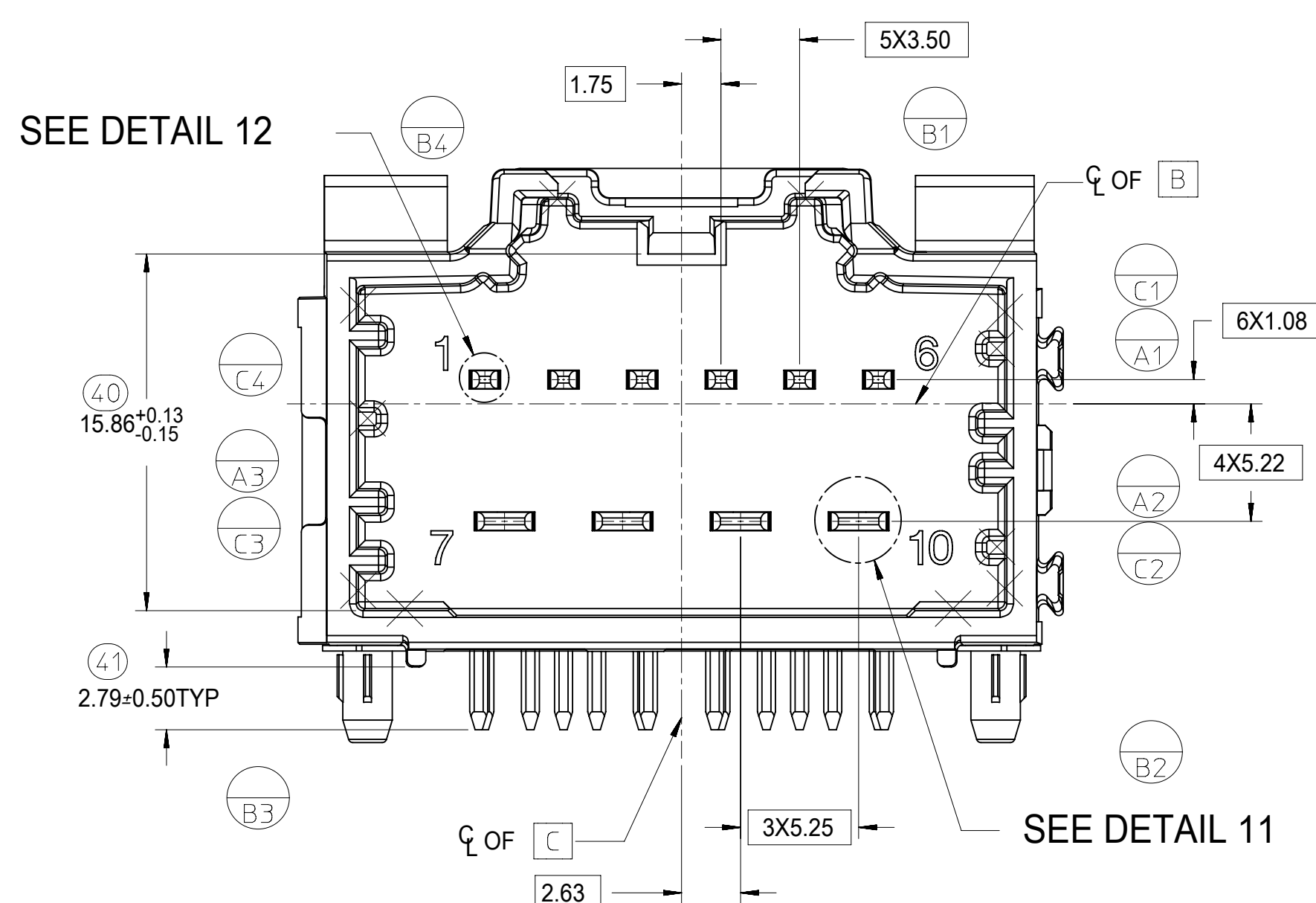
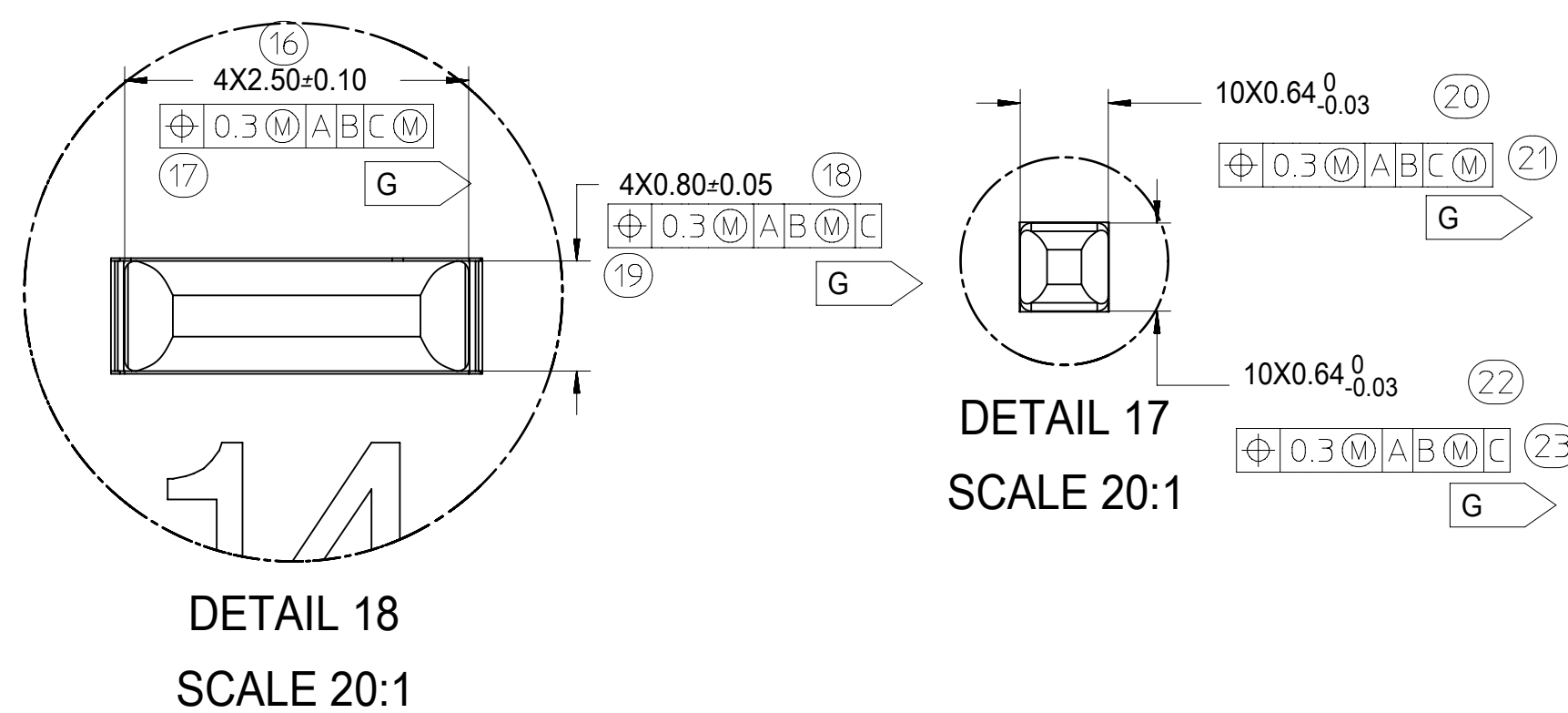
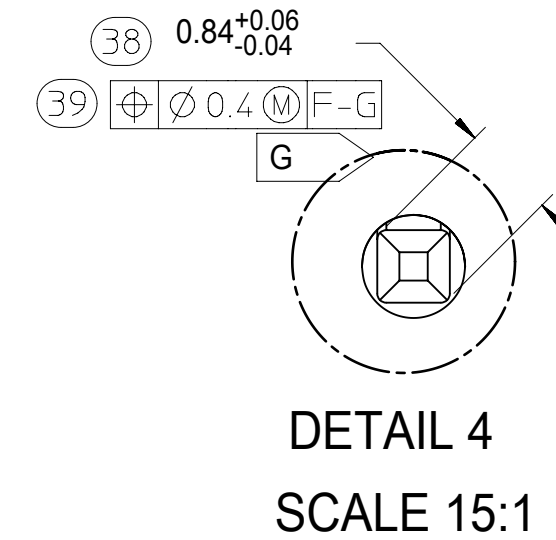
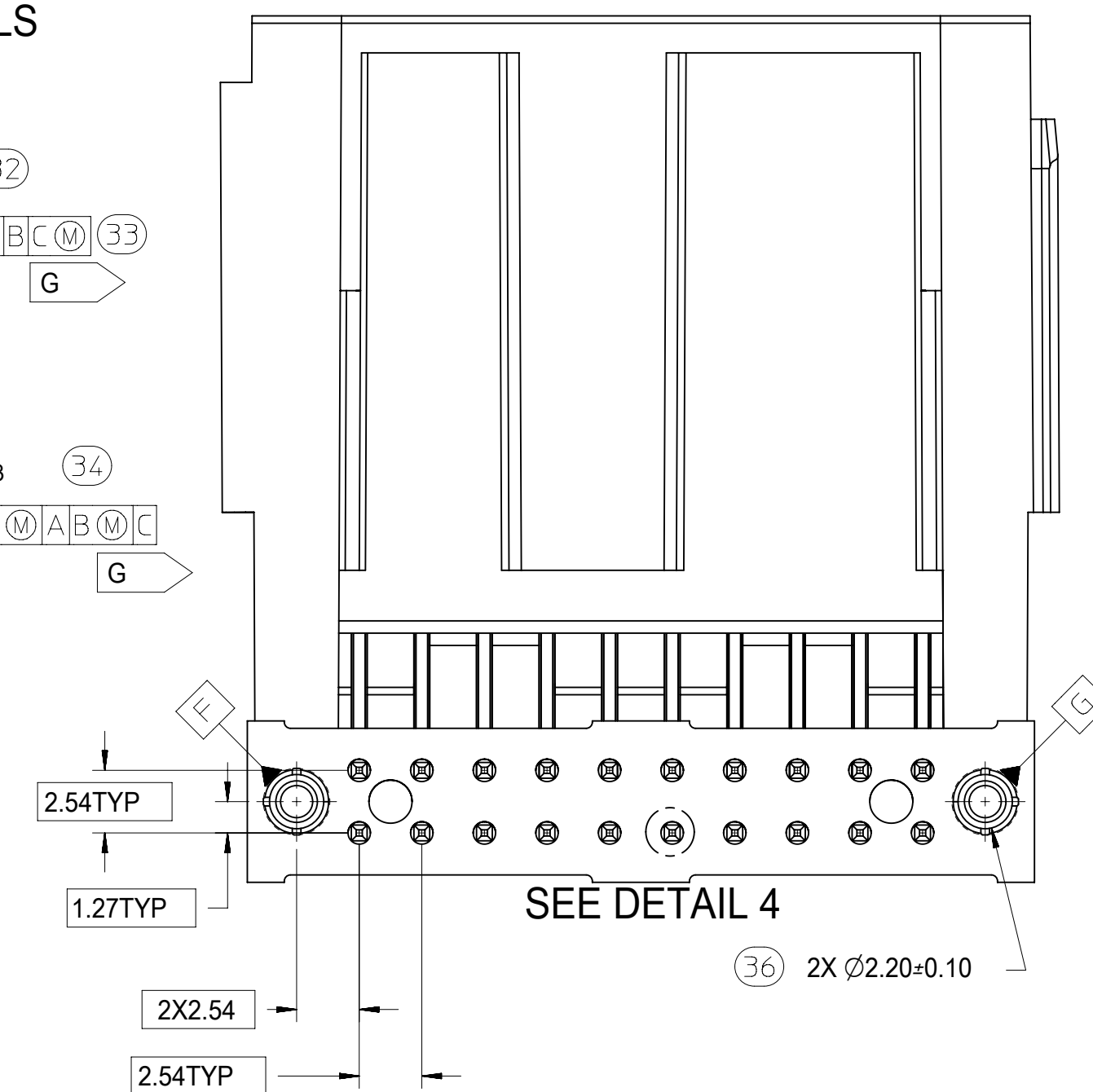
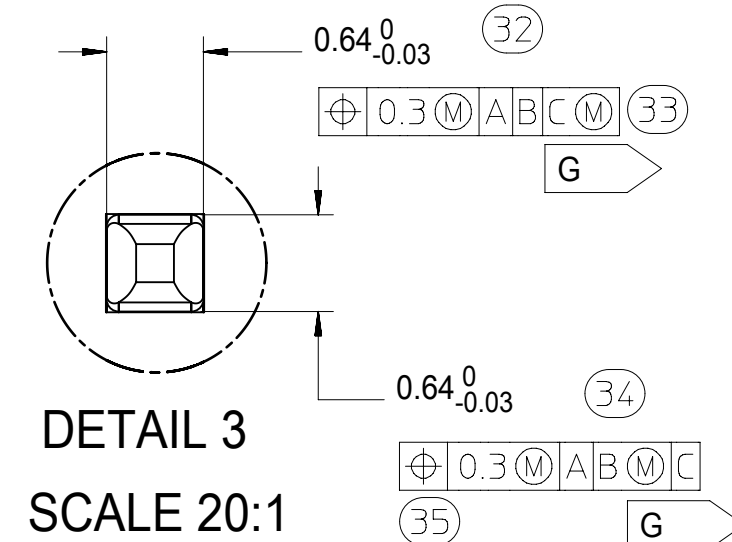
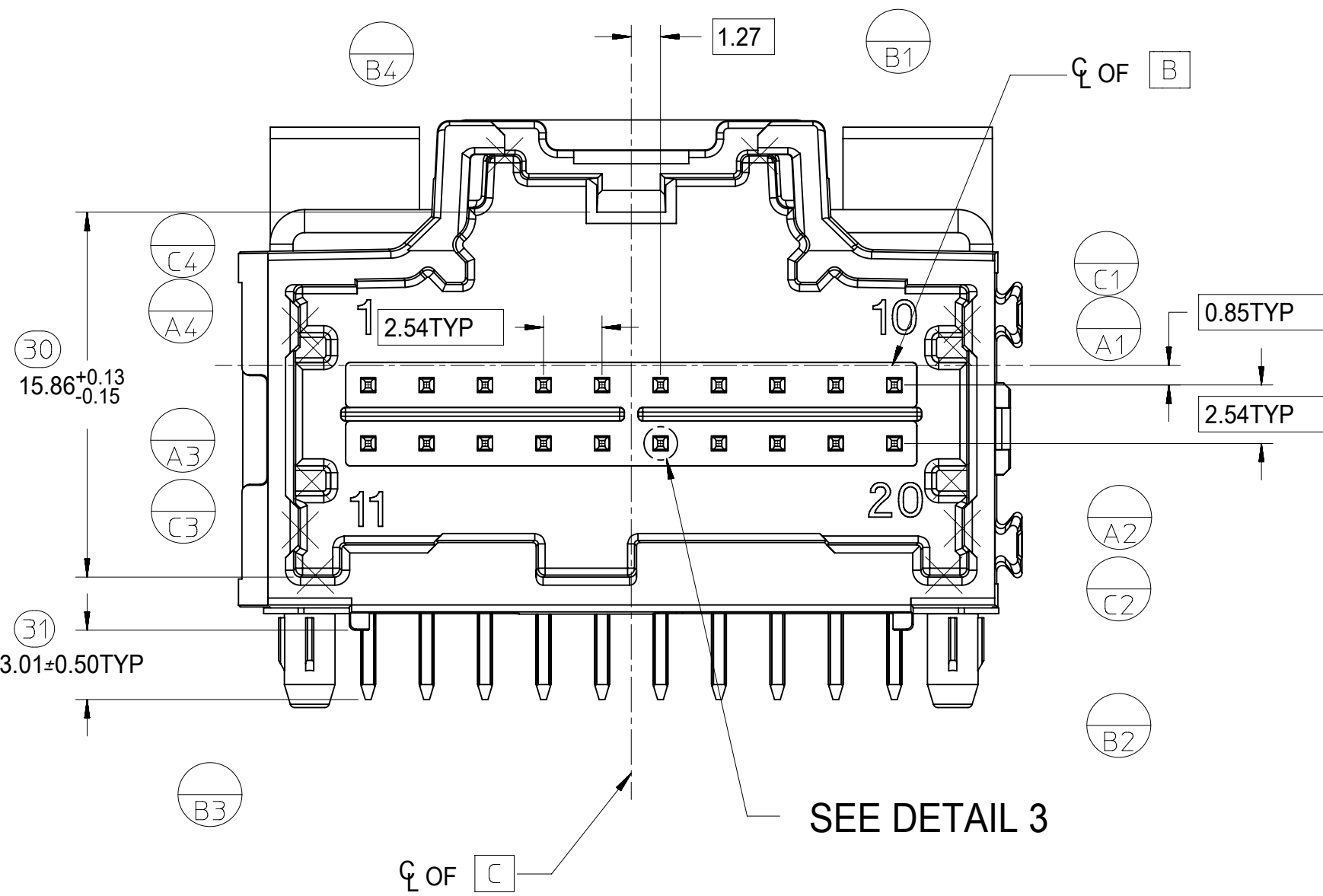
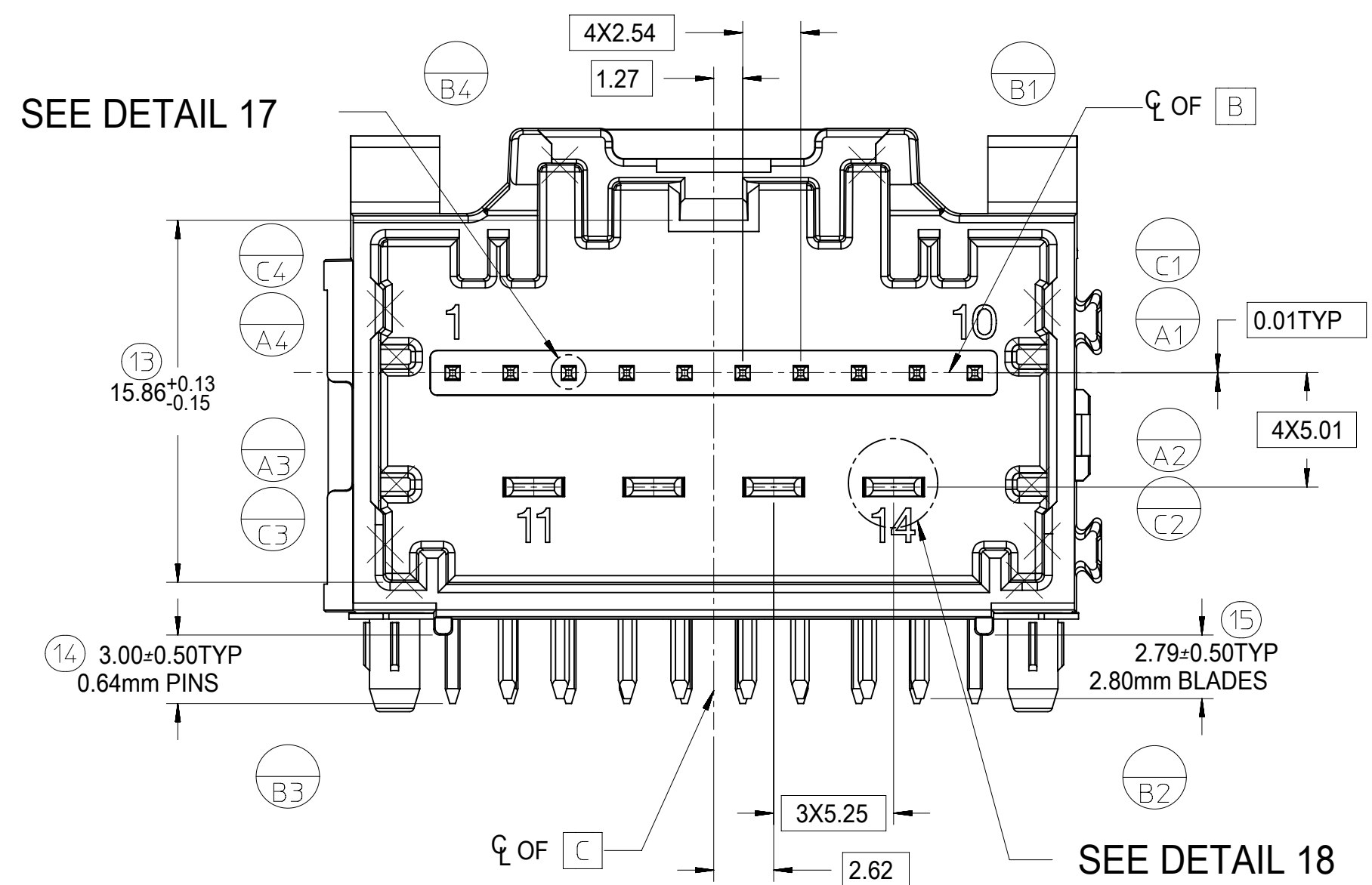
ALL CIRCUIT SIZES



FLUSH MOUNTING:
HEADER-TO-PCB
SCALE 2:1

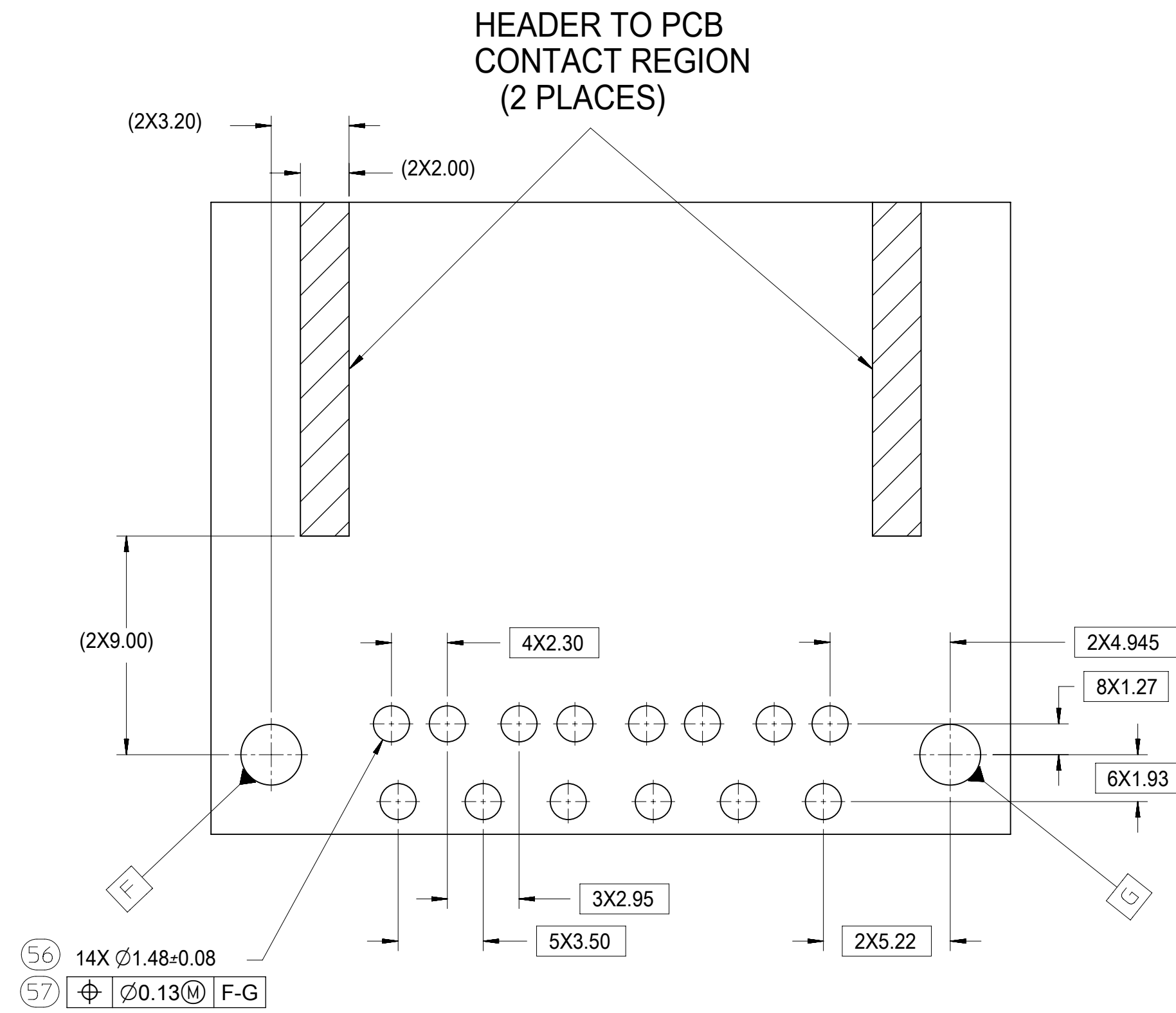
SYMBOLS: THIS DRAWING CONTAINS INFORMATION THAT IS PROPRIETARY TO MOLEX ELECTRONIC TECHNOLOGIES, LLC AND SHOULD NOT BE USED WITHOUT WRITTEN PERMISSION						molex 3-BAY STAC64 RIGHT ANGLE HEADER ASSEMBLY SALES DRAWING PRODUCT CUSTOMER DRAWING							
DIMENSION UNITS: mm SCALE: 1:1 GENERAL TOLERANCES (UNLESS SPECIFIED): ANGULAR TOL ± 1.0° 4 PLACES ± 3 PLACES ± 2 PLACES ± 0.13 1 PLACE ± 0.25 0 PLACES ±												CURRENT REV DESC: EC NO: 612618 DRWN: SHANDITHAVAL 2019/02/22 CHK'D: RBAUMAN 2019/02/23 APPR: RBAUMAN 2019/02/23 INITIAL REVISION: DRWN: JDUNAJ 2009/03/10 APPR: SMARCEAU 2009/03/11	
DRAFT WHERE APPLICABLE MUST REMAIN WITHIN DIMENSIONS						THIRD ANGLE PROJECTION		DRAWING: D-SIZE		SERIES: 34708		DOCUMENT NUMBER: SD-34708-300 DOC TYPE: PSD DOC PART: 001 REVISION: U8	
MATERIAL NUMBER: GENERAL MARKET						SHEET NUMBER: 3 OF 6							

8-20 CKT 0.64mm HEADER DETAILS

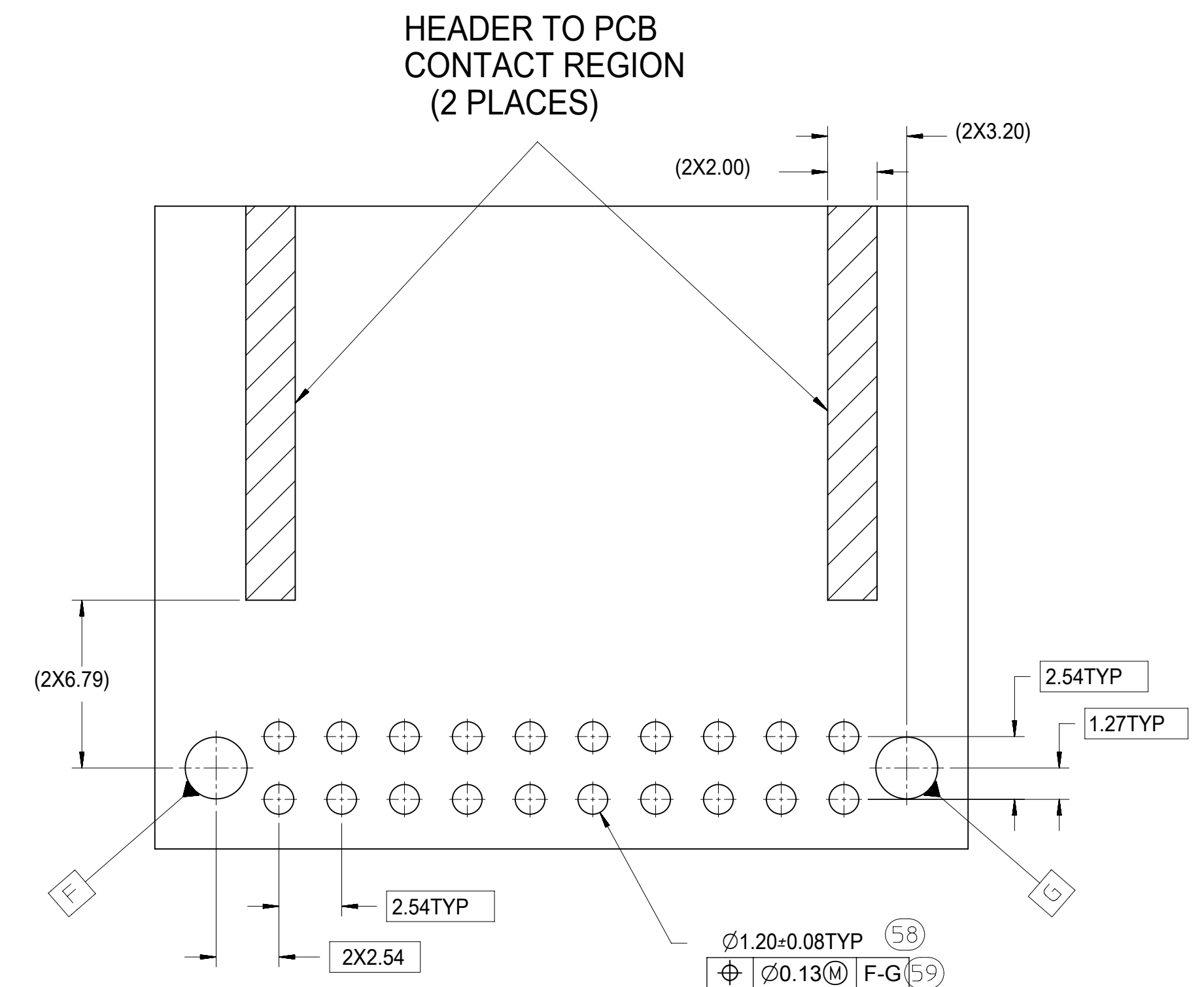


SYMBOLS	THIS DRAWING CONTAINS INFORMATION THAT IS PROPRIETARY TO MOLEX ELECTRONIC TECHNOLOGIES, LLC AND SHOULD NOT BE USED WITHOUT WRITTEN PERMISSION		CURRENT REV DESC:	
	DIMENSION UNITS	SCALE		
▽ = 0	mm	1:1		
▽ = 0	GENERAL TOLERANCES (UNLESS SPECIFIED)			
▽ = 0	ANGULAR TOL ± 1.0°			
▽ = 0	4 PLACES ±			
▽ = 0	3 PLACES ±			
▽ = 0	2 PLACES ± 0.13			
▽ = 0	1 PLACE ± 0.25			
▽ = 0	0 PLACES ±			
■ = 0	DRAFT WHERE APPLICABLE MUST REMAIN WITHIN DIMENSIONS		THIRD ANGLE PROJECTION	DRAWING SERIES
▽ = 0			D-SIZE	34708
EC NO: 612618			2019/02/22	
DRWN: SHANDITHAVAL			2019/02/23	
CHK'D: RBAUMAN			2019/02/23	
APPR: RBAUMAN			2019/02/23	
INITIAL REVISION:				
DRWN: JDUNAJ			2019/03/10	
APPR: SMARCEAU			2019/03/11	
DOCUMENT NUMBER		DOC TYPE	DOC PART	REVISION
SD-34708-300		PSD	001	U8
MATERIAL NUMBER		CUSTOMER		SHEET NUMBER
		GENERAL MARKET		4 OF 6

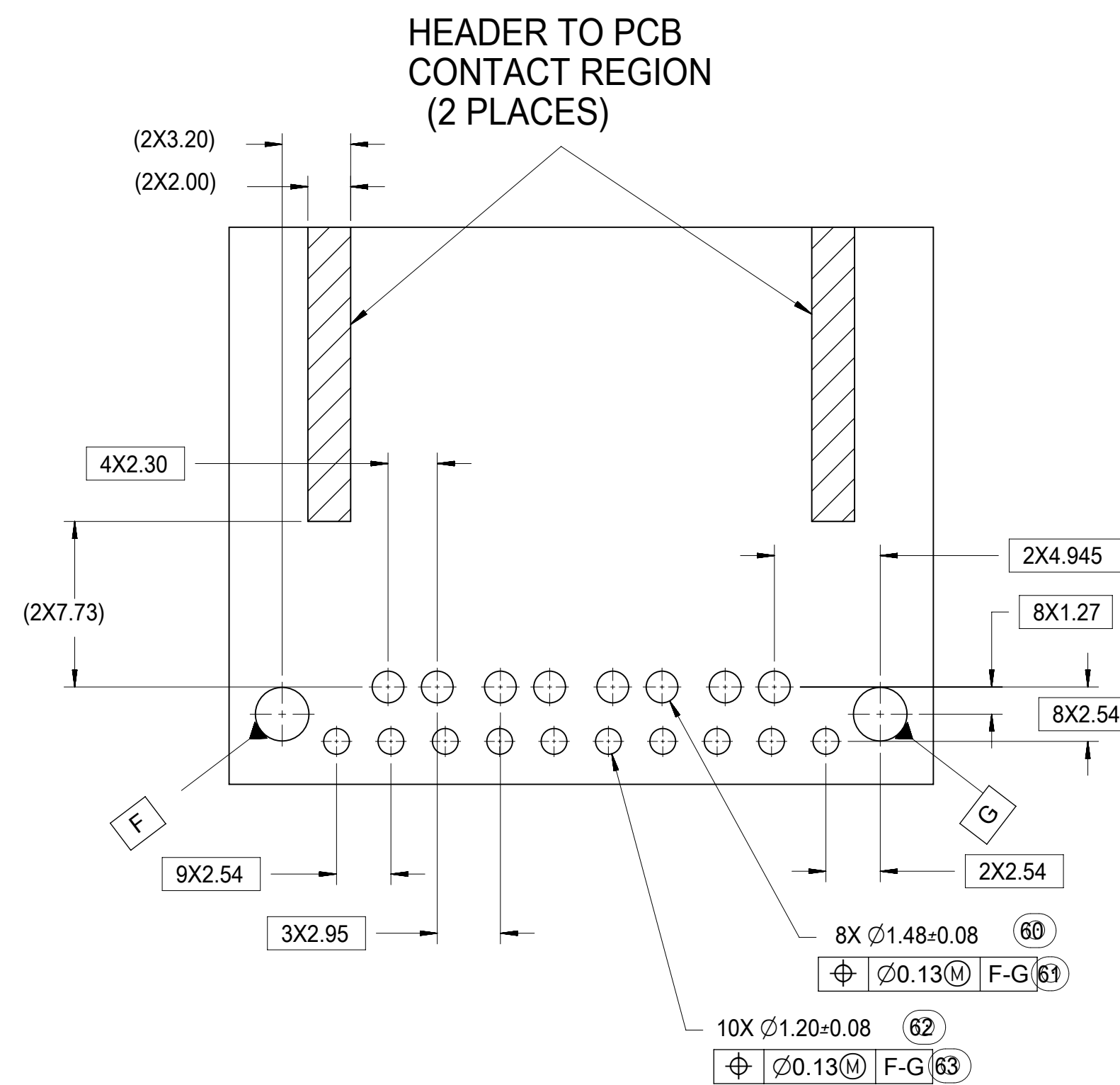
10 CKT HYBRID TEMPLATE PCB LAYOUT



8-20 CKT 0.64mm TEMPLATE PCB LAYOUT



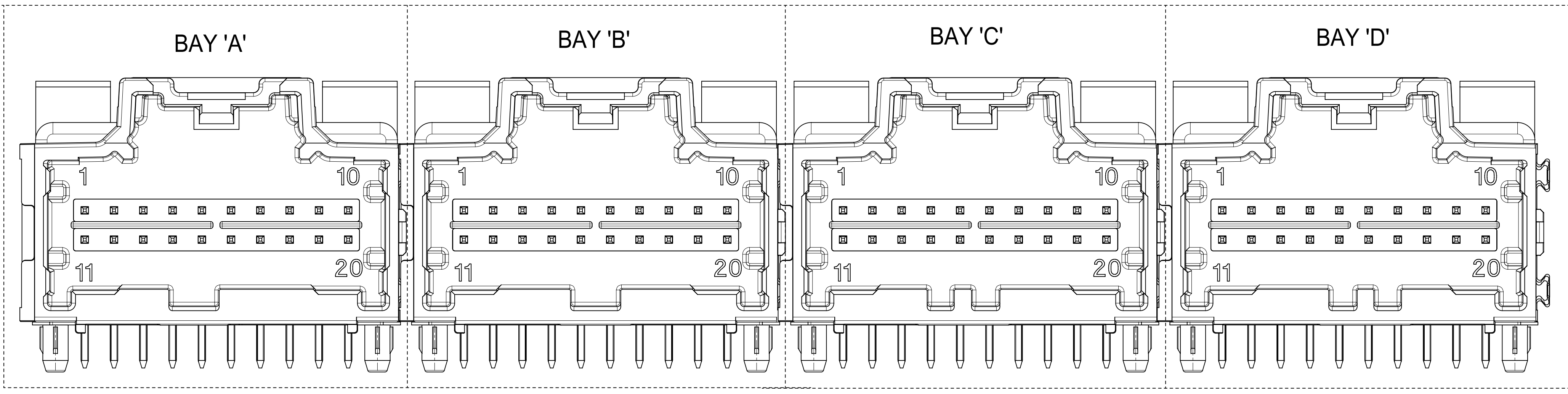
14 CKT HYBRID TEMPLATE PCB LAYOUT



SYMBOLS	THIS DRAWING CONTAINS INFORMATION THAT IS PROPRIETARY TO MOLEX ELECTRONIC TECHNOLOGIES, LLC AND SHOULD NOT BE USED WITHOUT WRITTEN PERMISSION		
	DIMENSION UNITS	SCALE	CURRENT REV DESC:
$\nabla = 0$	mm	1:1	
$\nabla = 0$	GENERAL TOLERANCES (UNLESS SPECIFIED)		
$\nabla = 0$	ANGULAR TOL	$\pm 1.0^\circ$	
$\nabla = 0$	4 PLACES	\pm	
$\nabla = 0$	3 PLACES	\pm	
$\nabla = 0$	2 PLACES	± 0.13	
$\nabla = 0$	1 PLACE	± 0.25	
$\nabla = 0$	0 PLACES	\pm	
$\nabla = 0$	DRAFT WHERE APPLICABLE MUST REMAIN WITHIN DIMENSIONS		
$\nabla = 0$	THIRD ANGLE PROJECTION	DRAWING	SERIES
		D-SIZE	34708
EC NO: 612618		DRWN: SHANDITHAVAL	2019/02/22
DRWN: RBAUMAN		2019/02/23	
APPR: RBAUMAN		2019/02/23	
INITIAL REVISION:		DRWN: JDUNAJ	2009/03/10
		APPR: SMARCEAU	2009/03/11
DOCUMENT NUMBER		DOC TYPE	DOC PART
SD-34708-300		PSD	001
REVISION		U8	
MATERIAL NUMBER		CUSTOMER	SHEET NUMBER
		GENERAL MARKET	5 OF 6

TABLE OF CONTENTS	
1	NOTES, INSPECTION BALLOON NUMBER LOG, REV. TABLE, 4 BAY ASSEMBLY VIEW
2	DIMENSIONAL CHART FOR MULTIBAY CONFIGURATION
3	4 BAY ASSEMBLY VIEW, RECOMMENDED PCB LAYOUT, FLUSH MOUNTING VIEW, POST HOLE TABLE, DIMENSION DETAILS
4	8-20CKT 0.64MM HEADER DETAILS, 14CKT HYBRID HEADER DETAILS, 10CKT HYBRID HEADER DETAILS
5	RECOMMENDED SINGLE PCB LAYOUT FOR 10CKT HYBRID, 14CKT HYBRID, AND 8-20CKT 0.64MM

4 BAY STAC64 RIGHT ANGLE HEADER ASSEMBLY (P/N: 34708-4000 SHOWN)



(P1) NOTES: VALID UNLESS OTHERWISE SPECIFIED

1. GENERAL:
 - a. CONNECTOR HEADER MUST BE VALIDATED TO THE FOLLOWING FUNCTIONAL REQUIREMENTS:

PRODUCT SPECIFICATION:
 8-20 CKT 0.64 PRODUCT SPEC: PS-34729-020/PS-31408-100
 10 CKT HYBRID PRODUCT SPEC: PS-31372-100
 14 CKT HYBRID PRODUCT SPEC: PS-34969-100
 - b. APPLICATION REQUIREMENTS (REFERENCE ONLY):

APPLICATION SPECIFICATION: AS-34729-020/AS-31408-100
 - c. PACKAGING SPECIFICATION PER MOLEX DRAWING PK-31300-892 (TRAY)
 - d. PACKAGING SPECIFICATION PER MOLEX DRAWING PK-31301-063 (TUBE)
 - e. PACKAGING SPECIFICATION PER MOLEX DRAWING PK-31300-894 (ALT TRAY)
2. DESIGN: MATERIALS:
 - a. SHROUD (PLASTIC HOUSING):
RESIN - SPS
 - b. 0.64mm PINS:
BASE MATERIAL: COPPER ALLOY
PLATING TYPE: AS NOTED
 - 1.50/2.80mm BLADES:
BASE MATERIAL: COPPER ALLOY
PLATING TYPE: AS NOTED
3. PLATING REQUIREMENTS:
 - a. UNDERPLATING - OVERALL NICKEL
 - b. OVERPLATING - OVERALL TIN
4. FOR DESCRIPTION OF INDIVIDUAL BAYS, REFER TO THE FOLLOWING SINGLE BAY DRAWINGS:
 8-20 CKT 0.64: SD-34691-100
 10 CKT HYBRID: SD-34696-100
 14 CKT HYBRID: SD-34773-100
5. **G** DENOTES DIMENSIONS THAT MAY BE QUALIFIED WITH A GAUGE.

INSPECTION BALLOON NUMBER LOG	
PER DRAWING REVISION:	P1
LAST BALLOON NUMBER USED:	55
ADDED BALLOON NUMBERS:	
REMOVED BALLOON NUMBERS:	9, 10, 11, 12, 56, 57, 58, 59, 60, 61, 62, 63

FUNCTIONAL SYMBOLS	DIMENSION UNITS	SCALE
$\nabla_A = 0$	mm	4:1
$\nabla_C = 0$	GENERAL TOLERANCES (UNLESS SPECIFIED)	
$\nabla_D = 0$	ANGULAR TOL $\pm 1.0^\circ$	
	4 PLACES	\pm
	3 PLACES	\pm
	2 PLACES	± 0.13
	1 PLACE	± 0.25
	0 PLACES	\pm
	DRAFT WHERE APPLICABLE MUST REMAIN WITHIN DIMENSIONS	

REV.	REV DESCRIPTION	EC#	DATE
P1	1. UPDATED NOTES 2. ADDED NEW P/N 34708-4021 IN SHEET 2	660202	2021.05

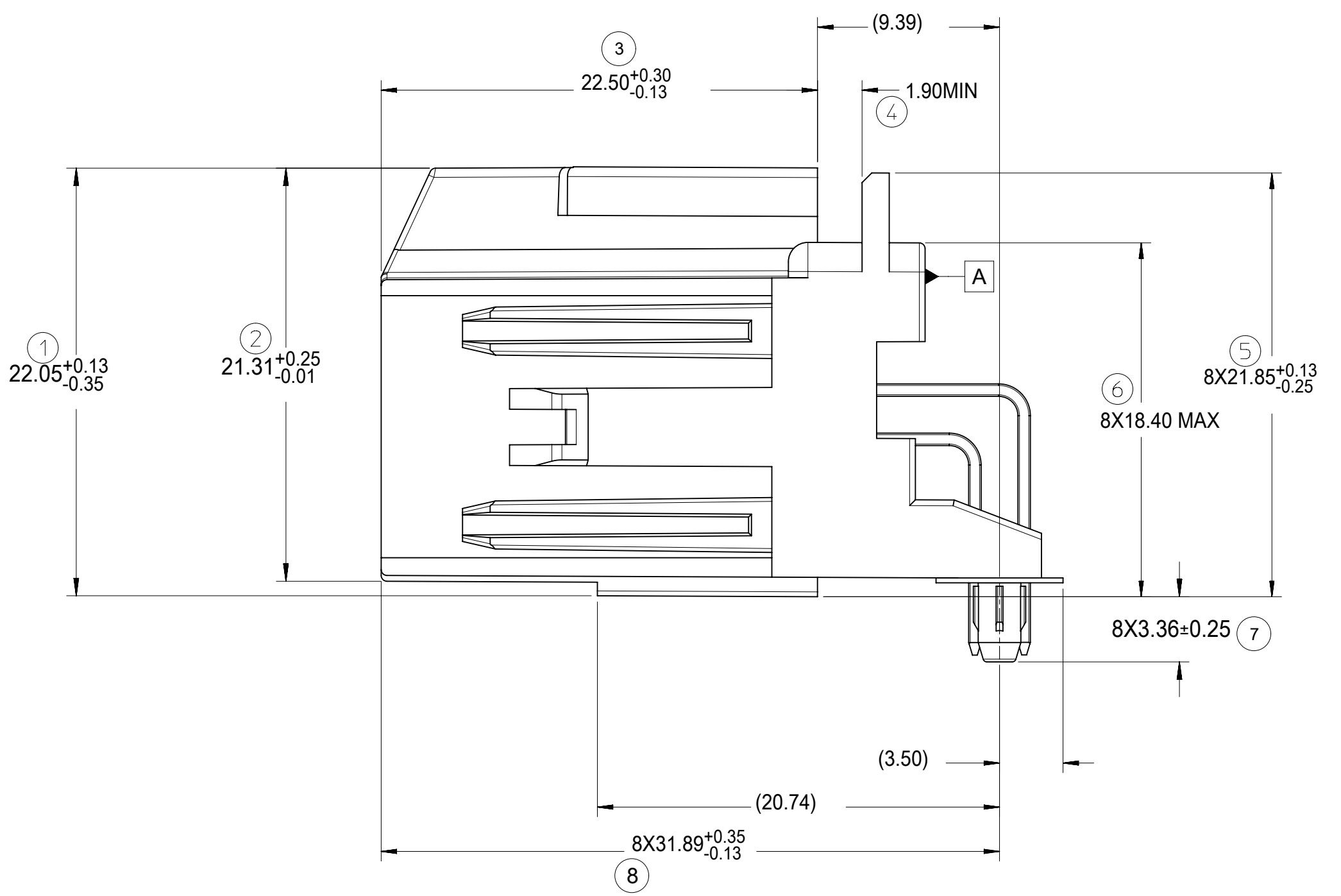
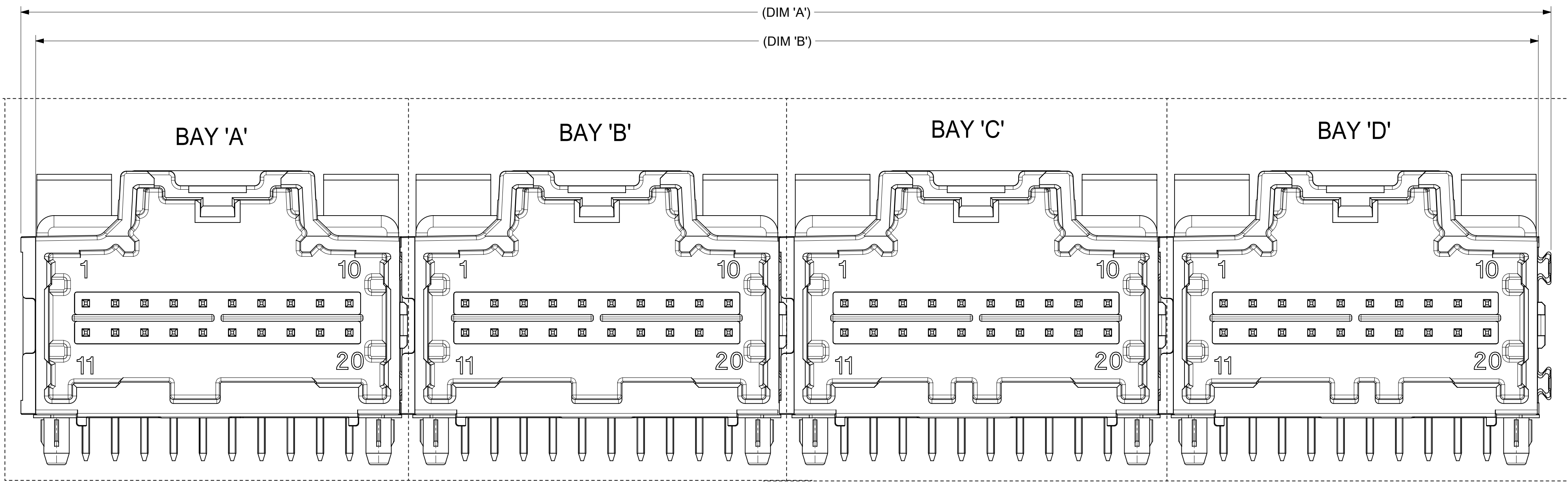
THIS DRAWING CONTAINS INFORMATION THAT IS PROPRIETARY TO MOLEX ELECTRONIC TECHNOLOGIES, LLC AND SHOULD NOT BE USED WITHOUT WRITTEN PERMISSION			
CURRENT REV DESC:			
EC NO: 660202		2021/02/04	
DRWN: CZHANG118		2021/04/09	
CHK'D: CZHANG118		2021/05/18	
APPR: JDENG02			
INITIAL REVISION:			
DRWN: VDANIELE		2008/11/14	
APPR: SMARCEAU		2008/11/14	
THIRD ANGLE PROJECTION		DRAWING	
D-SIZE		SERIES	
MATERIAL NUMBER		CUSTOMER	
SD-34708-400		GENERAL MARKET	
DOC TYPE		DOC PART	
PSD		001	
REVISION		P1	
SHEET NUMBER		1 OF 5	

DIMENSIONAL CHART FOR MULTIBAY CONFIGURATION

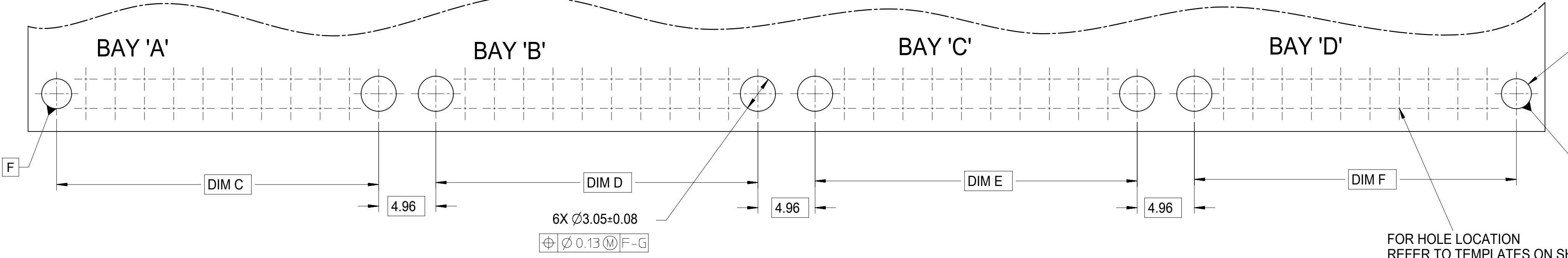
4 BAY PART NUMBER (ALT TRAY)	4 BAY PART NUMBER (TUBE PKG)	4 BAY PART NUMBER (TRAY PKG)	BAY A			BAY B			BAY C			BAY D			DIM 'A'	DIM 'B'	DIM 'C'	DIM 'D'	DIM 'E'	DIM 'F'
			CKT	TYPE	POL	CKT	TYPE	POL	CKT	TYPE	POL	CKT	TYPE	POL						
TBD	34708-9000	34708-4000	20	0.64mm	A	20	0.64mm	B	20	0.64mm	C	20	0.64mm	D	132.74	130.27	27.94	27.94	27.94	27.94
TBD	TBD	34708-4010	12	0.64mm	A	12	0.64mm	B	16	0.64mm	A	8	0.64mm	A	92.10	89.63	17.78	17.78	22.86	12.70
TBD	TBD	34708-4020	16	0.64mm	B	8	0.64mm	B	16	0.64mm	C	12	0.64mm	C	97.18	94.71	22.86	12.70	22.86	17.78
TBD	TBD	34708-4030	16	0.64mm	A	20	0.64mm	A	12	0.64mm	A	20	0.64mm	B	117.50	115.03	22.86	27.94	17.78	27.94
TBD	TBD	34708-4040	20	0.64mm	B	12	0.64mm	A	20	0.64mm	A	12	0.64mm	C	112.42	109.95	27.94	17.78	27.94	17.78
TBD	TBD	34708-4050	20	0.64mm	A	16	0.64mm	A	8	0.64mm	A	10	HYBRID	A	112.42	109.95	27.94	22.86	12.70	27.94
TBD	TBD	34708-4060	20	0.64mm	C	20	0.64mm	A	20	0.64mm	B	12	0.64mm	A	122.58	120.11	27.94	27.94	27.94	17.78
TBD	TBD	34708-4070	12	0.64mm	A	20	0.64mm	D	20	0.64mm	C	20	0.64mm	A	122.58	120.11	17.78	27.94	27.94	27.94
TBD	TBD	34708-4080	20	0.64mm	B	8	0.64mm	A	20	0.64mm	A	12	0.64mm	A	107.34	104.87	27.94	12.70	27.94	17.78
TBD	TBD	34708-4090	12	0.64mm	A	20	0.64mm	A	20	0.64mm	B	20	0.64mm	C	122.58	120.11	17.78	27.94	27.94	27.94
TBD	TBD	34708-4011	16	0.64mm	B	16	0.64mm	A	8	0.64mm	A	10	HYBRID	A	107.34	104.87	22.86	22.86	12.70	27.94
TBD	TBD	34708-4012	8	0.64mm	B	20	0.64mm	D	12	0.64mm	A	12	0.64mm	C	97.18	94.71	12.70	27.94	17.78	17.78
TBD	34708-9013	34708-4013	16	0.64mm	A	20	0.64mm	B	20	0.64mm	C	20	0.64mm	D	127.66	125.19	22.86	27.94	27.94	27.94
TBD	TBD	34708-4014	8	0.64mm	A	20	0.64mm	C	20	0.64mm	B	10	HYBRID	A	117.50	115.03	12.70	27.94	27.94	27.94
TBD	34708-9015	34708-4015	20	0.64mm	A	20	0.64mm	B	20	0.64mm	C	8	0.64mm	A	117.50	115.03	27.94	27.94	27.94	12.70
TBD	34708-9016	34708-4016	20	0.64mm	A	20	0.64mm	B	20	0.64mm	C	12	0.64mm	A	122.58	120.11	27.94	27.94	27.94	17.78
TBD	TBD	34708-4017	20	0.64mm	D	20	0.64mm	A	20	0.64mm	B	20	0.64mm	C	132.74	130.27	27.94	27.94	27.94	27.94
TBD	TBD	34708-4018	20	0.64mm	C	20	0.64mm	A	20	0.64mm	B	16	0.64mm	A	127.66	125.19	27.94	27.94	27.94	22.86
34708-9519	TBD	34708-4019	10	HYBRID	A	16	0.64mm	C	12	0.64mm	B	20	0.64mm	A	117.50	115.03	27.94	22.86	17.78	27.94
P1 TBD	TBD	34708-4021	10	HYBRID	A	14	HYBRID	A	16	0.64mm	A	20	0.64mm	A	127.66	125.19	27.94	27.94	22.86	27.94

FUNCTIONAL SYMBOLS	THIS DRAWING CONTAINS INFORMATION THAT IS PROPRIETARY TO MOLEX ELECTRONIC TECHNOLOGIES, LLC AND SHOULD NOT BE USED WITHOUT WRITTEN PERMISSION		CURRENT REV DESC:		molex
	FA = 0	mm	SCALE 1:1		
DIVISIONAL SYMBOLS	GENERAL TOLERANCES (UNLESS SPECIFIED)		EC NO: 660202		4-BAY STAC64 RIGHT ANGLE HEADER ASSEMBLY SALES DRAWING
	FC = 0	ANGULAR TOL ± 1.0°	DRWN: CZHANG118 2021/02/04		
DIVISIONAL SYMBOLS	FD = 0	4 PLACES ±	CHK'D: CZHANG118 2021/04/09		PRODUCT CUSTOMER DRAWING
		3 PLACES ±	APPR: JDENG02 2021/05/18		
		2 PLACES ± 0.13	INITIAL REVISION:		
		1 PLACE ± 0.25	DRWN: VDANIELE 2008/11/14		
	0 PLACES ±	APPR: SMARCEAU 2008/11/14		SD-34708-400	
DRAFT WHERE APPLICABLE MUST REMAIN WITHIN DIMENSIONS		THIRD ANGLE PROJECTION	DRAWING	SERIES	DOCUMENT NUMBER
			D-SIZE	34708	PSD 001 P1
					MATERIAL NUMBER CUSTOMER SHEET NUMBER
					GENERAL MARKET 2 OF 5

TABLE OF CONTENTS				
3	4 BAY ASSEMBLY VIEW, RECOMMENDED PCB LAYOUT, FLUSH MOUNTING VIEW, POST HOLE TABLE, DIMENSION DETAILS			



RECOMMENDED PCB LAYOUT
INSERT NECESSARY BAYS USING CHART ON SHEET 2.



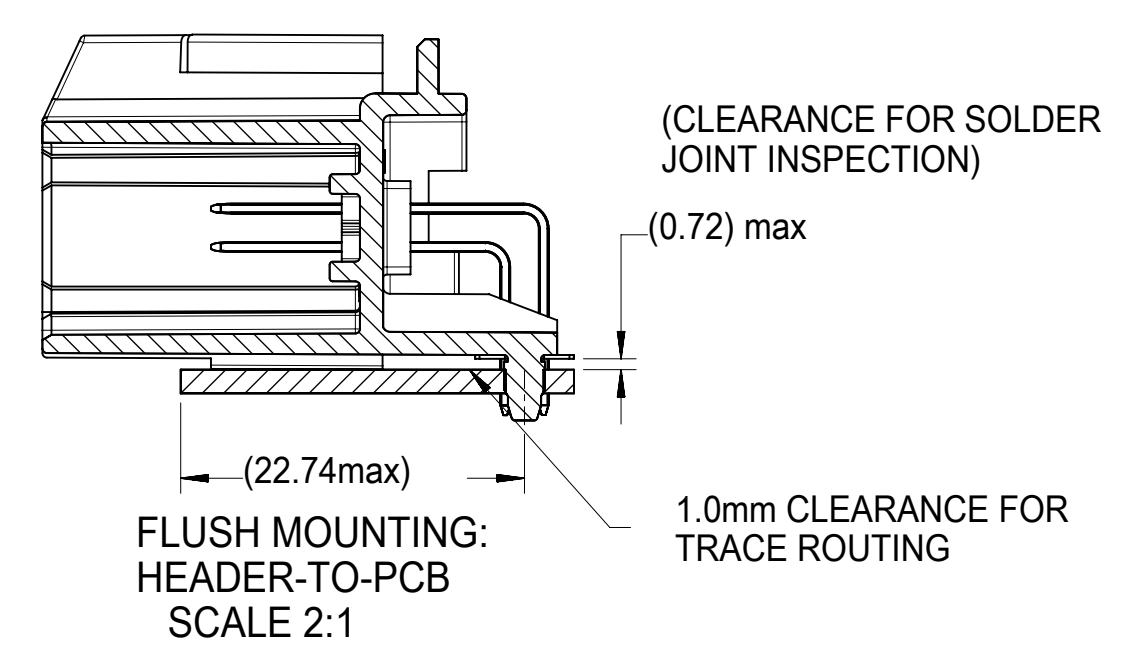
REFER TO POST HOLE TABLE

2X ØZ±0.08
⊕ Ø0.13 (M) F

POST HOLE TABLE:

FOR DIM Z:	
PRESS FIT:	2.60
DROP IN:	3.05

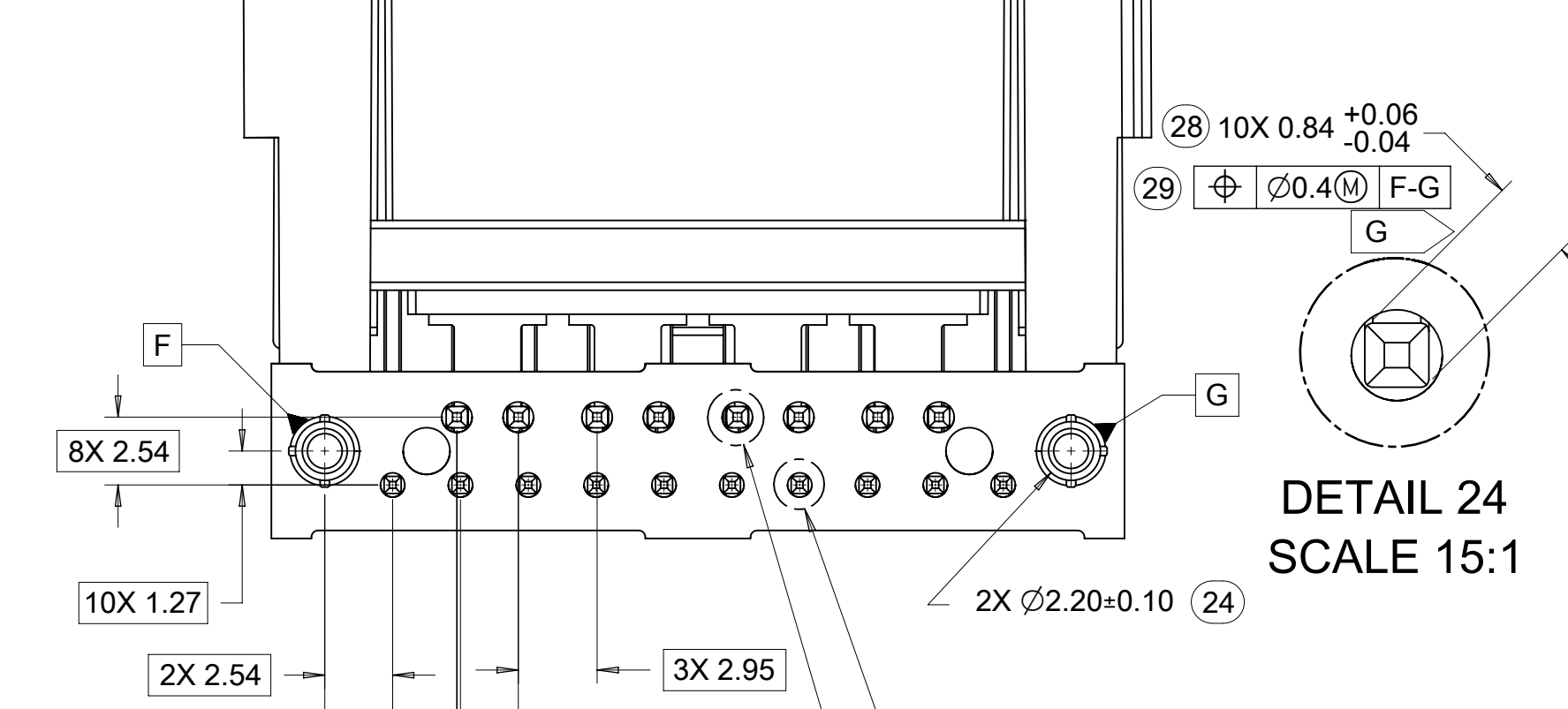
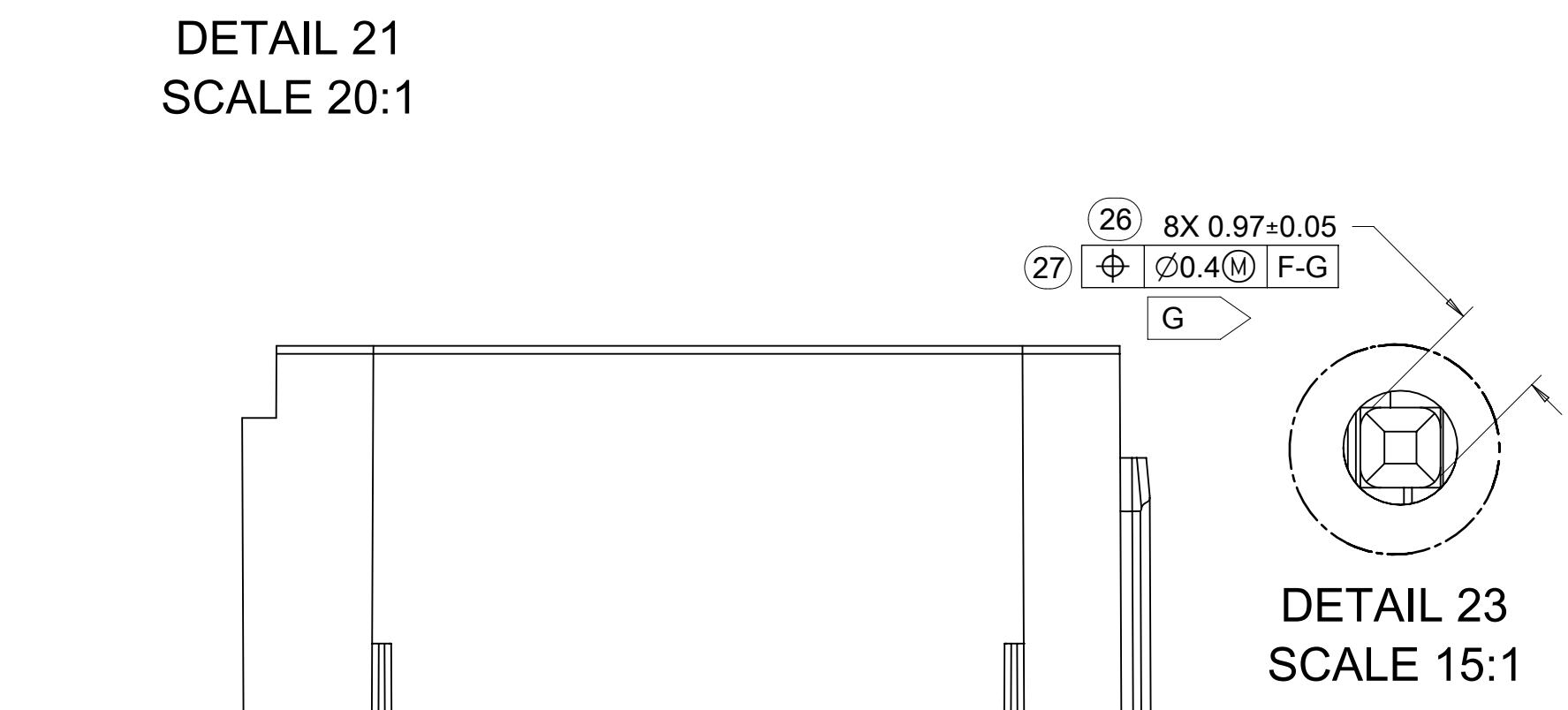
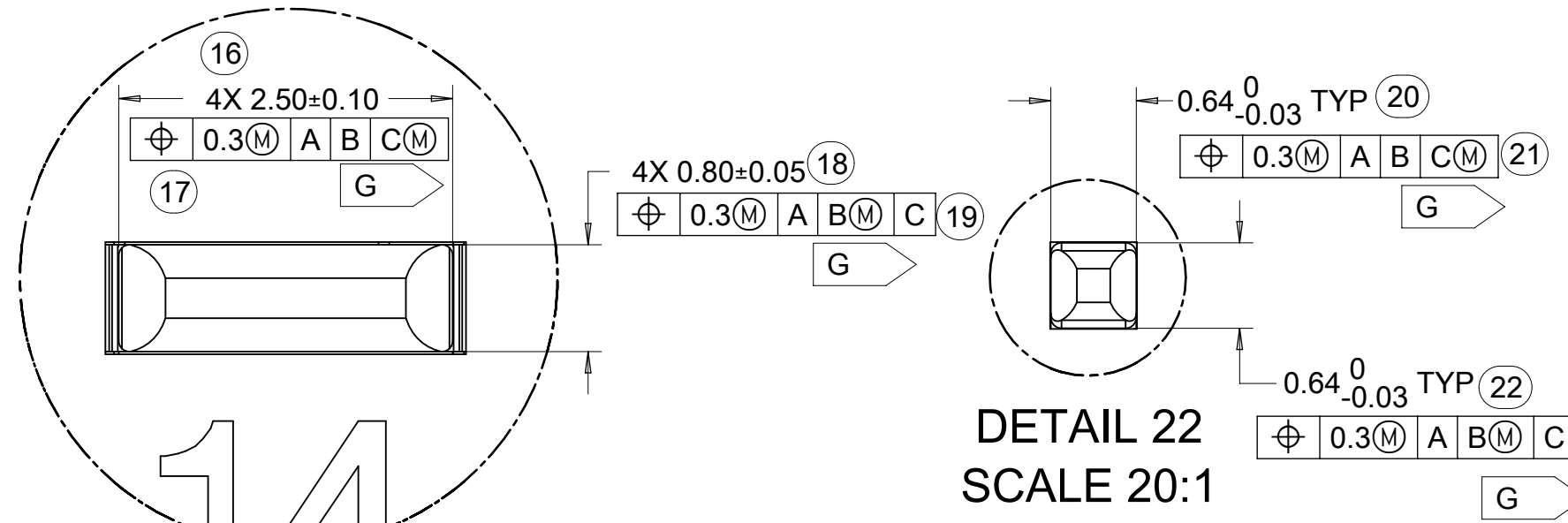
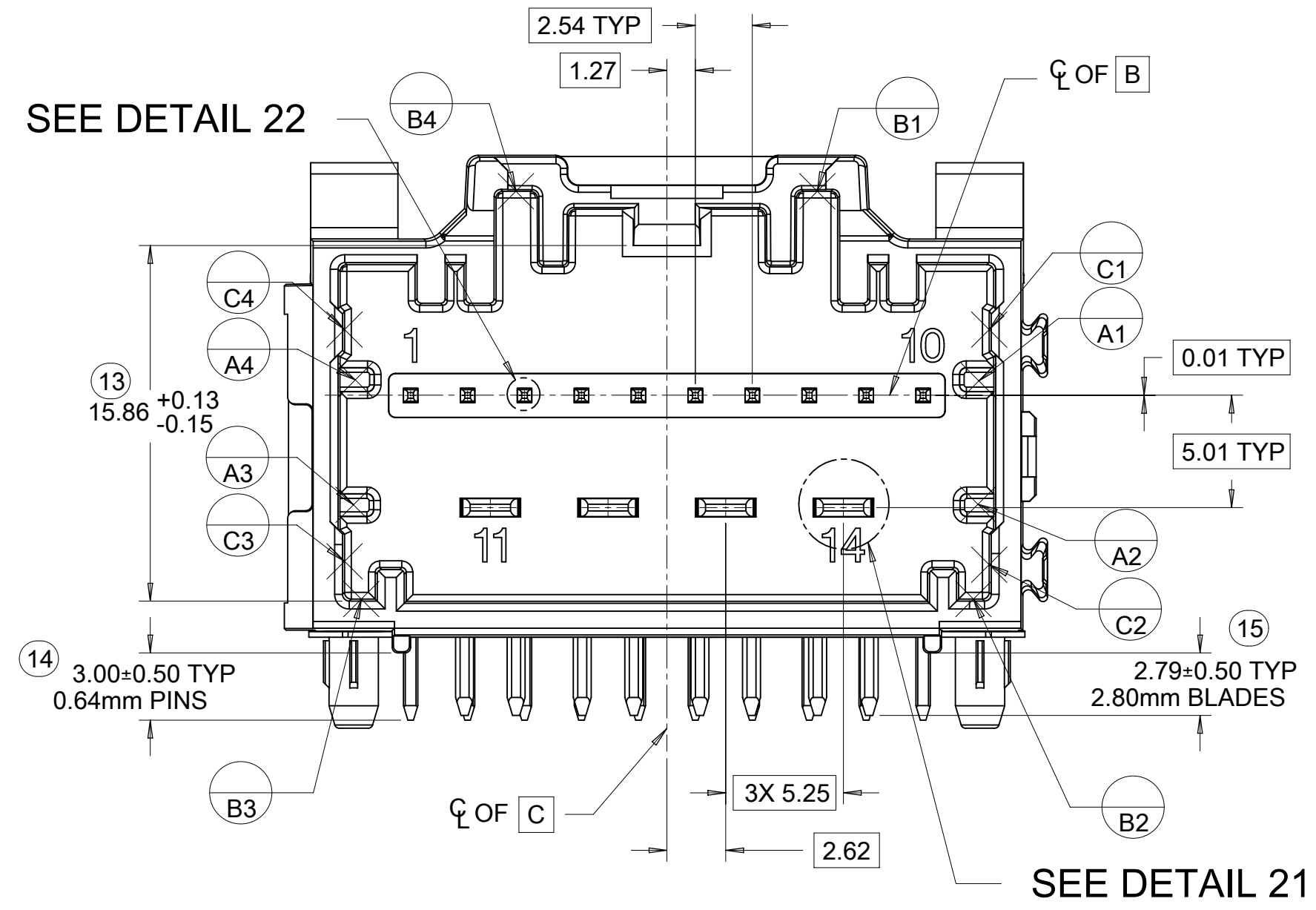
ALL CIRCUIT SIZES



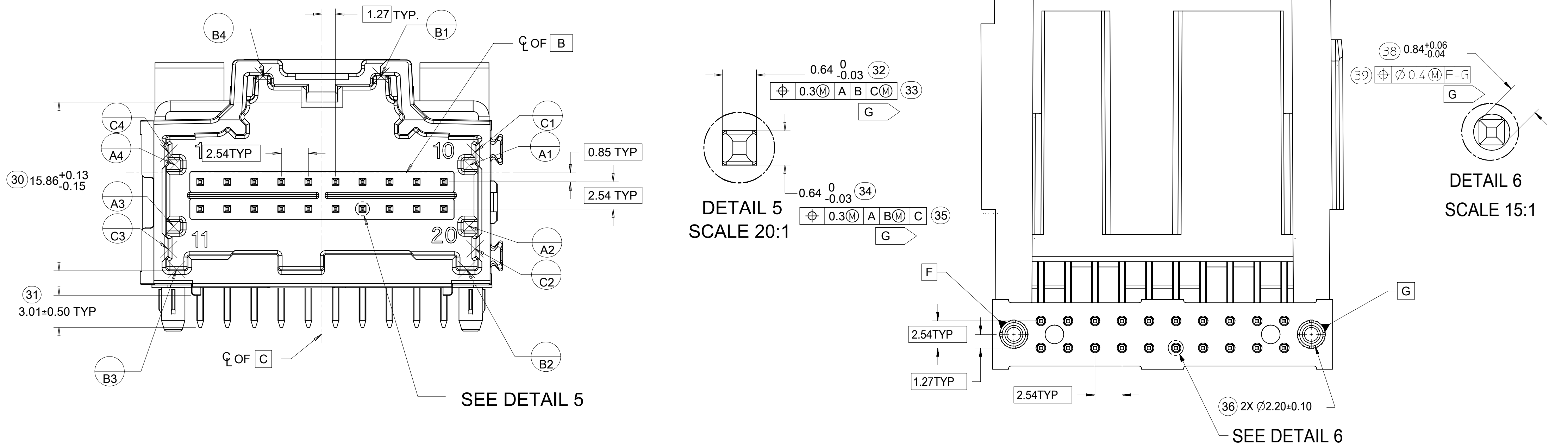
FOR HOLE LOCATION REFER TO TEMPLATES ON SHEET 5

FUNCTIONAL SYMBOLS FA = 0 FE = 0 FP = 0	THIS DRAWING CONTAINS INFORMATION THAT IS PROPRIETARY TO MOLEX ELECTRONIC TECHNOLOGIES, LLC AND SHOULD NOT BE USED WITHOUT WRITTEN PERMISSION	DIMENSION UNITS: mm SCALE: 4:1	CURRENT REV DESC:	
	GENERAL TOLERANCES (UNLESS SPECIFIED) ANGULAR TOL ± 1.0°	EC NO: 660202 DRWN: CZHANG118 2021/02/04 CHK'D: CZHANG118 2021/04/09 APPR: JDENG02 2021/05/18	4 PLACES ± 3 PLACES ± 2 PLACES ± 0.13 1 PLACE ± 0.25 0 PLACES ±	
DIVISIONAL SYMBOLS	DRAFT WHERE APPLICABLE MUST REMAIN WITHIN DIMENSIONS	THIRD ANGLE PROJECTION	DRAWING: D-SIZE SERIES: 34708	PRODUCT CUSTOMER DRAWING DOCUMENT NUMBER: SD-34708-400 DOC TYPE: PSD DOC PART: 001 REVISION: P1
DOCUMENT STATUS P1 RELEASE DATE 2021/05/18 01:49:26	MATERIAL NUMBER: 34708 CUSTOMER: GENERAL MARKET SHEET NUMBER: 3 OF 5			

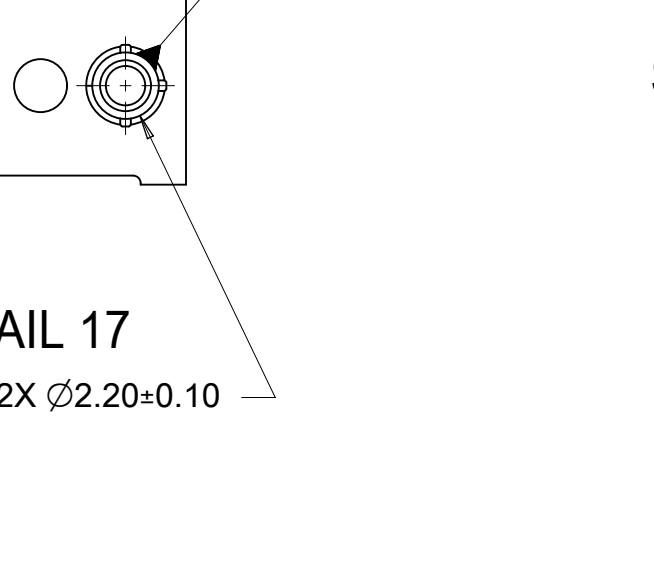
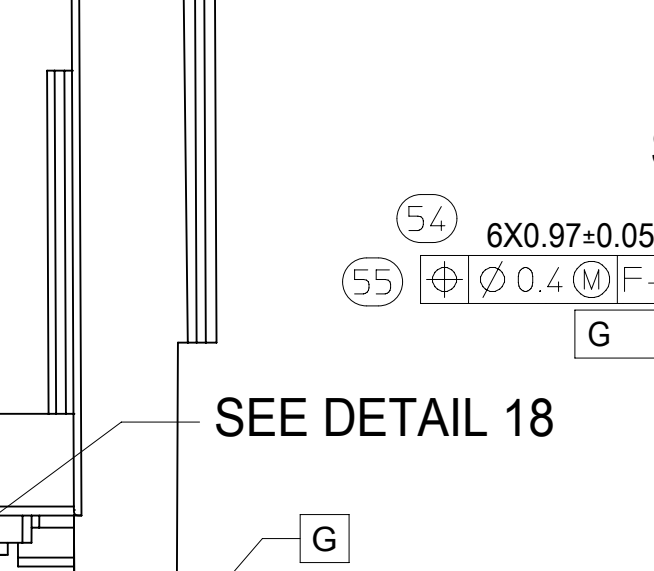
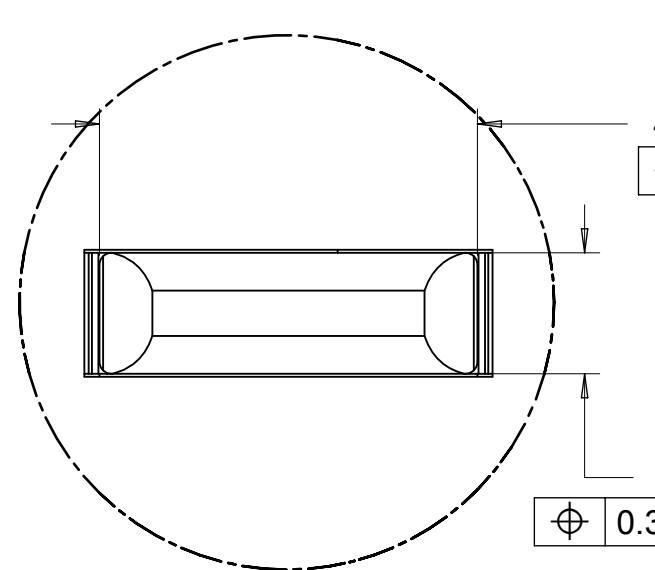
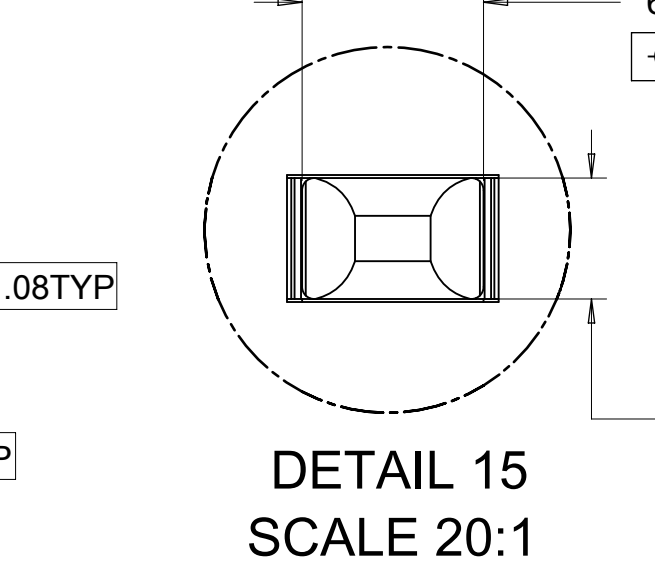
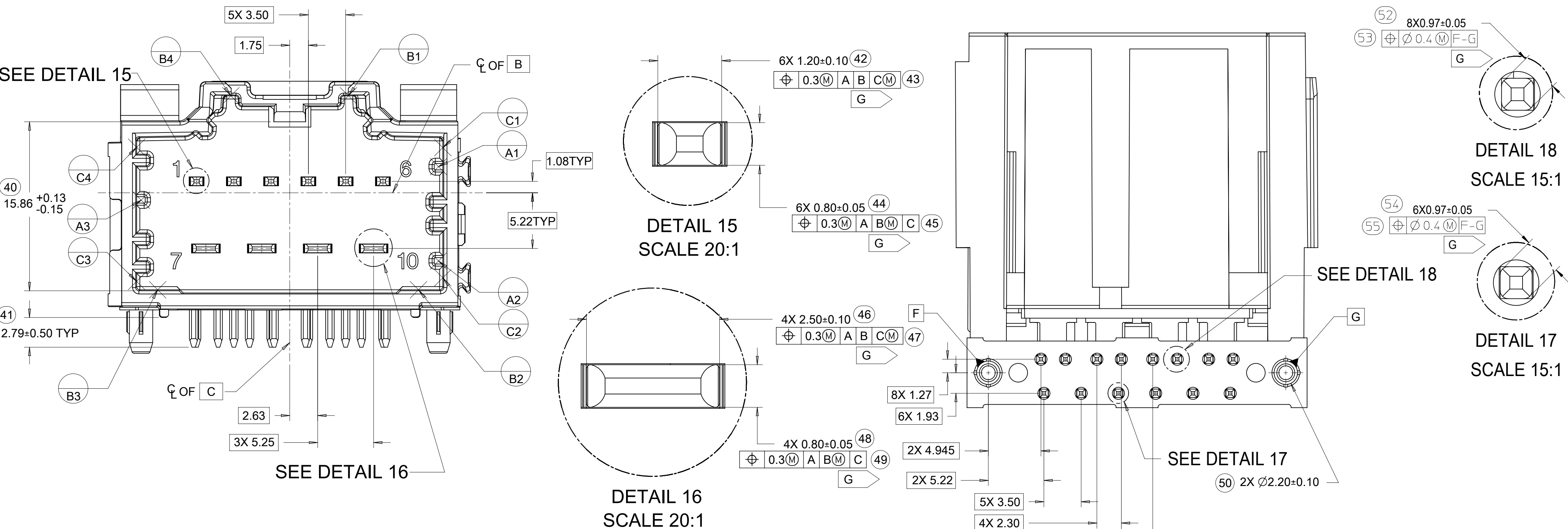
14 CKT HYBRID HEADER DETAILS



8-20CKT STAC 0.64mm HEADER DETAILS



10CKT STAC HYBRID HEADER DETAILS

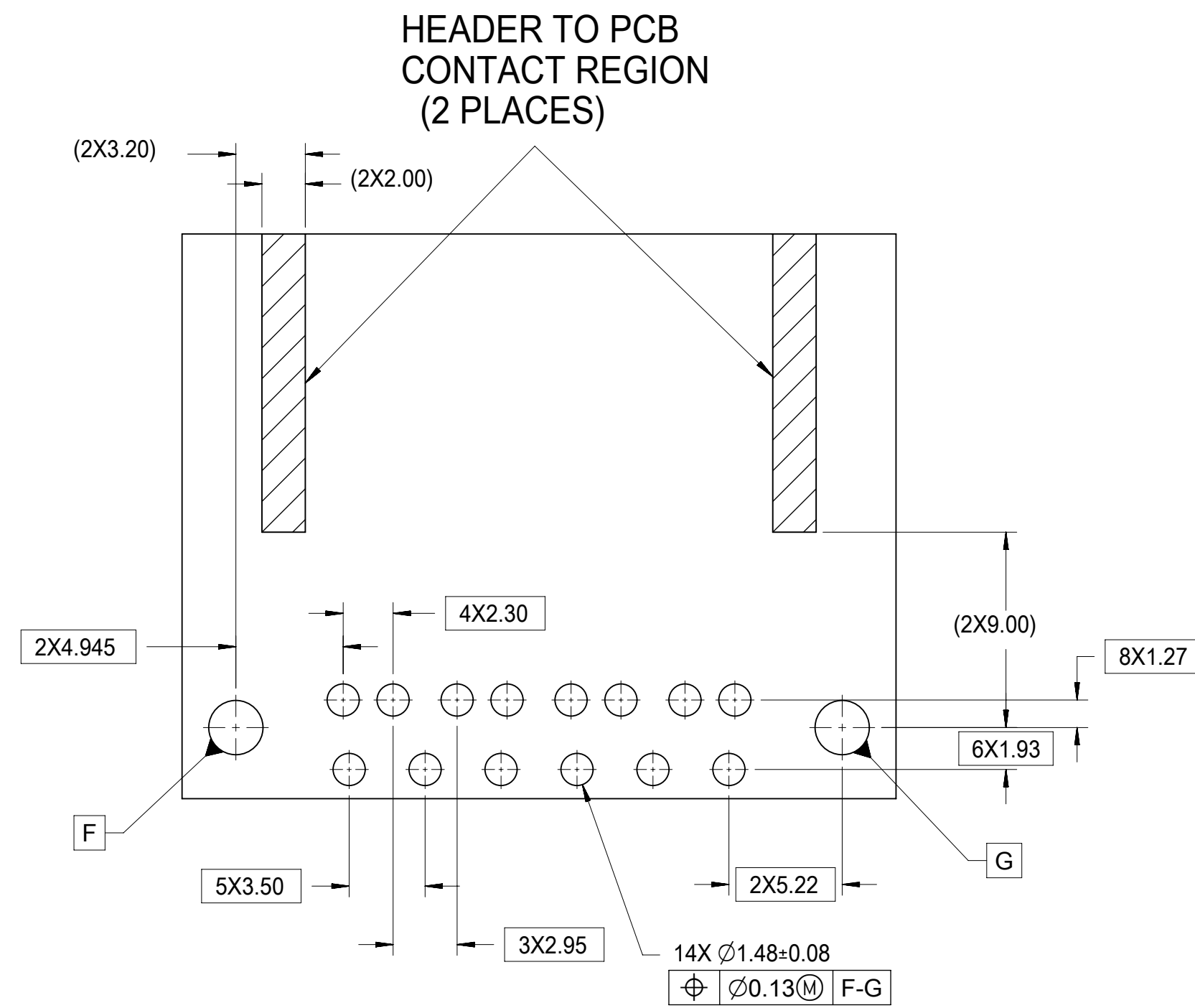


DOCUMENT STATUS	P1	RELEASE DATE	2021/05/18 01:49:26
-----------------	----	--------------	---------------------

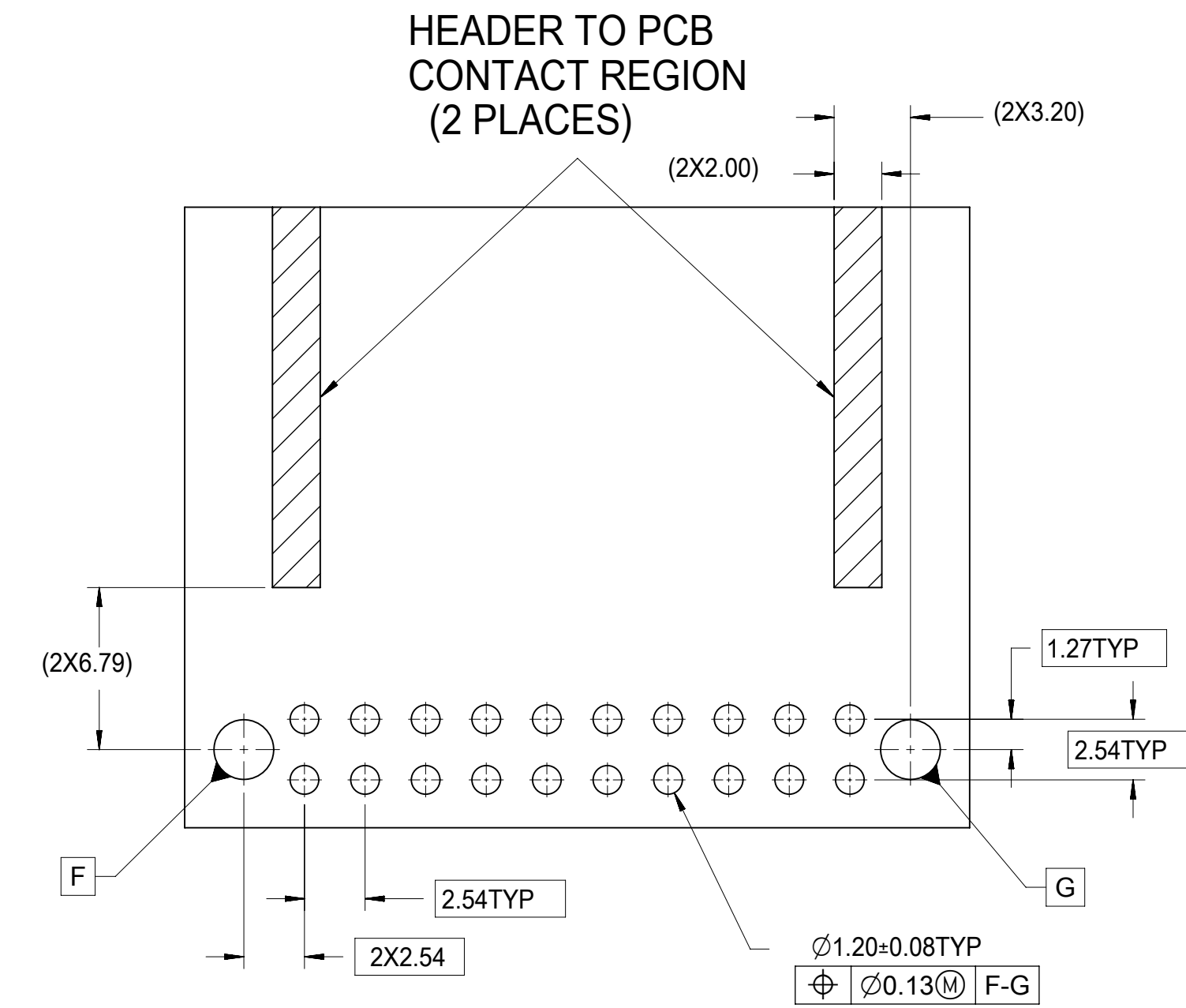
FUNCTIONAL SYMBOLS	$\nabla_A = 0$	mm	SCALE 4:1	CURRENT REV DESC:	
	$\nabla_E = 0$				
	$\nabla_F = 0$	GENERAL TOLERANCES (UNLESS SPECIFIED)			
			ANGULAR TOL	$\pm 1.0^\circ$	
DIVISIONAL SYMBOLS	4 PLACES		\pm	EC NO: 660202	2021/02/04
	3 PLACES		\pm	DRWN: CZHANG118	2021/04/09
	2 PLACES		± 0.13	CHK'D: CZHANG118	2021/05/18
	1 PLACE		± 0.25	APPR: JDENG02	
	0 PLACES		\pm	INITIAL REVISION:	
DRAFT WHERE APPLICABLE MUST REMAIN WITHIN DIMENSIONS			THIRD ANGLE PROJECTION	DRWGING D-SIZE	SERIES 34708
				MATERIAL NUMBER	CUSTOMER
				GENERAL MARKET	SHEET NUMBER 4 OF 5

molex	
4-BAY STAC64 RIGHT ANGLE HEADER ASSEMBLY SALES DRAWING	
PRODUCT CUSTOMER DRAWING	
DOCUMENT NUMBER	DOC TYPE DOC PART REVISION
SD-34708-400	PSD 001 P1

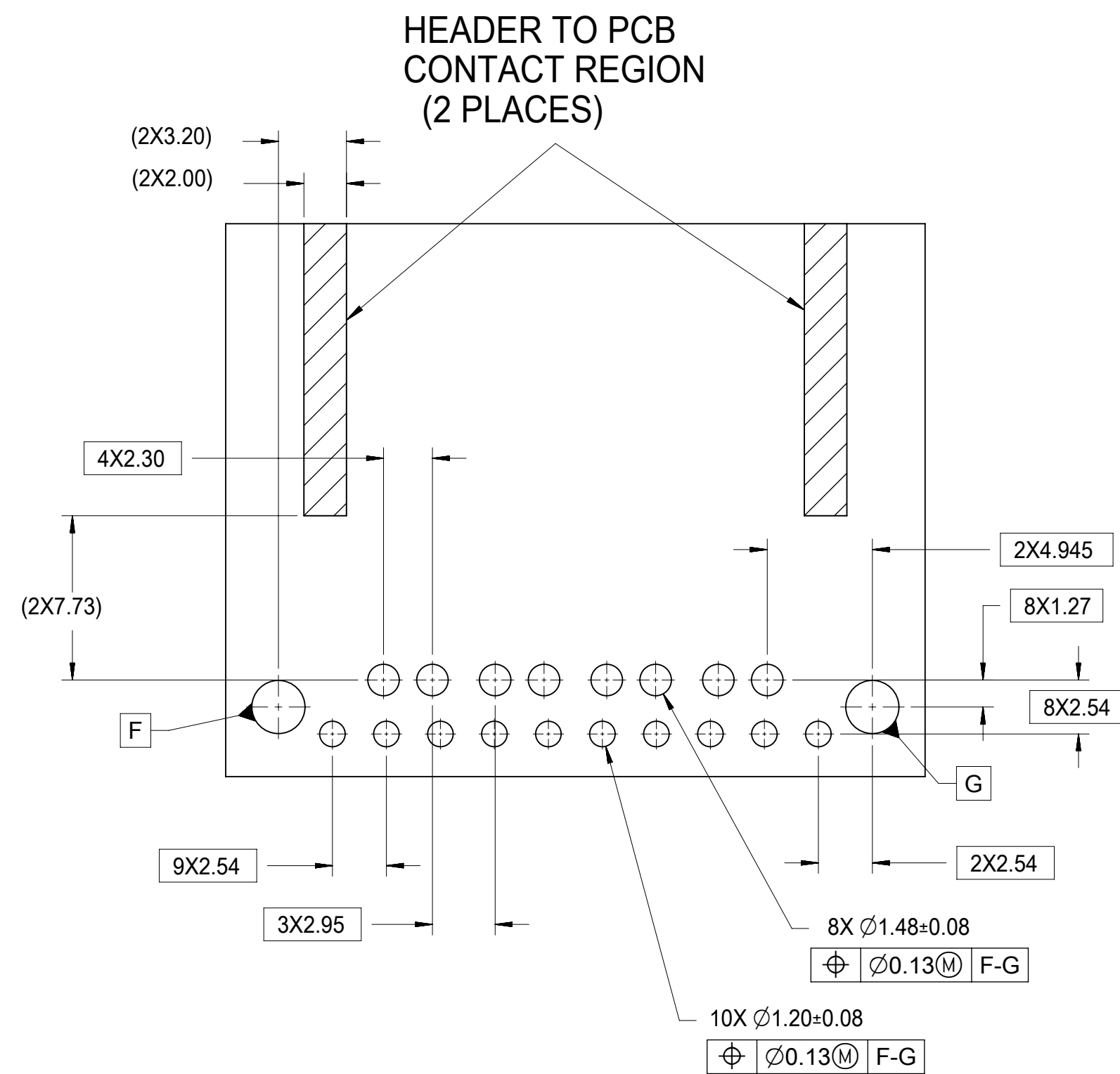
10 CKT HYBRID TEMPLATE PCB LAYOUT



8-20CKT 0.64mm TEMPLATE PCB LAYOUT

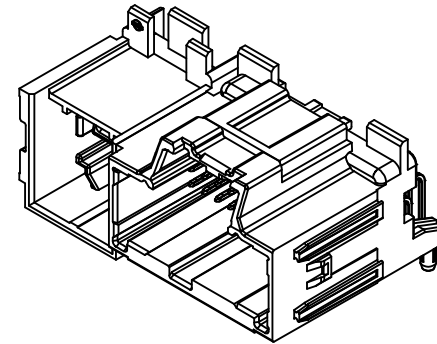
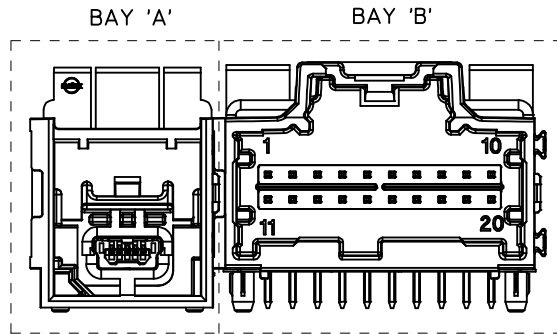


14 CKT HYBRID TEMPLATE PCB LAYOUT



FUNCTIONAL SYMBOLS	THIS DRAWING CONTAINS INFORMATION THAT IS PROPRIETARY TO MOLEX ELECTRONIC TECHNOLOGIES, LLC AND SHOULD NOT BE USED WITHOUT WRITTEN PERMISSION		
	DIMENSION UNITS	SCALE	CURRENT REV DESC:
$F_A = 0$	mm	4:1	
$F_C = 0$	GENERAL TOLERANCES (UNLESS SPECIFIED)		
$F_P = 0$	ANGULAR TOL ± 1.0°		
DIVISIONAL SYMBOLS	4 PLACES	±	EC NO: 660202
	3 PLACES	±	DRWN: CZHANG118 2021/02/04
	2 PLACES	± 0.13	CHK'D: CZHANG118 2021/04/09
	1 PLACE	± 0.25	APPR: JDENG02 2021/05/18
	0 PLACES	±	INITIAL REVISION:
DRAFT WHERE APPLICABLE MUST REMAIN WITHIN DIMENSIONS		THIRD ANGLE PROJECTION	DRAWING SERIES
			D-SIZE 34708
DOCUMENT STATUS		P1	RELEASE DATE
2021/05/18		01:49:26	
DOCUMENT NUMBER		DOC TYPE	DOC PART
SD-34708-400		PSD	001
CUSTOMER		REVISION	
GENERAL MARKET		P1	
SHEET NUMBER		5 OF 5	

2 BAY HS STAC RIGHT ANGLE HEADER ASSEMBLY (P/N: 34787-2000 SHOWN)



NOTES: VALID UNLESS OTHERWISE SPECIFIED
1. GENERAL:

a. CONNECTOR HEADER MUST BE VALIDATED TO THE FOLLOWING FUNCTIONAL REQUIREMENTS:

PRODUCT SPECIFICATION:
8-20 CKT 0.64 PRODUCT SPEC: PS-31408-100
10 CKT HYBRID PRODUCT SPEC: PS-31372-100
HS STAC PRODUCT SPEC: TBD

b. APPLICATION REQUIREMENTS (REFERENCE ONLY):
APPLICATION SPECIFICATION: TBD

c. PACKAGING SPECIFICATION PER MOLEX DRAWING TBD

2. DESIGN MATERIALS:

a. SHROUD (PLASTIC HOUSING):
RESIN - SPS 30%GF

b. HS STAC PINS:
0.35mm PINS
BASE MATERIAL: C70250
PLATING TYPE: AS NOTED

0.64mm PINS:
BASE MATERIAL: C26000
PLATING TYPE: AS NOTED

150mm BLADES:
BASE MATERIAL: C19400
PLATING TYPE: AS NOTED

2.80mm BLADES:
BASE MATERIAL: C19400
PLATING TYPE: AS NOTED

3. PLATING REQUIREMENTS:

a. UNDERPLATING - OVERALL NICKEL

b. OVERPLATING - OVERALL TIN

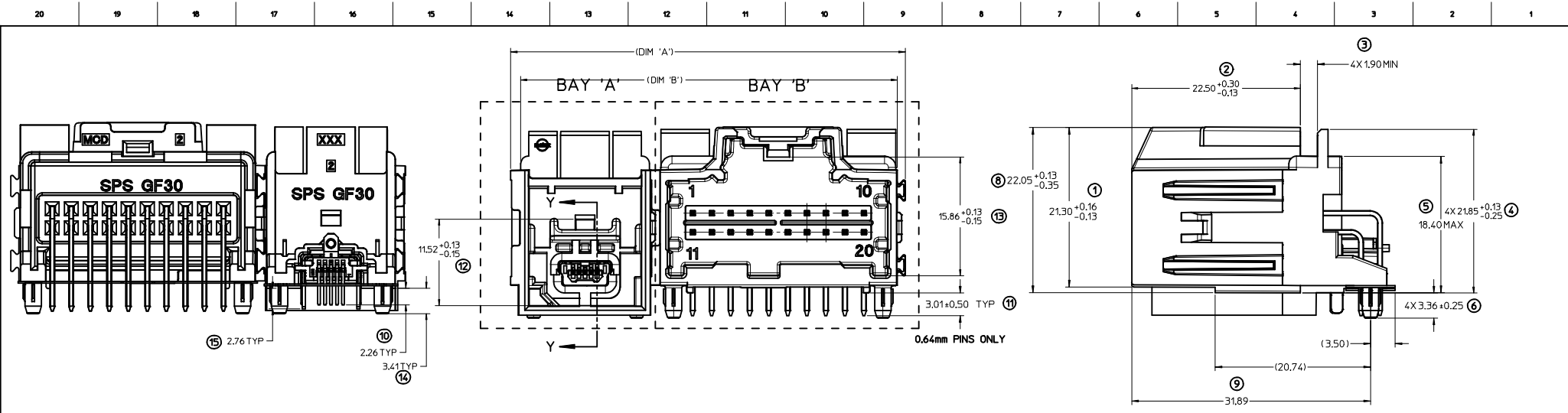
4. FOR DESCRIPTION OF INDIVIDUAL BAYS, REFER TO THE FOLLOWING

SINGLE BAY DRAWINGS:
8-20 CKT 0.64: SD-34691-100
10 CKT HYBRID: SD-34696-100
HS STAC: SD-34786-100

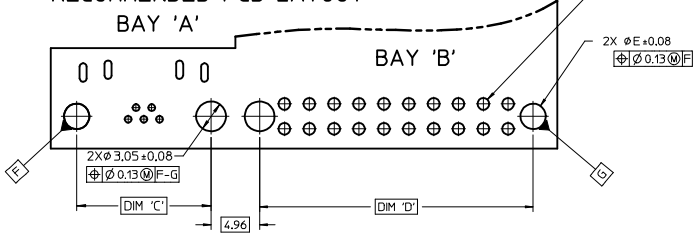
DIMENSIONAL CHART FOR MULTIBAY CONFIGURATION:

2 BAY PART NUMBER	BAY A			BAY B			DIM 'A'	DIM 'B'	DIM 'C'	DIM 'D'
	CKT	TYPE	POL	CKT	TYPE	POL				
34787-2000	-	HS	A	20	0.64mm	A	52.73	50.27	13.73	27.94
34787-2010	-	HS	A	-	HS	E	38.52	36.06	13.73	13.73
34787-2020	12	0.64mm	A	-	HS	A	42.57	40.11	13.73	17.78

REVISED EC NO: UAU2012-1387 DRAWN: DANIELE CHKD: APPR: SMARCEAU 2012/05/10 2012/05/11	QUALITY SYMBOLS ▽=0 ▽=0	GENERAL TOLERANCES (UNLESS SPECIFIED): mm INCH 4 PLACES ±--- ±--- 3 PLACES ±--- ±--- 2 PLACES ±0.13 ±--- 1 PLACE ±0.25 ±--- ANGULAR ± 1°	DIMENSION STYLE MM ONLY DRAWN BY: DANIELE DATE: 2010/06/24 CHECKED BY: JDUNA J DATE: 2010/06/29 APPROVED BY: SMARCEAU DATE: 2010/07/08	SCALE: 4:1 DESIGN UNITS: METRIC THIRD ANGLE PROJECTION	TITLE: 2-BAY HSSTAC RIGHT ANGLE HEADER ASSEMBLY SALES DRAWING
	DRAFT WHERE APPLICABLE MUST REMAIN WITHIN DIMENSIONS	MATERIAL NO.: SEE CHART DOCUMENT NO.: SD-34787-200	SHEET NO.: 1 OF 2		
	THIS DRAWING CONTAINS INFORMATION THAT IS PROPRIETARY TO MOLEX INCORPORATED AND SHOULD NOT BE USED WITHOUT WRITTEN PERMISSION				
	MOLEX INCORPORATED				

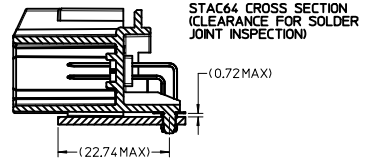


INSERT NECESSARY BAYS USING CHART ON SHEET 1.
RECOMMENDED PCB LAYOUT

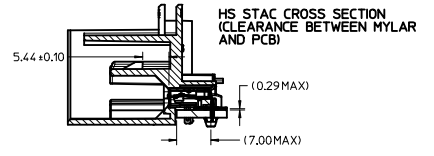


POST HOLE TABLE:
FOR DIM E:

PRESS FIT:	2.60
DROP IN:	3.05



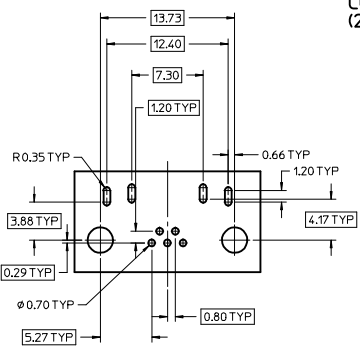
FLUSH MOUNTING:
HEADER-TO-PCB
SCALE 2:1



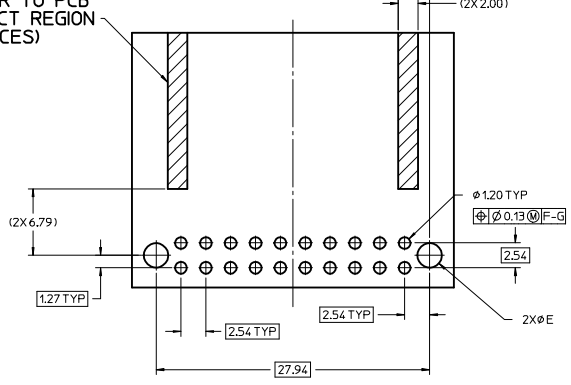
FLUSH MOUNTING
HEADER-TO-PCB
SCALE 2:1

* RECOMMENDED FOR PIN THROUGH
PASTE REFLOW PROCESSING *

HS STAC TEMPLATE
PCB LAYOUT



8-20 CKT 0.64mm TEMPLATE
PCB LAYOUT



REVISED EC NO. UAU2012-1387 DRAWN/DANIELE 2010/05/10 CHKD: APPR:SMARCEAU 2012/05/11 DESCRIPTION	QUALITY SYMBOLS		GENERAL TOLERANCES (UNLESS SPECIFIED)		DIMENSION STYLE		SCALE	DESIGN UNITS	THIRD ANGLE PROJECTION	
	$\nabla=0$ $\nabla=0$		mm	INCH	MM ONLY		4:1	METRIC		
	4 PLACES	±	---	±	---	DRAWN BY		DATE	TITLE	
	3 PLACES	±	---	±	---	DANIELE		2010/06/24	2-BAY HSSTAC RIGHT ANGLE HEADER ASSEMBLY SALES DRAWING	
DRAFT WHERE APPLICABLE MUST REMAIN WITHIN DIMENSIONS		APPROVED BY		DATE	DATE		MATERIAL NO.			
		SMARCEAU		2010/07/08	SMARCEAU		2010/07/08	MOLEX INCORPORATED		
		SEE CHART		DOCUMENT NO.		SD-34787-200		SHEET NO. 2 OF 2		
		THIS DRAWING CONTAINS INFORMATION THAT IS PROPRIETARY TO MOLEX INCORPORATED AND SHOULD NOT BE USED WITHOUT WRITTEN PERMISSION								