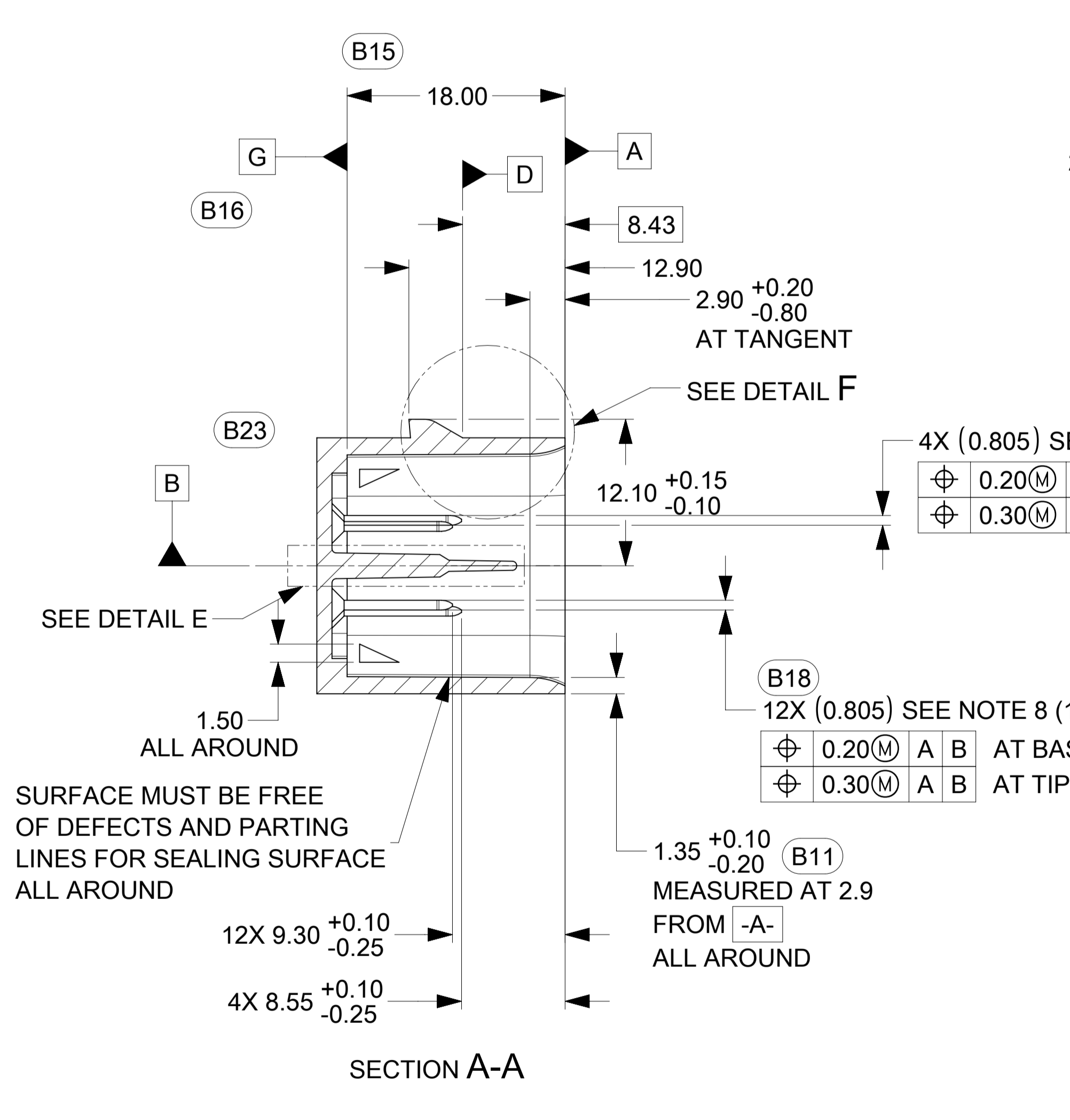
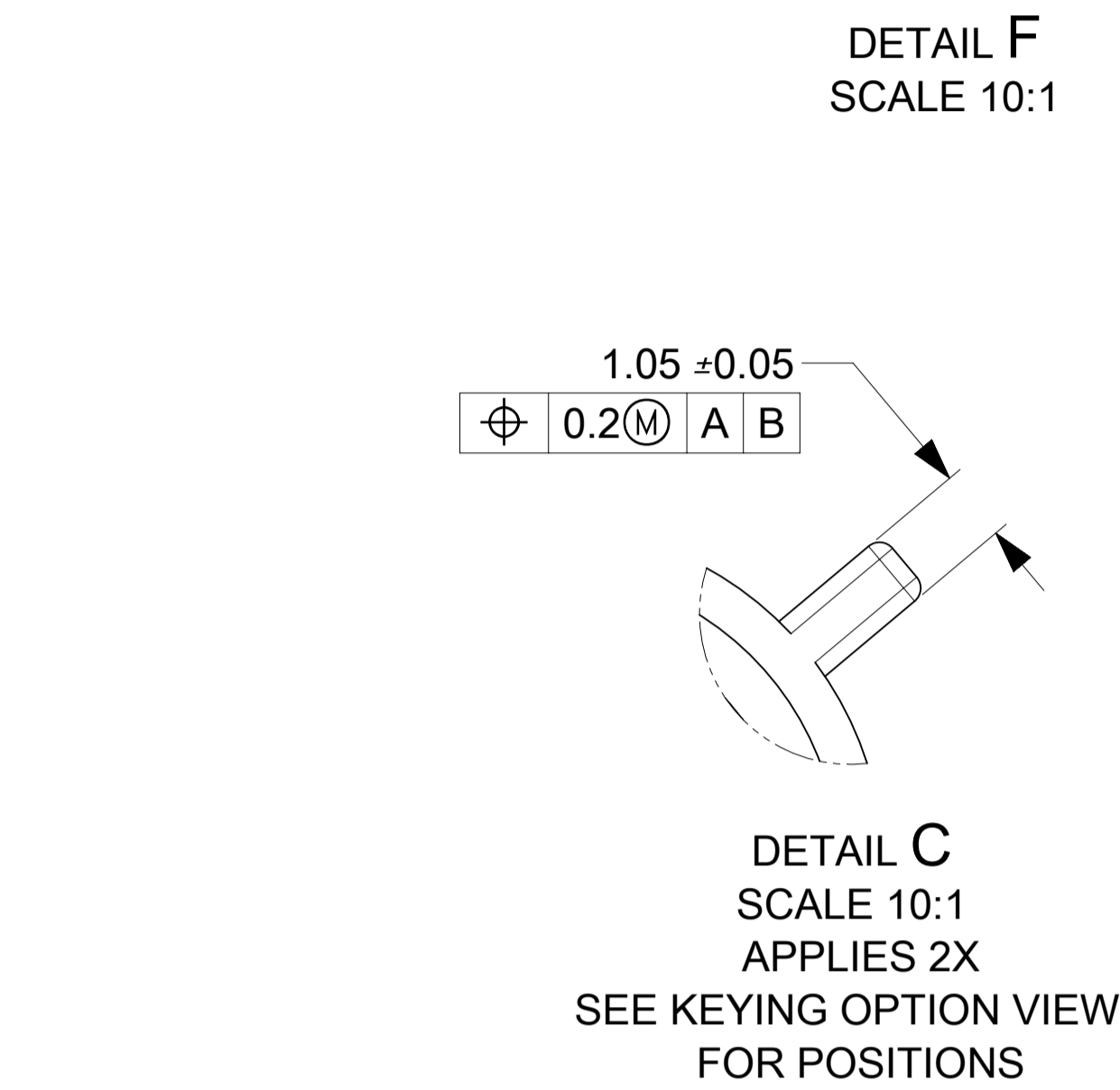
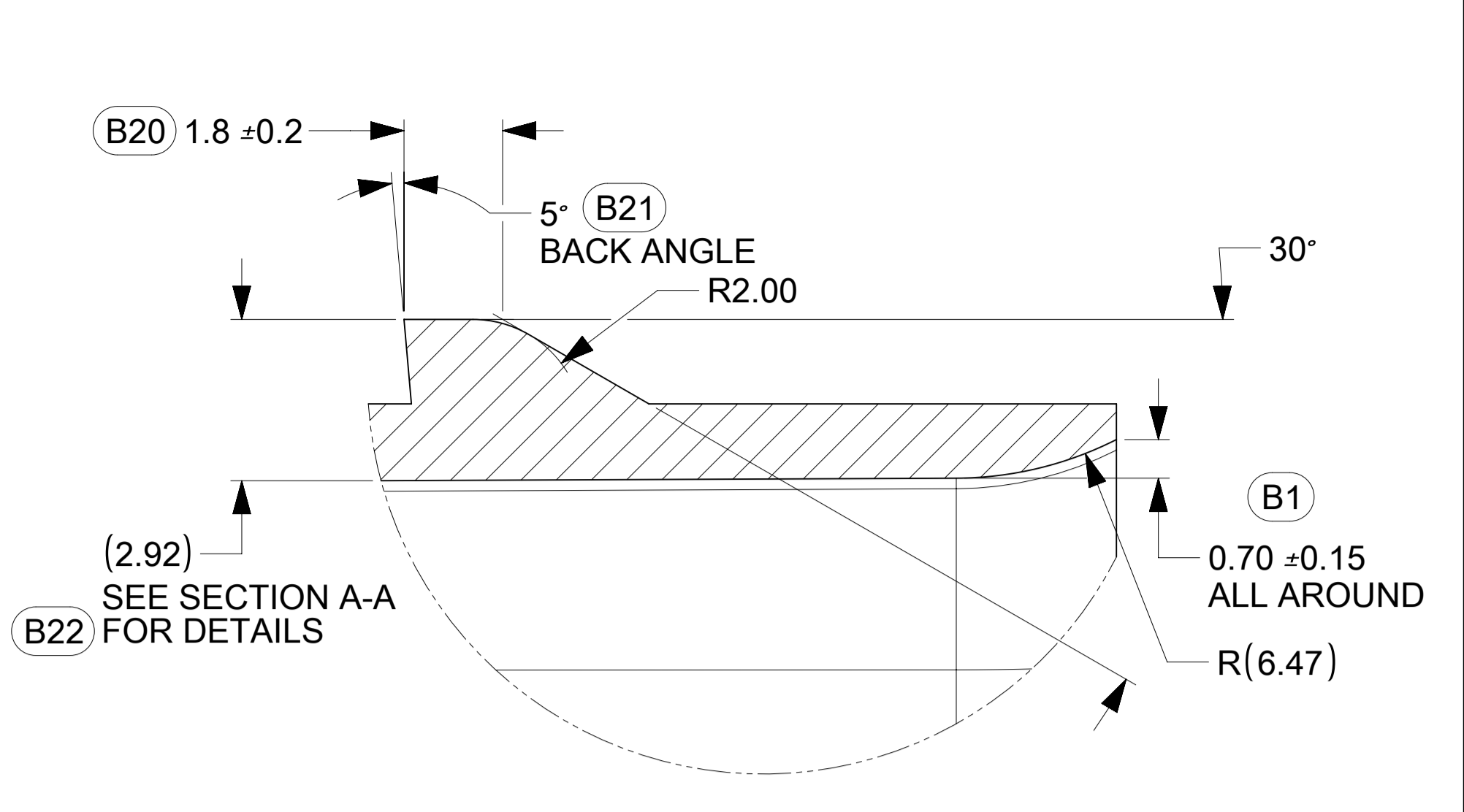
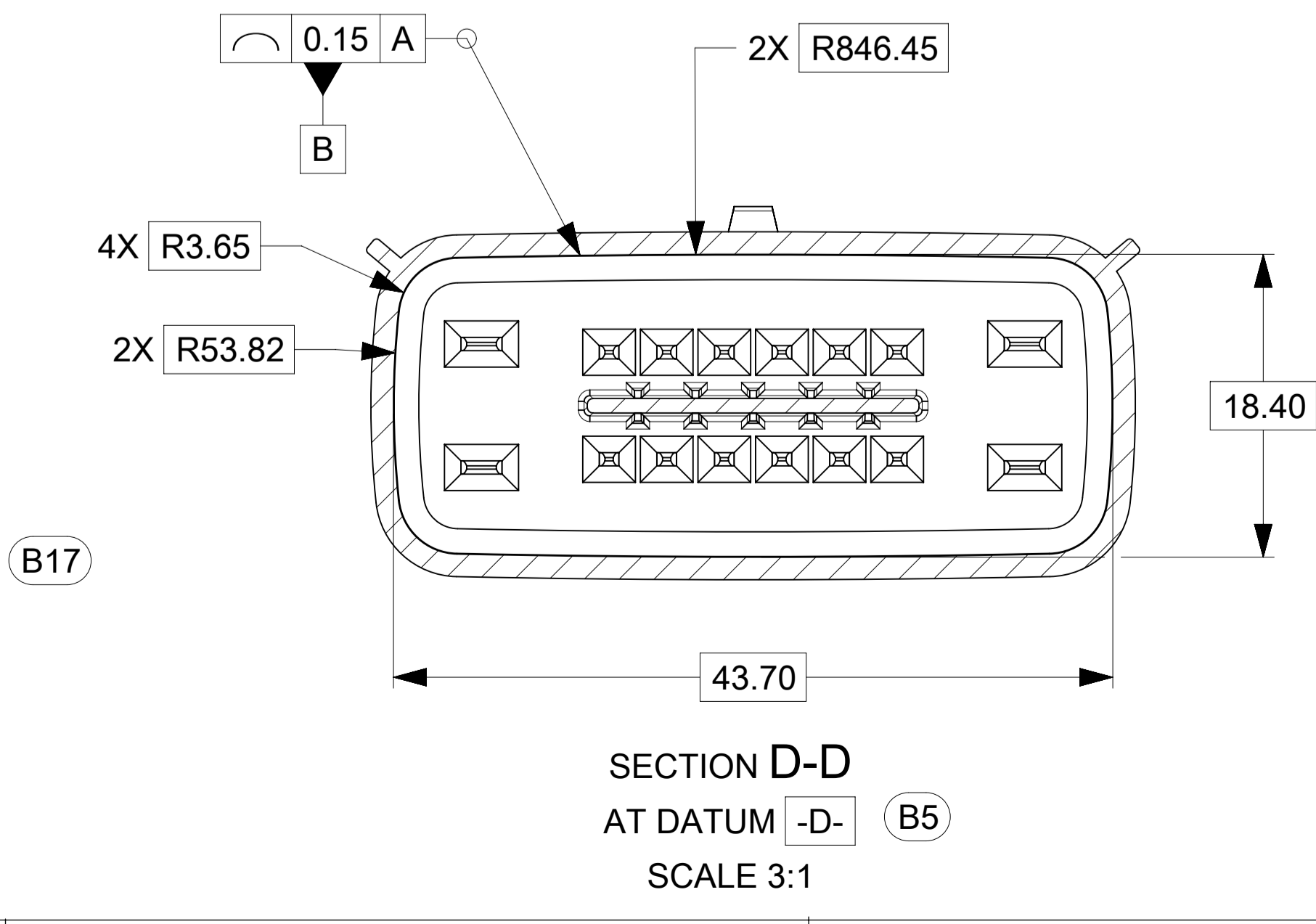
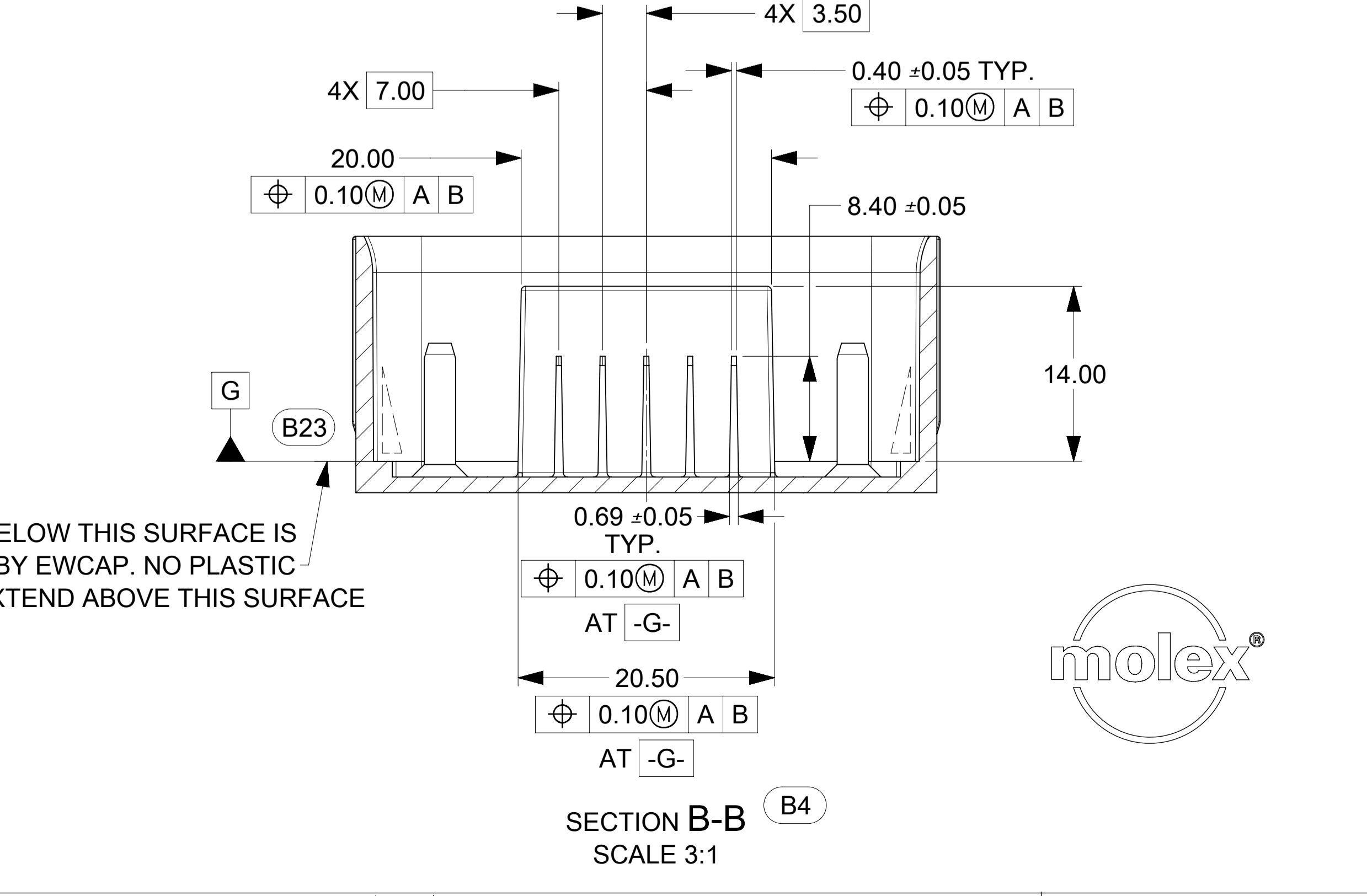
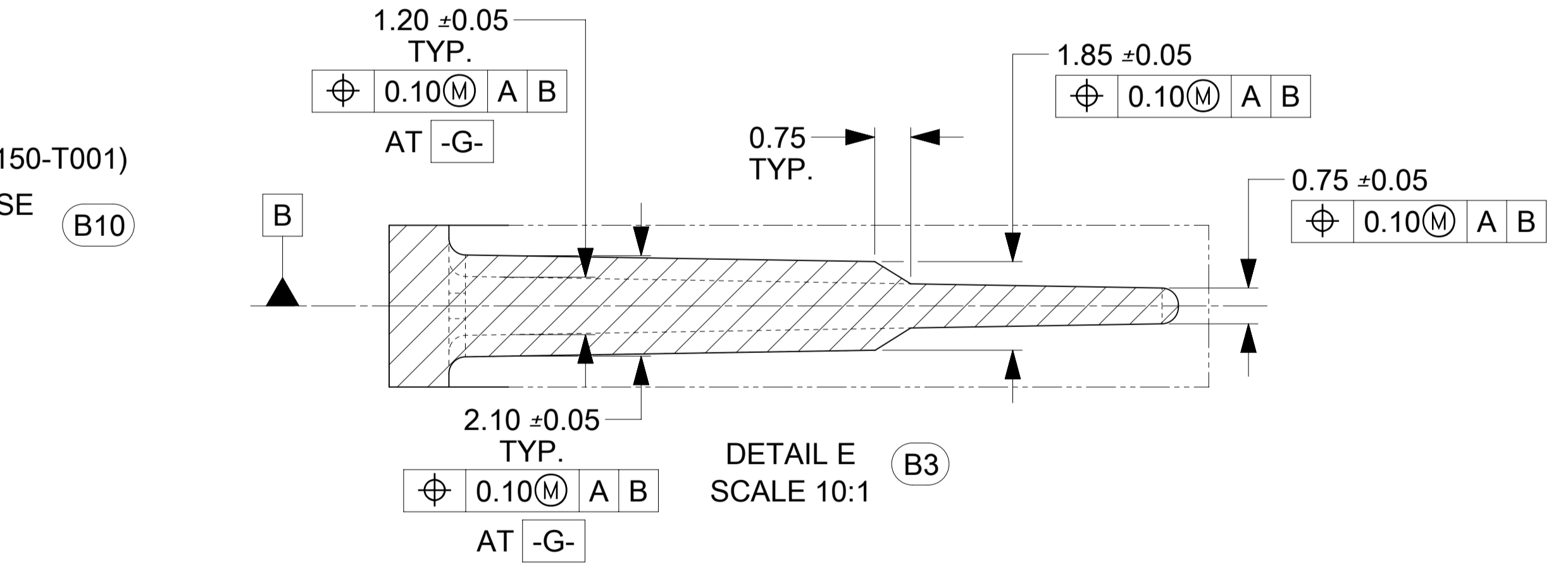
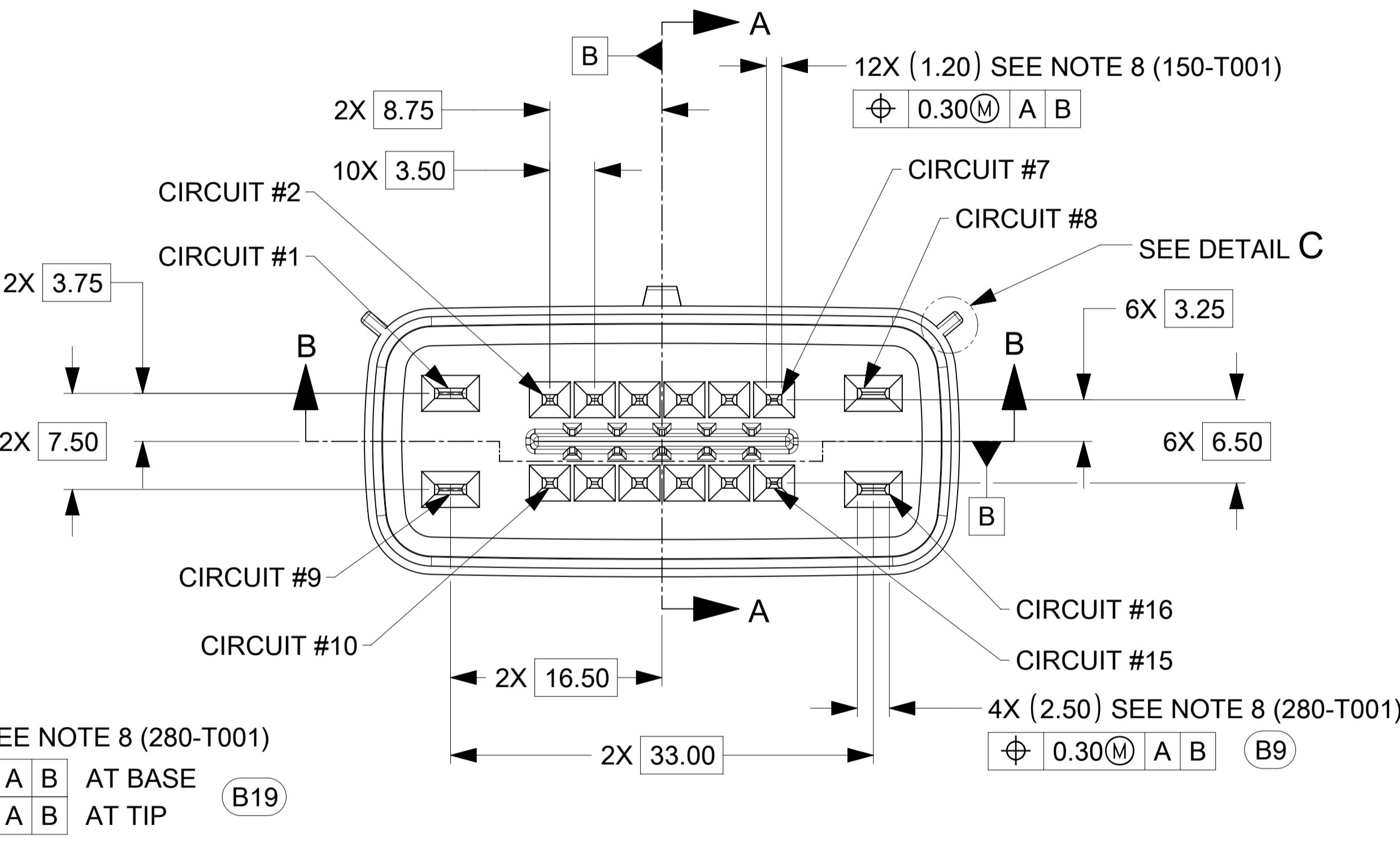
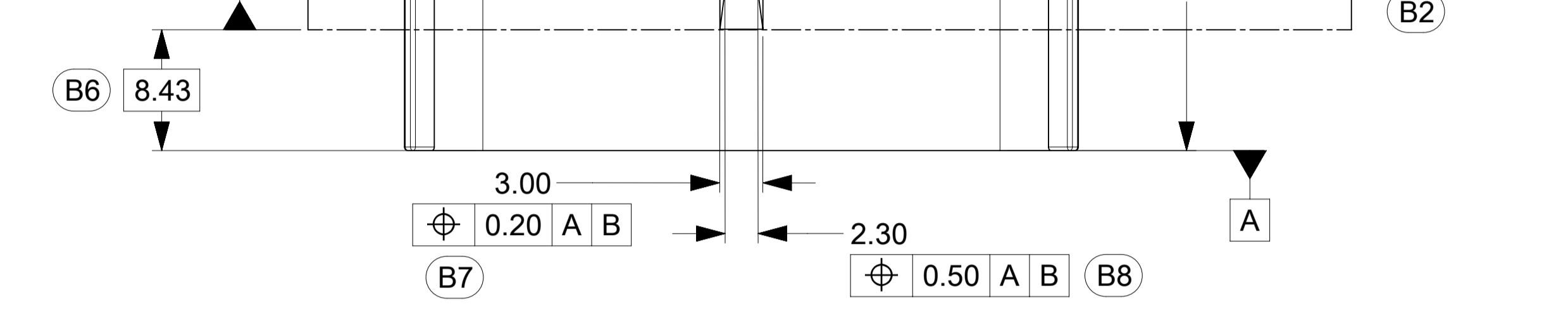
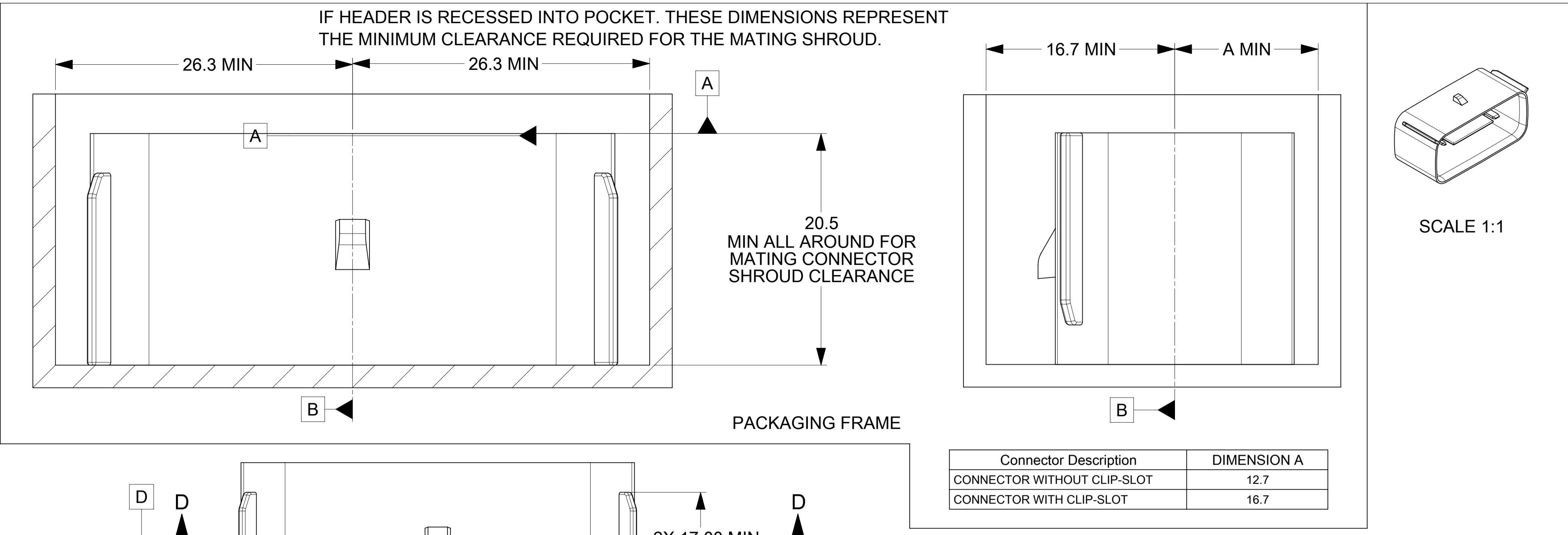


EWCAP PIN	OPTION	MATING CONNECTOR COLOR
999-S-016-2-H01	H	YELLOW
999-S-016-2-G01	G	YELLOW
999-S-016-2-F01	F	YELLOW
999-S-016-2-E01	E	YELLOW
999-S-016-2-D01	D	BLACK
999-S-016-2-C01	C	DARK GREY
999-S-016-2-B01	B	GREY
999-S-016-2-A01	A	BLACK



- NOTES: UNLESS OTHERWISE SPECIFIED
- DRAFT ANGLE PERMISSIBLE 0.25° MAXIMUM.
 - ALL DIMENSIONS SHOWN IN MILLIMETERS.
 - DIMENSIONING AND TOLERANCING PER ASME Y14.5M-1994
 - RADII ON ALL CORNERS SHOWN SHARP OR ALL UNSPECIFIED RADII: 0.25 EXCEPT AS NOTED.
 - STANDARD COLORS FOR POLARIZATION (SEE CHART). DEVIATION REQUIRES APPROVAL OF AUTHORIZED PERSON.
 - A FULL SHROUD ON THE MATING CONNECTOR IS REQUIRED TO INSURE THAT THE CONNECTOR-HEADER POLARIZATION FEATURES (OPTIONS A THRU H) WILL FUNCTION. THE SHROUD ALSO PREVENTS SCOOP DAMAGE TO THE HEADER PINS. REFER TO "SAE/USCAR-12 CONNECTOR DESIGN GUIDE LINES" FOR ADDITIONAL INFORMATION.
 - REFER TO USCAR/EWCAP PART LIST AS FOUND ON WEBSITE <http://www.uscarteams.org>
 - FOR BLADE TERMINAL DESIGN INFORMATION SEE EWCAP DWG. # EWCAP-001
 - THIS IS A 100% CAD GENERATED PART. THE CAD MATHEMATICAL DATA IS THE MASTER FOR THIS PART. FOR DIMENSIONAL OR ANY INFORMATION NOT SHOWN ON THIS DRAWING, ANALYZE THE CAD MODEL.



REV	DESCRIPTION	DATE	DWN	CHK	
162	C	CHARTED DIMENSION ADDED FOR WITH AND WITHOUT CLIPSLLOT	8-3-20	GE	MV
088	B23	ADDED DRAFT DIRECTION SYMBOL	3-25-11		
088	B22	ADDED REF DIMENSION FOR	3-11-11		
		LATCH HEIGHT			
088	B21	REMOVED THE WORD "OPTION" AT VIEW OF BACK ANGLE	3-11-11		
088	B20	CHANGED FROM 1.79 TO 1.80	3-11-11		
088	B19	ADDED 4X (0.805) 0.20 ±0.05 AT BASE AND 0.30 ±0.05 AT TIP FOR 2.8	1-14-11		
		BLADE TERMINALS			
088	B18	CHANGED 16X TO 12X FOR THE 1.5	1-14-11		
		BLADE TERMINALS			
088	B17	UPDATED CONNECTOR COLORS	1-14-11		
088	B16	ADDED -G-	5-04-10		
088	B15	REMOVED 0.10 ±0.05	5-04-10		
088	B14	REMOVED SHORTING BAR NOTE	5-04-10		
088	B13	UPDATED NOTE 8 REMOVED REV F	5-04-10		
088	B12	ADDED NOTE 9	5-04-10		
088	B11	ADDED DIM 1.35±0.10/-0.20 MEASURED AT 2.9 FROM -A- ALL AROUND	5-04-10		
088	B10	ADDED SEE NOTE 8	5-04-10		
088	B9	2.50 WAS 2.80, ADDED (280-T001)	5-04-10		
088	B8	ADDED 0.50 ±0.05	5-04-10		
088	B7	ADDED 0.20 ±0.05	5-04-10		
088	B6	ADDED DIM 8.43	5-04-10		
088	B5	ADDED SEC C-C	5-04-10		
088	B4	UPDATED SEC B-B	5-04-10		
088	B3	ADDED DETAIL D	5-04-10		
088	B2	ADDED SEC C-C	5-04-10		
088	B1	ADDED DIM 0.70±0.15 ALL AROUND	5-04-10		
088	B	RELEASED	5-04-10	KC	MV

CHANGE SERIAL NUMBER	LET	REVISION RECORD	DATE	DWN	CHK

TOLERANCES (UNLESS OTHERWISE SPECIFIED): DIMENSIONS ARE IN MILLIMETERS, ANGLES ±3°

SCALE: 4-1, DRAWN BY: G.ELLIOTT, CHECKED BY: M.VANSLAMBROUCK, DATE: 08-03-20

TITLE: DIRECT CONNECT INTERFACE, 16 WAY (2 X 8) 1.5MM SEALED MALE

EWCAP logo

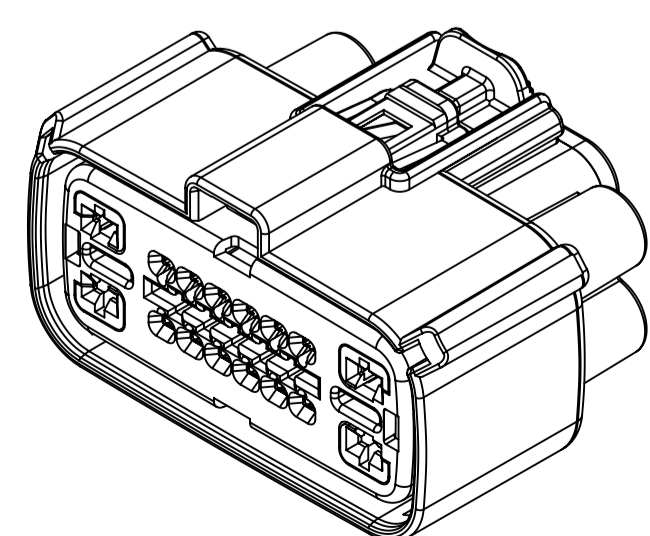
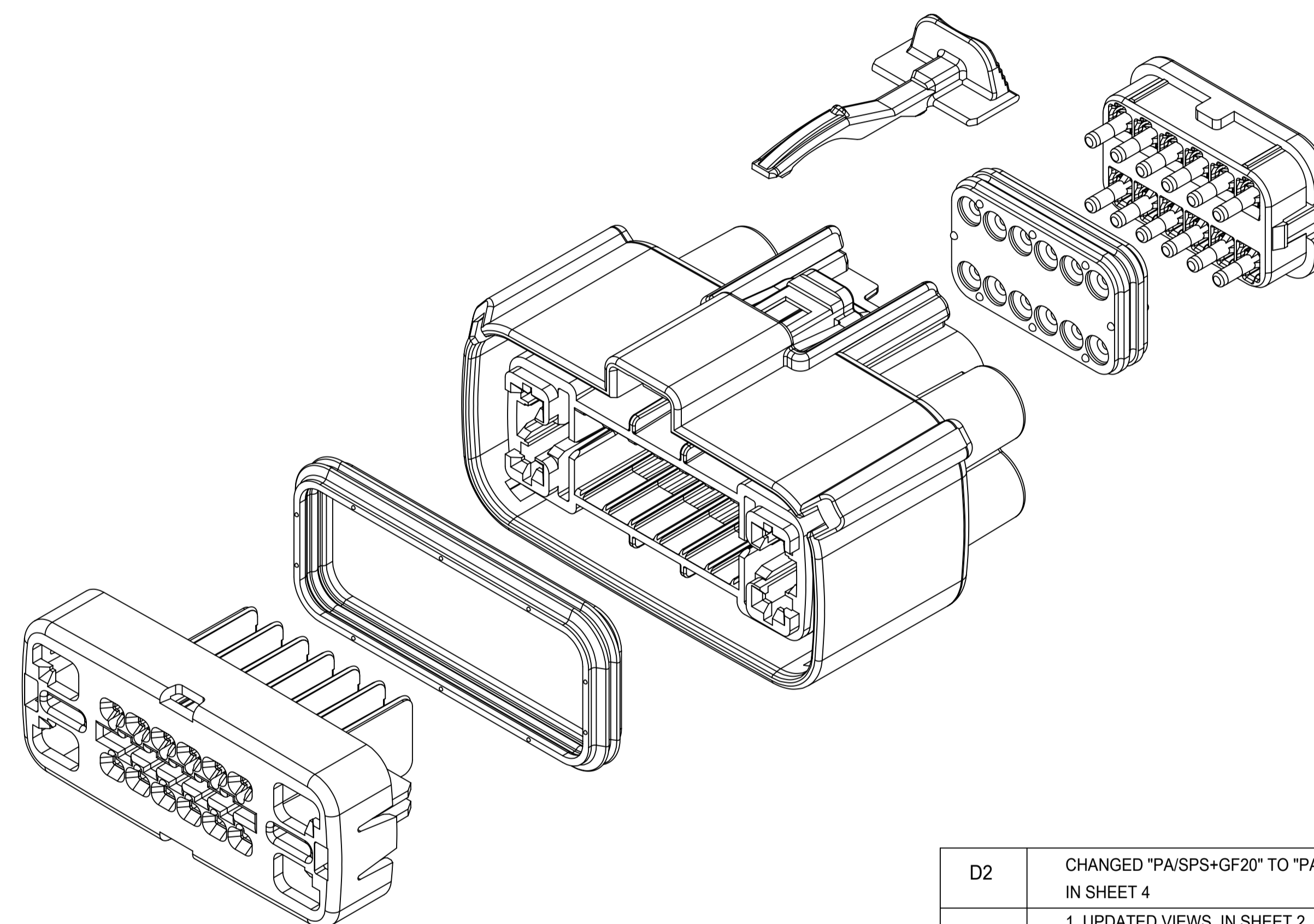
TABLE OF CONTENTS	
SHEET NO.	SHEET DESCRIPTION
1	NOTES AND BOM
2	CONFIGURATIONS
3	KEY CONFIGURATIONS
4	RECEPTACLE CONNECTOR ASSEMBLY

NOTES: VALID UNLESS OTHERWISE SPECIFIED

1. GENERAL:
- a. APPLICATION SPECIFICATION SEE: AS-33472-100
- CONTAINS: PRODUCT INTRODUCTION, PRODUCT SUMMARY, CONNECTOR ASSEMBLY, PACKAGING INFORMATION, CONNECTOR MATING, SERVICE INSTRUCTIONS, ELECTRICAL CONTINUITY CHECKING, CRIMPING, AND TROUBLESHOOTING.
 - DESIGNED TO MATE WITH DEVICE OR CONNECTOR AS SPECIFIED IN THE MATING INTERFACE/CONNECTOR DRAWINGS CHART.
 - *DENOTES DRAWINGS THAT CAN BE ACCESSED AT <http://ewcap.uscarteams.org/>.
 - ASSEMBLY SHIPPED WITH PLR IN PRE-LOCK POSITION (SEE PLR PRE-LOCK VIEW SHEET 4).
- b. PRODUCT SPECIFICATION SEE: PS-33476-000
- CONTAINS: PRODUCT INTRODUCTION, PRODUCT SUMMARY, RATINGS (CURRENT, TEMPERATURE, SEALING, AND FLAMMABILITY), TERMINALS, WIRE DIAMETER RANGE, PRODUCT VALIDATION, AND PRODUCT DEVIATIONS.
- c. PACKAGING SPECIFICATION PER MOLEX DRAWING: SEE PACKAGING CHART
- d. PARTS MUST BE IN COMPLIANCE TO MOLEX CHEMICAL SUBSTANCES FOR PRODUCTS AND PACKAGING SPECIFICATION: QEHS-699000-300
- e. DATA MUST BE SUBMITTED UNDER THE MOLEX PART NUMBER TO IMDS (COMPANY ID#13255)
2. DESIGN - MATERIALS:
- a. SEE BOM TABLE IN SD-34985-8002
3. DESIGN - GEOMETRY:
- a. THE 3-D CAD DATA IS BASIC (WITHOUT TOLERANCE) AND MASTER FOR THIS PART WITH THE EXCEPTION OF UNDERLINED DIMENSIONS. DIMENSIONAL INFORMATION NOT SHOWN ON THIS DRAWING IS DEFINED BY THE DATA FILE AT ITS LATEST REVISION.
- b. GEOMETRIC DIMENSIONS AND TOLERANCES PER ASME Y14.5M-2009
- c. EDGES AND UNDIMENSIONED DETAILS PER ISO13715
- d. CORNERS SHOWN AS SHARP TO BE R 0.2 MAX.
- e. LETTERING SHALL BE 0.15 MAX RAISED IN 0.25 MAX RECESS PAD. THIS INCLUDES RECYCLING CODE, CAVITY ID, VENDOR IDENTIFICATION, AND CUSTOMER MATERIAL NUMBER.
- f. VISUAL DEFECTS SHALL MEET COSMETIC STANDARD PS-45499-002 (Class B).
- g. LASER MARKING:
1. PART NUMBER
 2. DAY OF THE YEAR
 3. SHIFT
 4. YEAR
- FOR ADDITIONAL INFORMATION SEE SECTION 5 UNDER PROCEDURES IN ES-34735-008.

PACKAGING	
DESCRIPTION	DRAWING NO.
W/ CLIPSLOT	PK-30907-895
W/O CLIPSLOT	PK-31300-094

MATING INTERFACE/CONNECTOR DRAWINGS		
DESCRIPTION	INTERFACE DEFINITION	MOLEX INLINE
W/O SHORTING BAR	*999-S-016-2-Z02	SD-34986-8001
W/ SHORTING BAR	N/A	SD-34986-8001



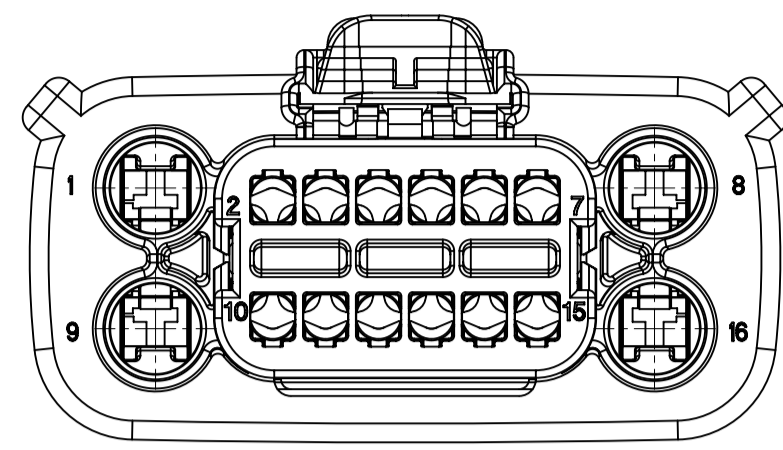
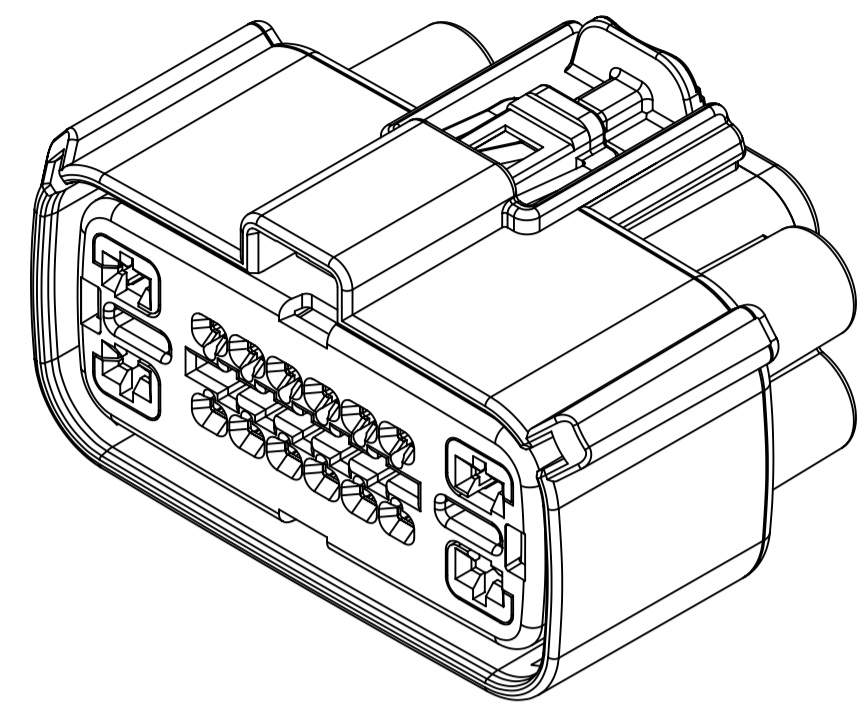
INSPECTION NUMBER LOG	
LAST NUMBER: 11	
ADDED:	
REMOVED:	

D2	CHANGED "PA/SPS+GF20" TO "PA/SPS-GF20" IN SHEET 4
D1	1. UPDATED VIEWS IN SHEET 2 2. CHANGED DIM 10.98 TO 11.00, 6.61 TO 6.60, 15.00+/-0.10 TO 15.00+0.30/-0.20 IN SHEET 4
D	REMOVED BOM (REFER TO SD-34985-8002)
C	NEW P/N 34985-4026 THRU 4028
B	NEW P/N 34985-4023 THRU 4025
A2	UPDATED PACKAGING DWGS
A1	FIXED TYPO IN NOTE 1a
A	INITIAL RELEASE
REV	REV DESCRIPTION

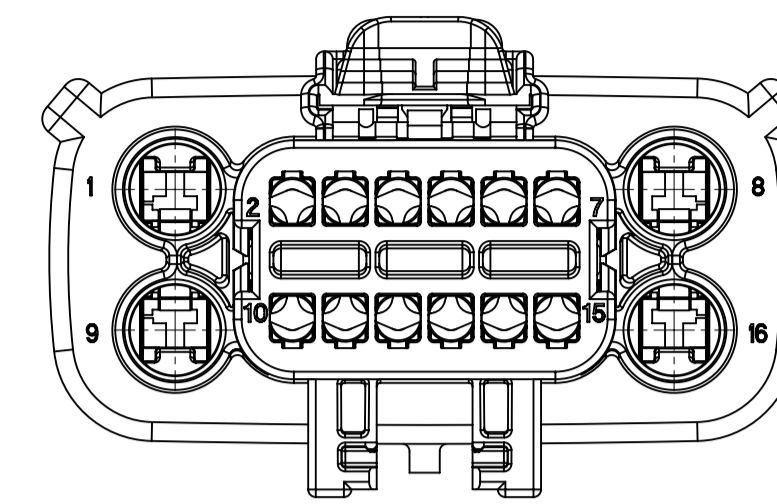
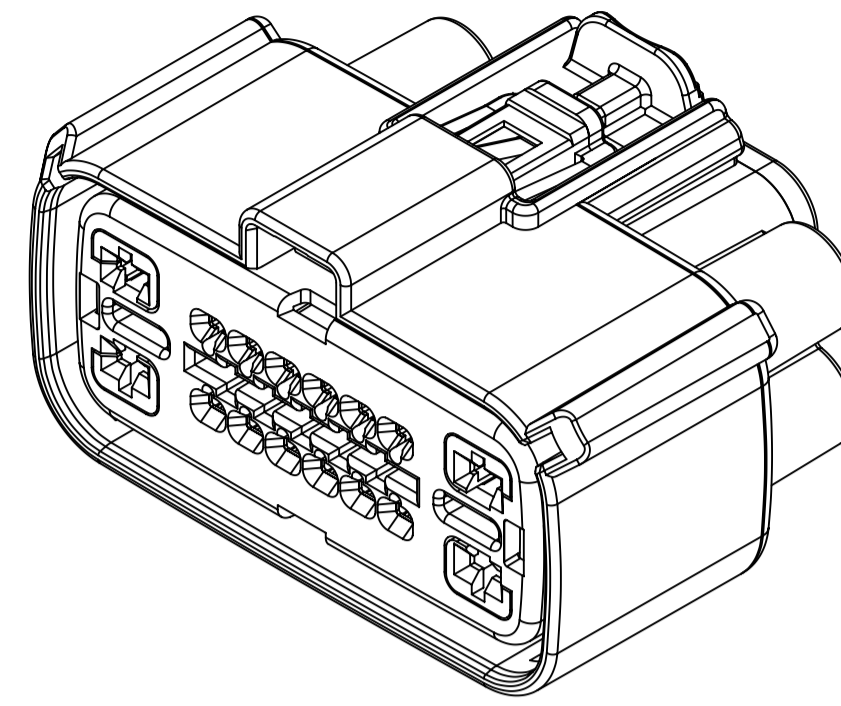
SYMBOLS	THIS DRAWING CONTAINS INFORMATION THAT IS PROPRIETARY TO MOLEX ELECTRONIC TECHNOLOGIES, LLC AND SHOULD NOT BE USED WITHOUT WRITTEN PERMISSION		CURRENT REV DESC:		
	DIMENSION UNITS	SCALE			
= 0	mm	1.5:1	EC NO: 619601		MX150 16 WAY HYBRID RECP T SEALED ASSEMBLY
= 0	GENERAL TOLERANCES (UNLESS SPECIFIED)		DRWN: HKLIANG 2019/07/25		
= 0	ANGULAR TOL ± 3.0°		CHK'D: MVANSLAMBROU 2019/08/02		
= 0	4 PLACES ±		APPR: MVANSLAMBROU 2019/08/02		
= 0	3 PLACES ±		INITIAL REVISION:		
= 0	2 PLACES ± 0.1		DRWN: TYE 2014/09/12		
= 0	1 PLACE ± 0.3		APPR: VKOSHY 2014/09/22		
= 0	0 PLACES ±		THIRD ANGLE PROJECTION		
= 0	DRAFT WHERE APPLICABLE MUST REMAIN WITHIN DIMENSIONS		DRAWING	SERIES	MATERIAL NUMBER
			A1-SIZE	34985	CUSTOMER
					GENERAL MARKET
					SHEET NUMBER
					1 OF 4

SHEET DESCRIPTION

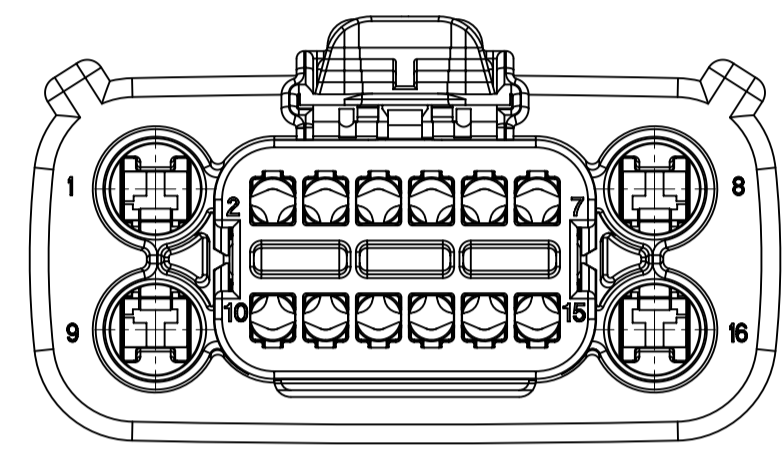
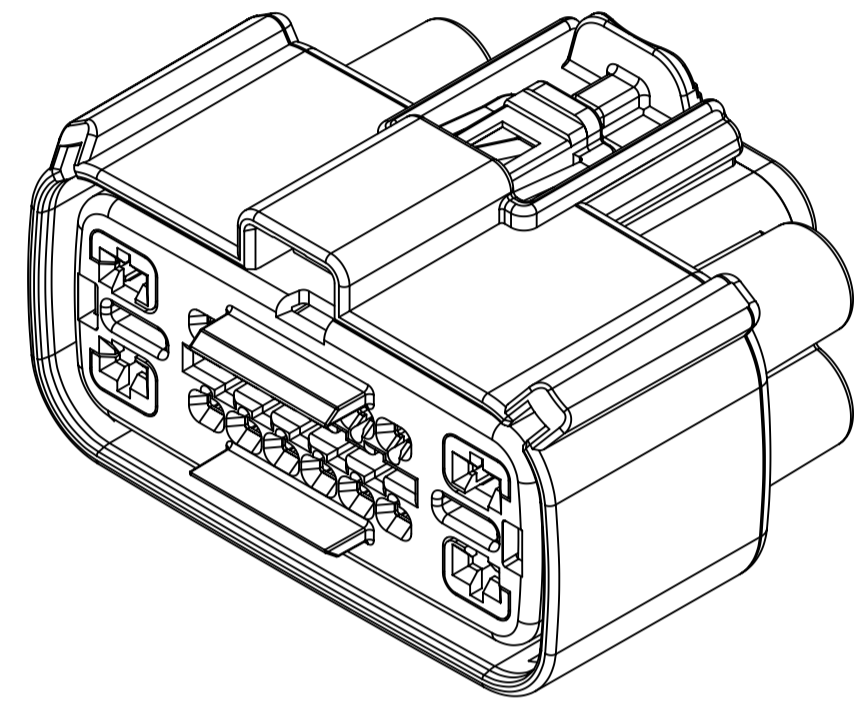
CONFIGURATIONS



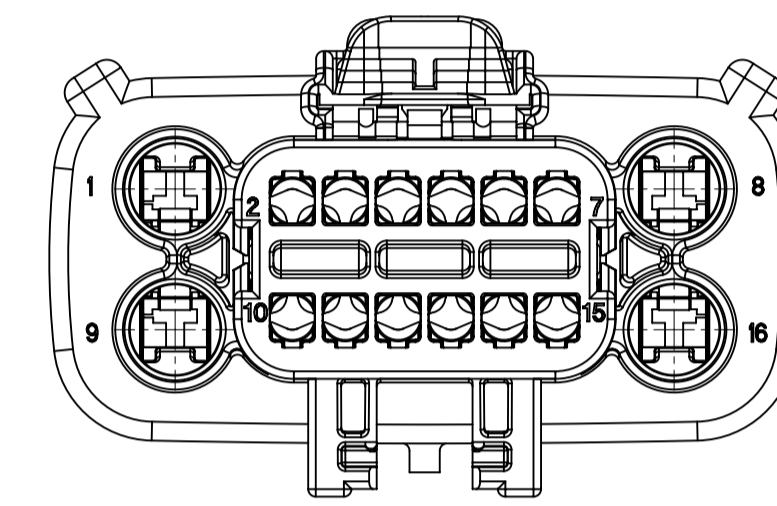
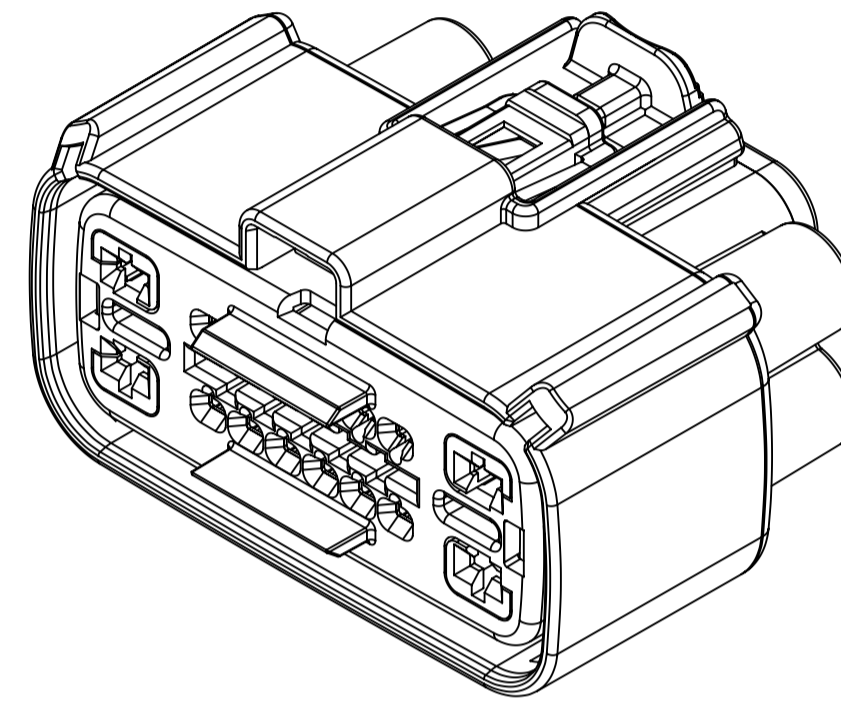
STANDARD (STD) - ALL OPEN 2.8mm CAVITIES



STANDARD (STD) - ALL OPEN 2.8mm CAVITIES WITH CLIPSLOT



SHORTING (SHRT) BAR - ALL OPEN 2.8mm CAVITIES

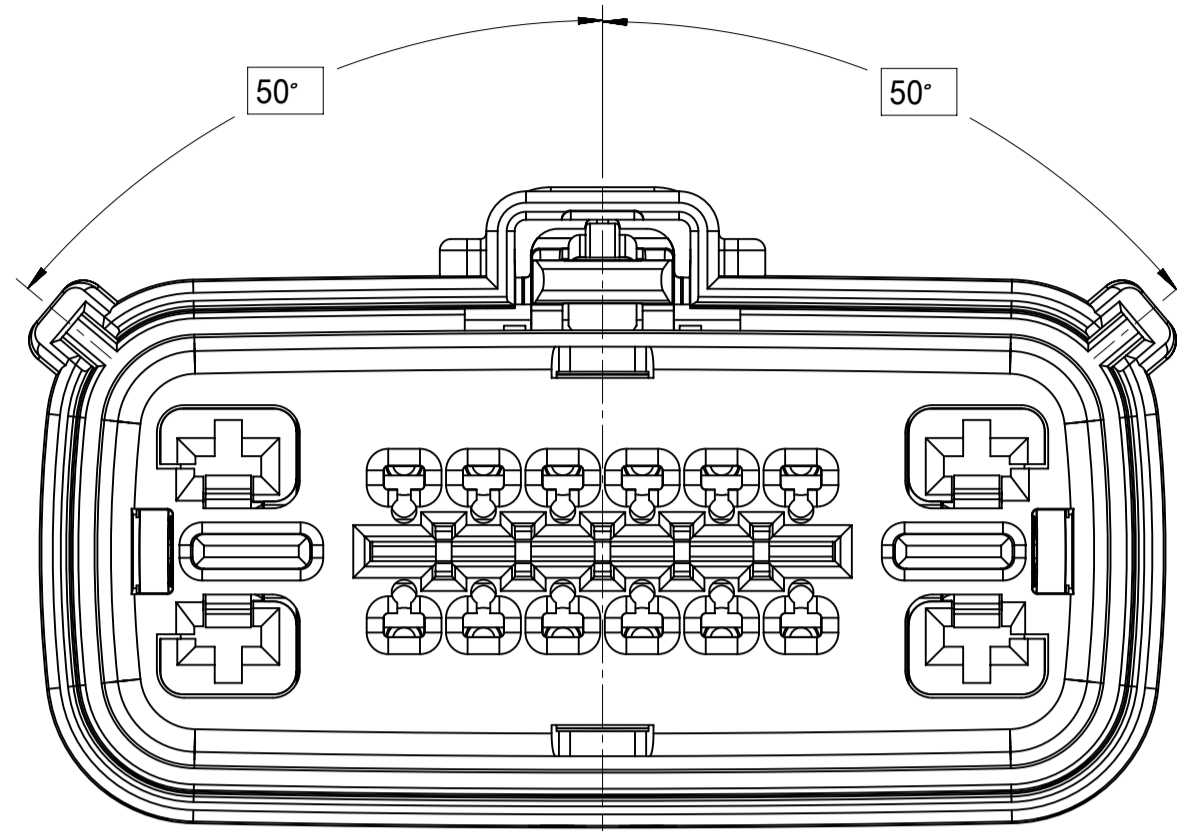


SHORTING (SHRT) BAR - ALL OPEN 2.8mm CAVITIES WITH CLIPSLOT

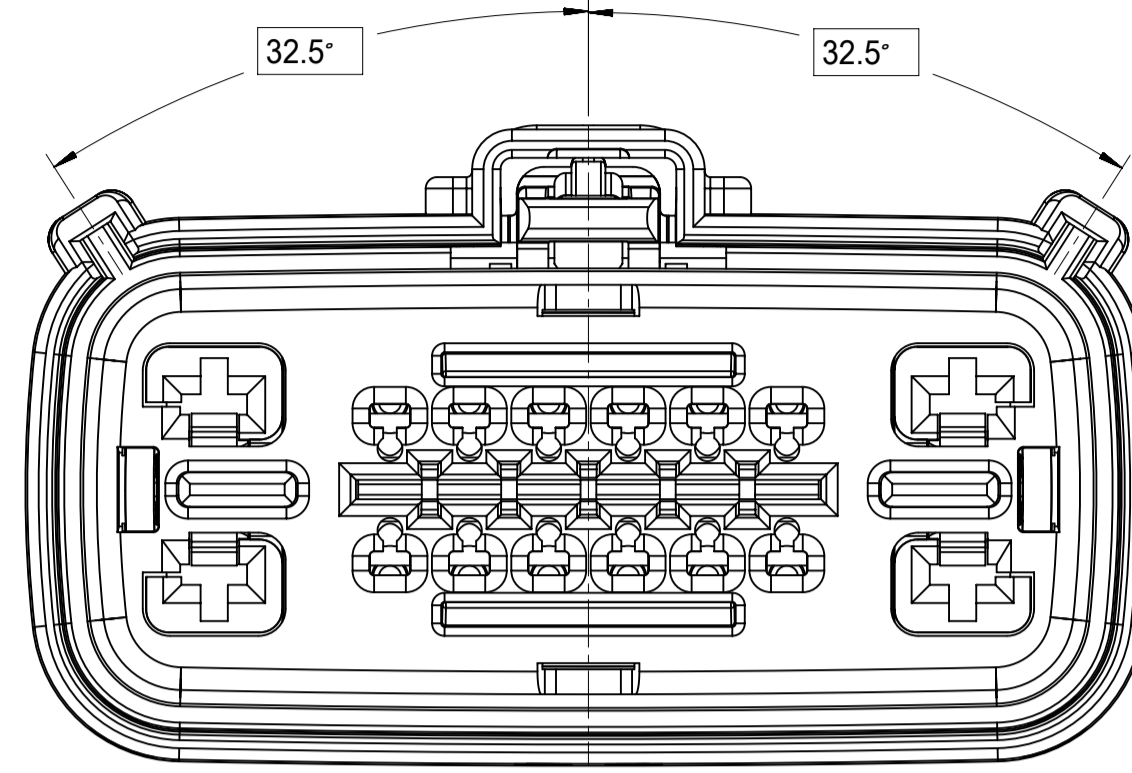
SYMBOLS		THIS DRAWING CONTAINS INFORMATION THAT IS PROPRIETARY TO MOLEX ELECTRONIC TECHNOLOGIES, LLC AND SHOULD NOT BE USED WITHOUT WRITTEN PERMISSION		CURRENT REV DESC:		molex			
	= 0	DIMENSION UNITS	SCALE	EC NO: 619601 DRWN: HKLIANG 2019/07/25 CHK'D: MVANSLAMBROU 2019/08/02 APPR: MVANSLAMBROU 2019/08/02 INITIAL REVISION: DRWN: TYE 2014/09/12 APPR: VKOSHY 2014/09/22		MX150 16 WAY HYBRID RECPT SEALED ASSEMBLY			
	= 0	mm	2:1			PRODUCT CUSTOMER DRAWING			
	= 0	GENERAL TOLERANCES (UNLESS SPECIFIED)				DOCUMENT NUMBER	DOC TYPE	DOC PART	REVISION
	= 0	ANGULAR TOL ± 3.0°				SD-34985-8001	PSD	001	D2
	= 0	4 PLACES	±	THIRD ANGLE PROJECTION		MATERIAL NUMBER	CUSTOMER	SHEET NUMBER	
	= 0	3 PLACES	±	A1-SIZE	34985	GENERAL MARKET	2 OF 4		
	= 0	2 PLACES	± 0.1	DRAFT WHERE APPLICABLE MUST REMAIN WITHIN DIMENSIONS					
	= 0	1 PLACE	± 0.3						
	= 0	0 PLACES	±						

SHEET DESCRIPTION

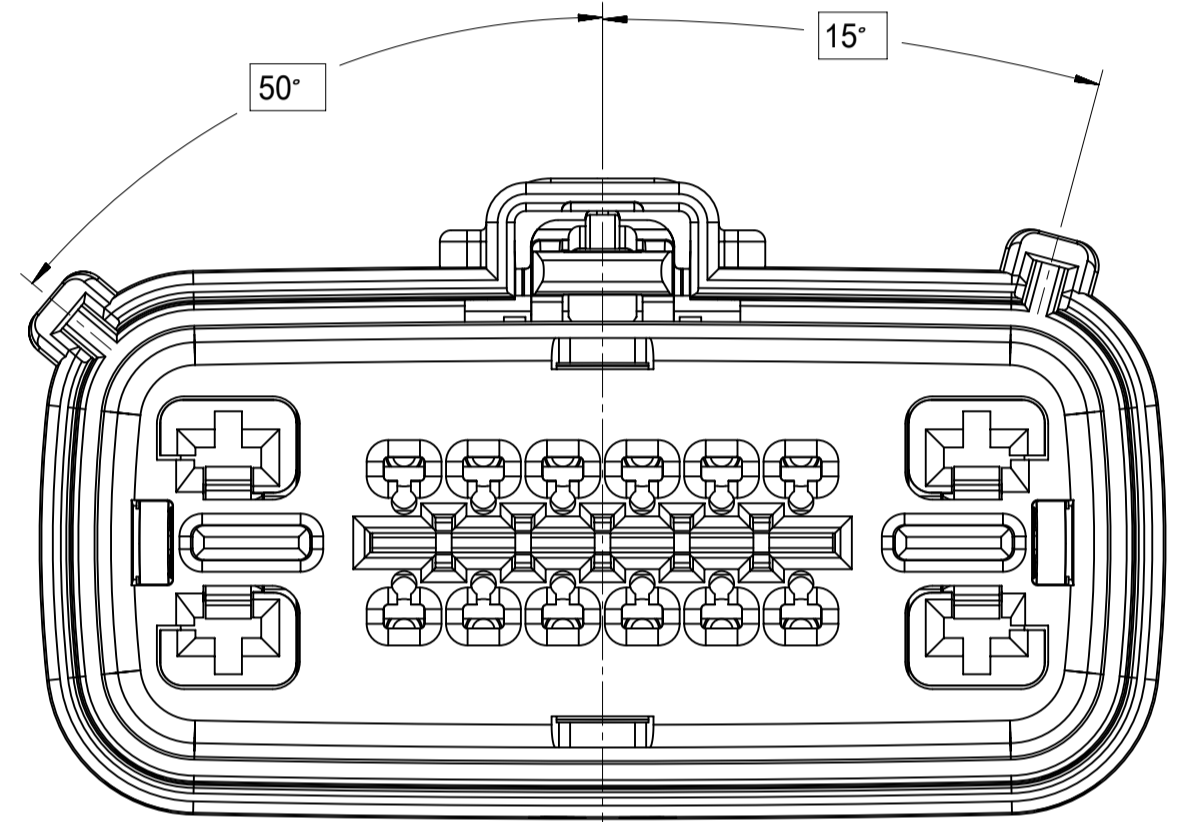
KEY CONFIGURATIONS



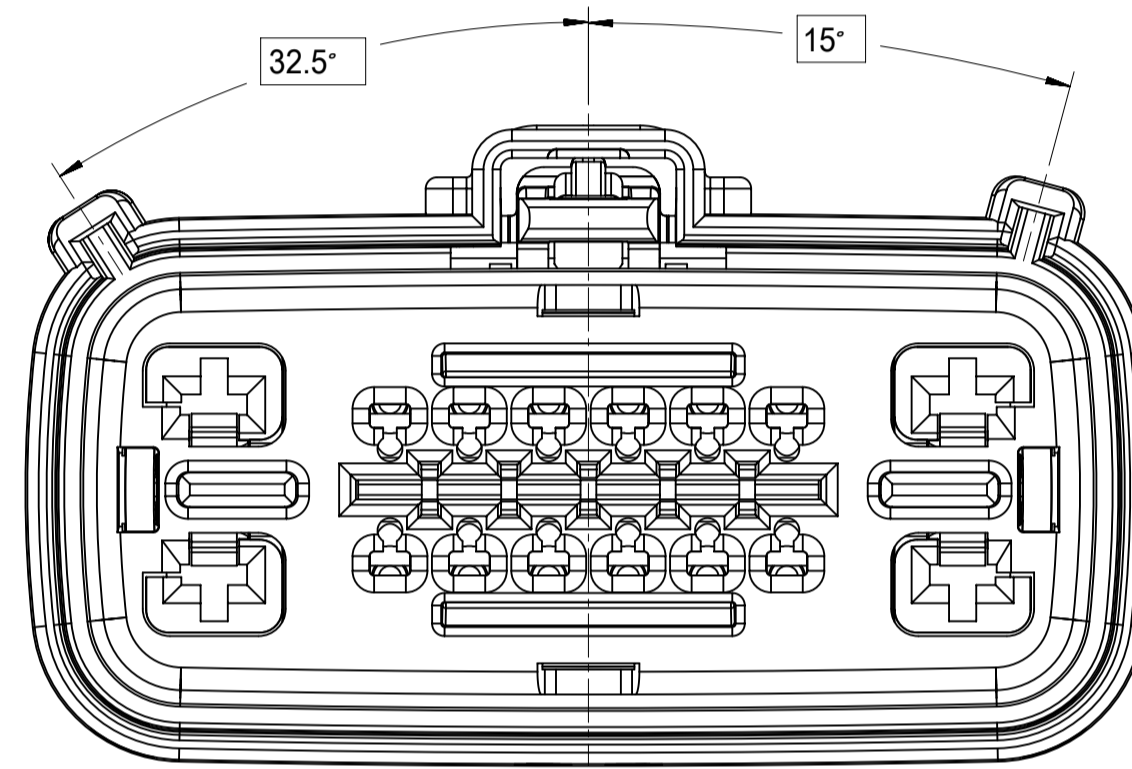
KEY A



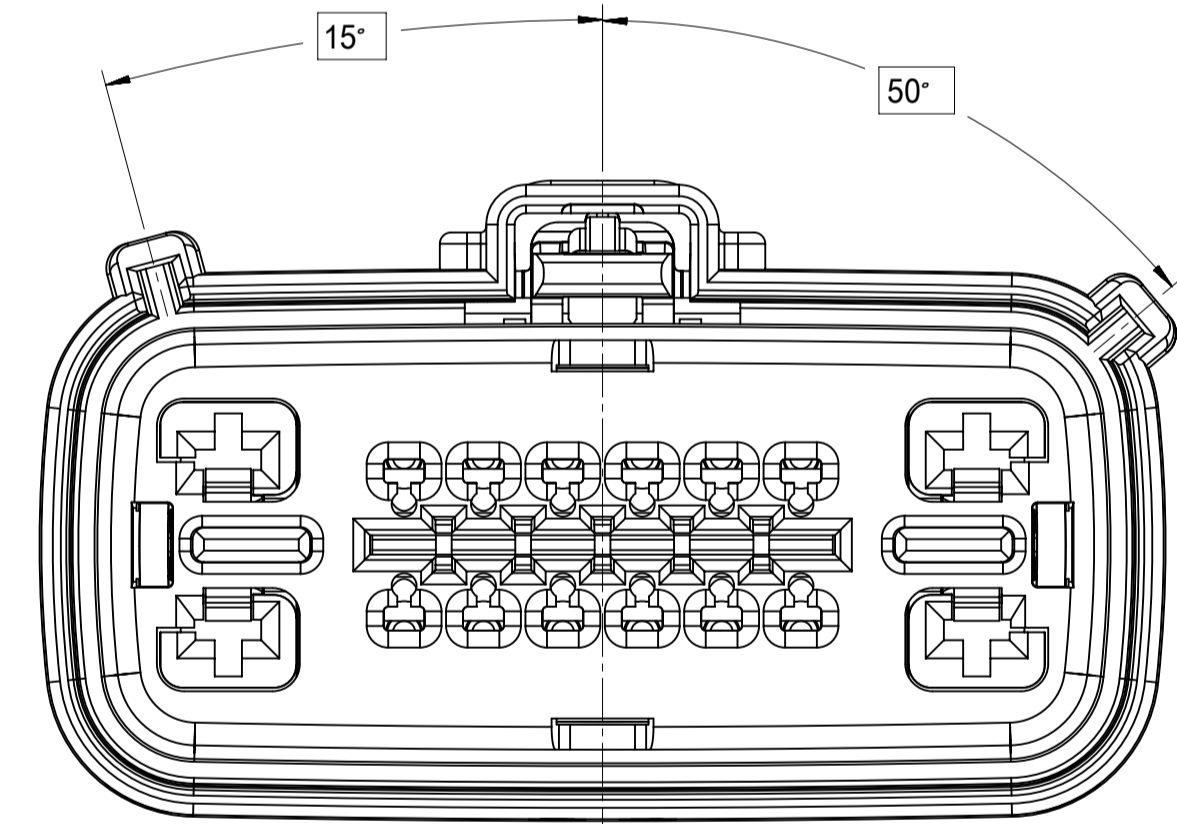
KEY E



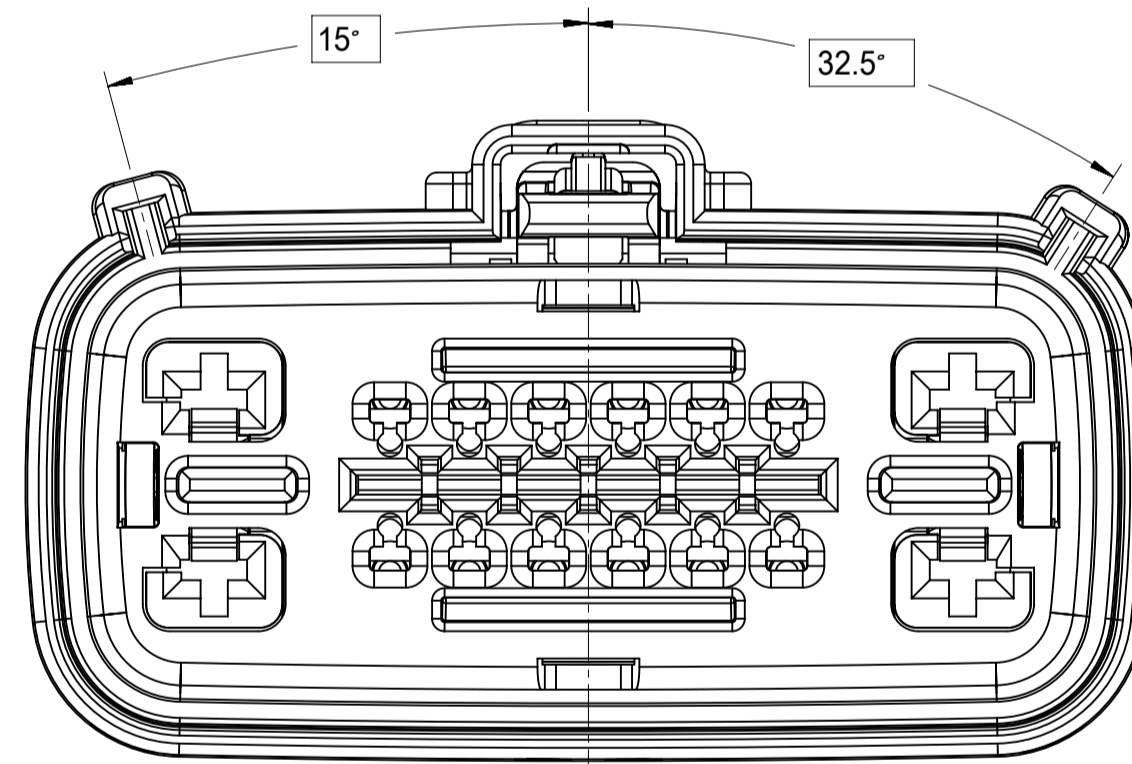
KEY B



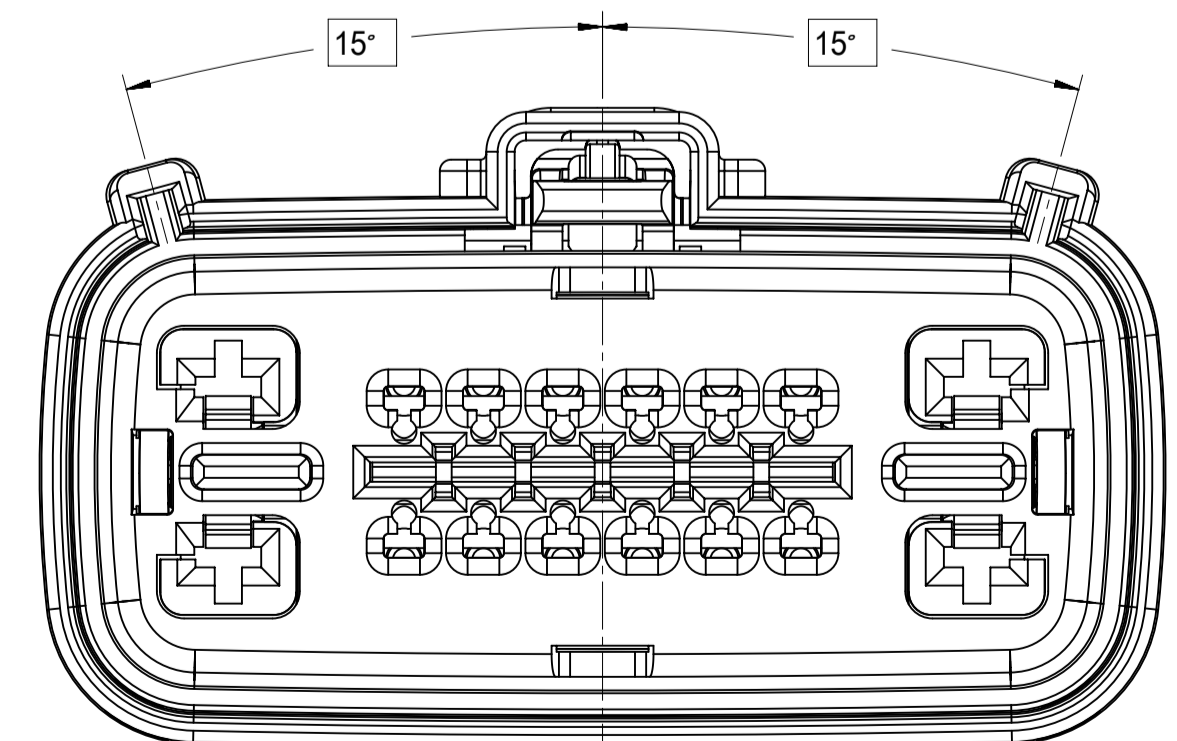
KEY F



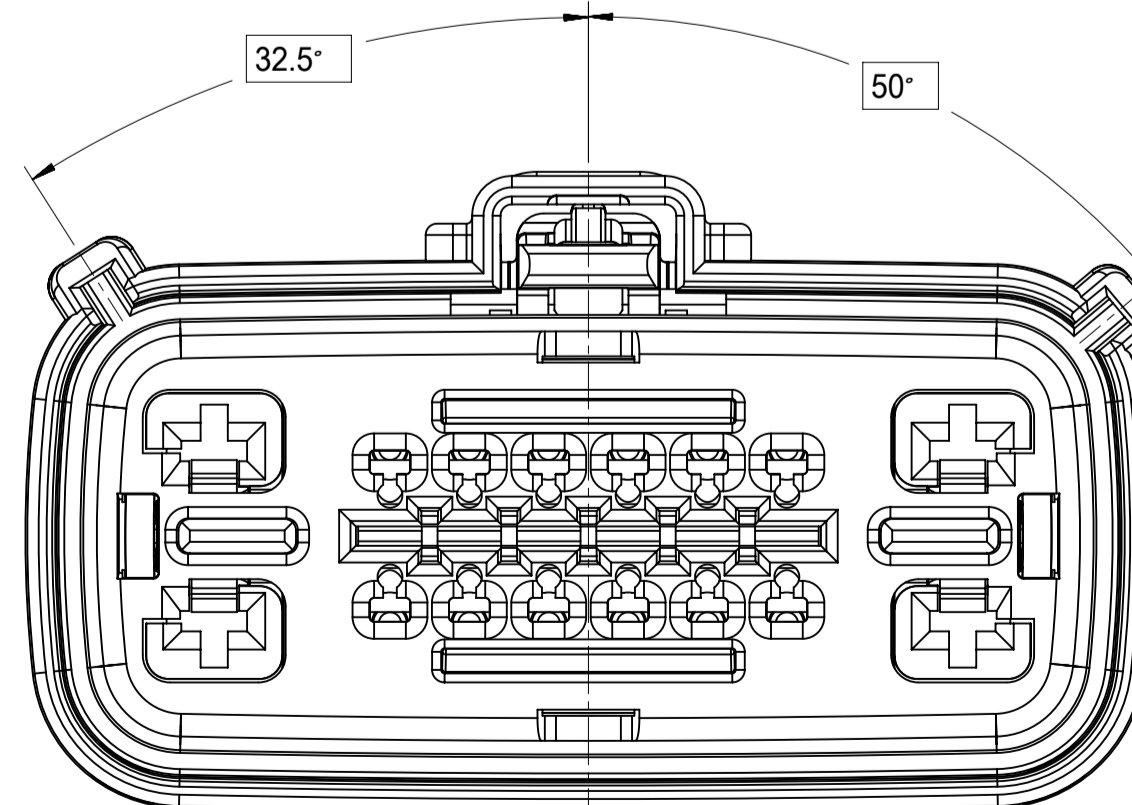
KEY C



KEY G



KEY D

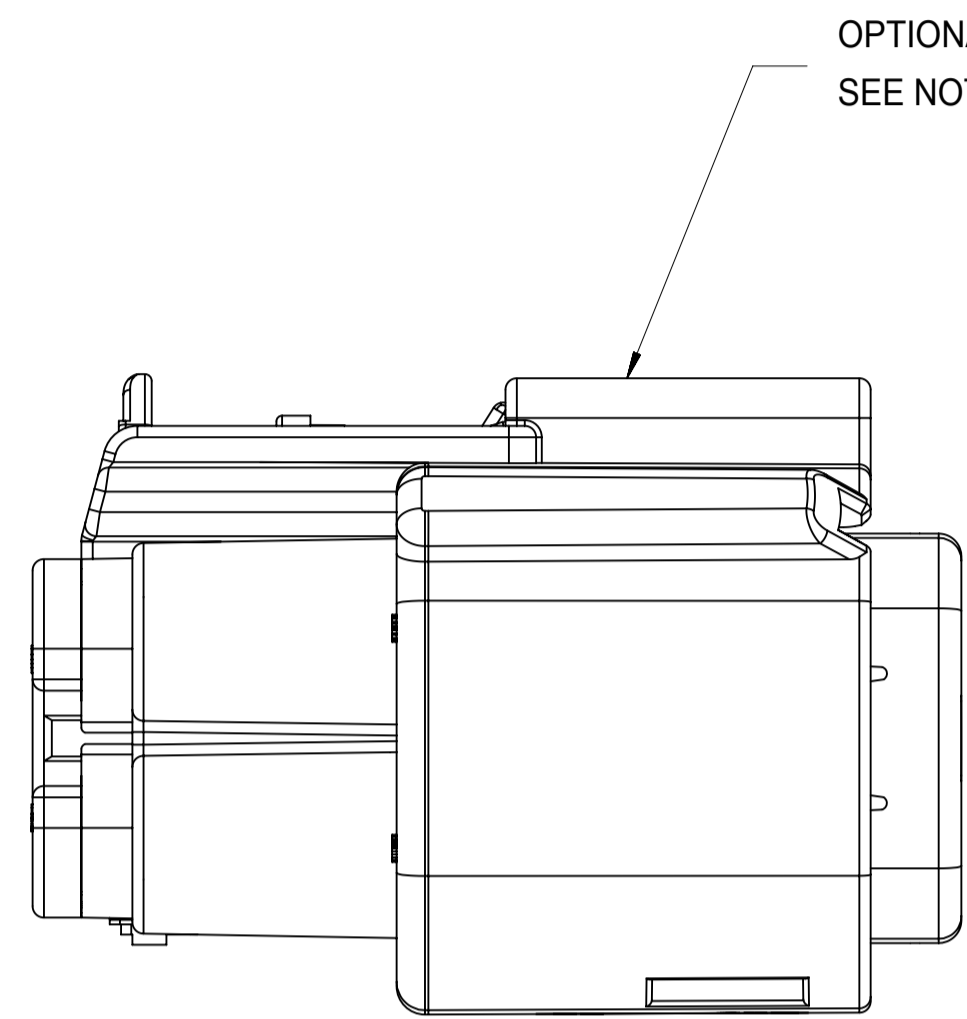


KEY H

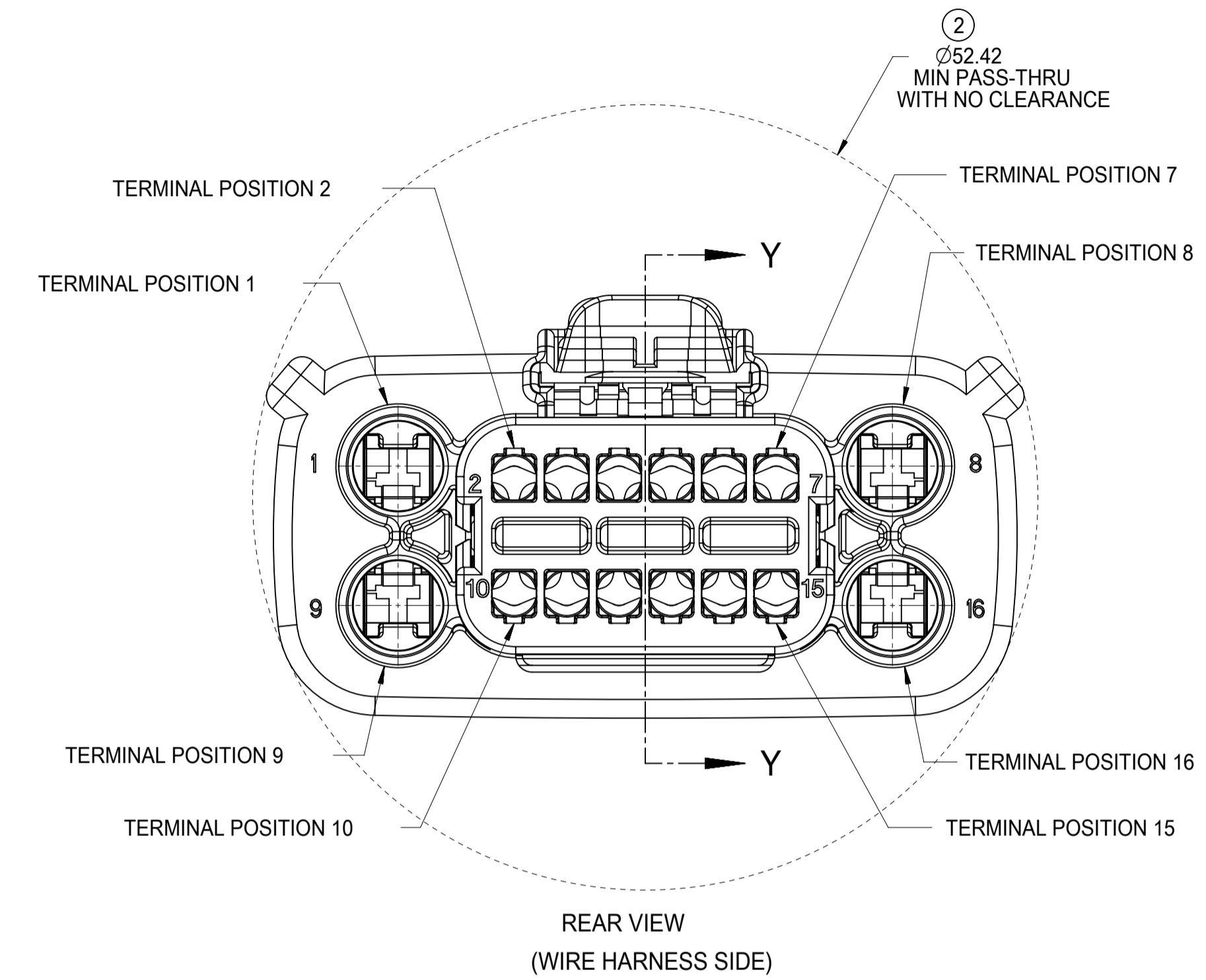
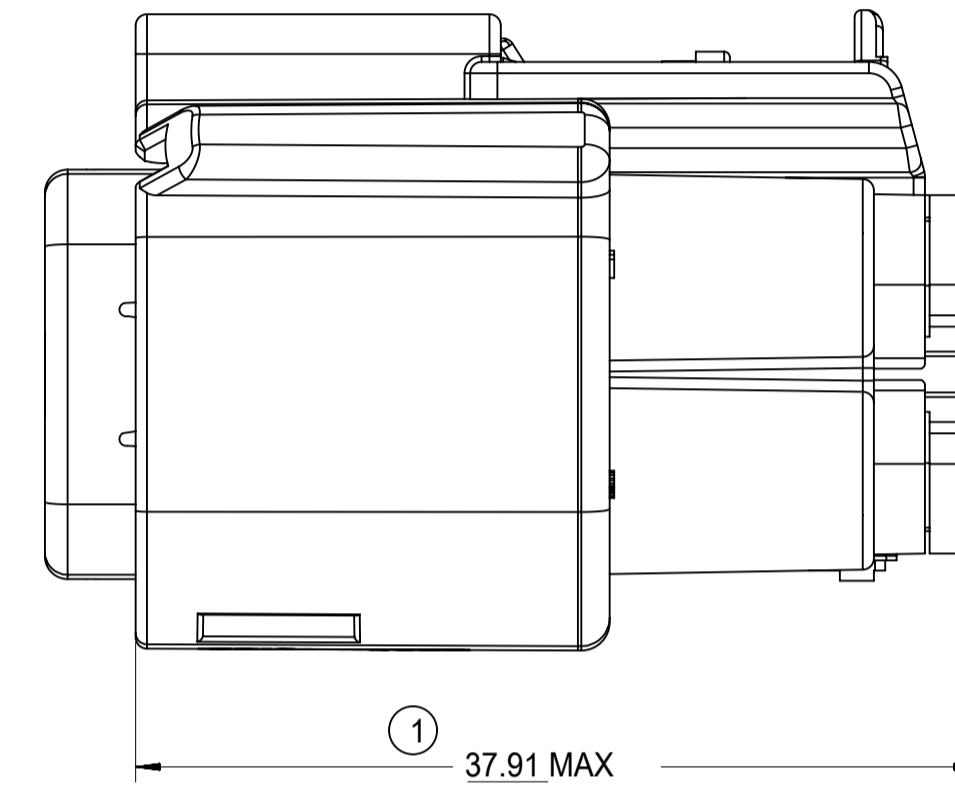
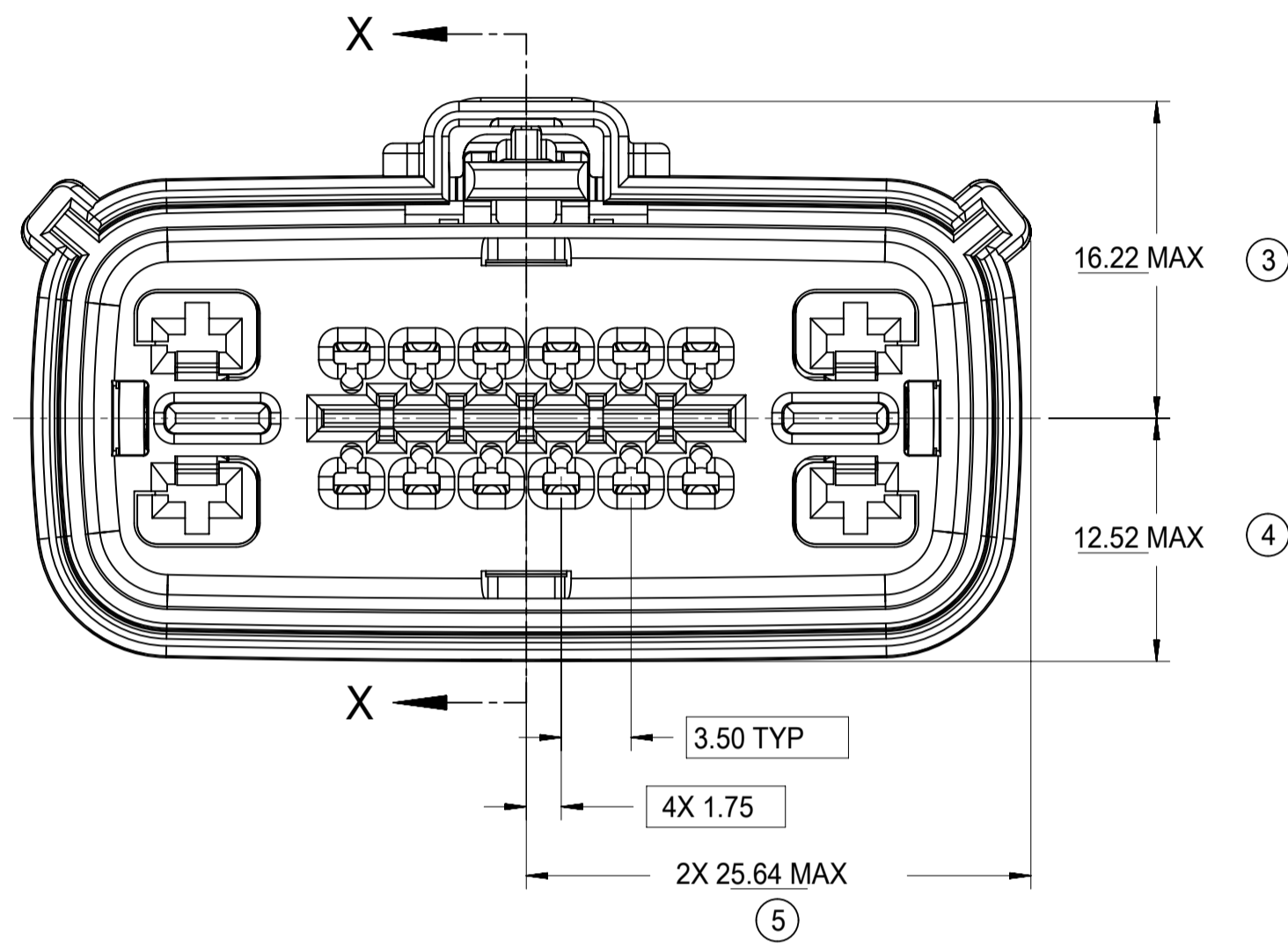
SYMBOLS = 0 = 0 = 0 = 0 = 0 = 0 = 0 = 0 = 0 = 0 = 0 = 0 = 0	THIS DRAWING CONTAINS INFORMATION THAT IS PROPRIETARY TO MOLEX ELECTRONIC TECHNOLOGIES, LLC AND SHOULD NOT BE USED WITHOUT WRITTEN PERMISSION		CURRENT REV DESC:			
	DIMENSION UNITS mm	SCALE 3:1	EC NO: 619601 DRWN: HKLIANG 2019/07/25 CHK'D: MVANSLAMBROU 2019/08/02 APPR: MVANSLAMBROU 2019/08/02			
GENERAL TOLERANCES (UNLESS SPECIFIED)		ANGULAR TOL ± 3.0°		PRODUCT CUSTOMER DRAWING		
4 PLACES ±		INITIAL REVISION:		MATERIAL NUMBER		
3 PLACES ±		DRWN: TYE 2014/09/12 APPR: VKOSHY 2014/09/22		CUSTOMER		
2 PLACES ± 0.1		THIRD ANGLE PROJECTION		SHEET NUMBER		
1 PLACE ± 0.3		DRAFT WHERE APPLICABLE MUST REMAIN WITHIN DIMENSIONS		GENERAL MARKET		
0 PLACES ±		DRAWING SERIES A1-SIZE 34985		3 OF 4		

SHEET DESCRIPTION

RECEPTACLE CONNECTOR ASSEMBLY



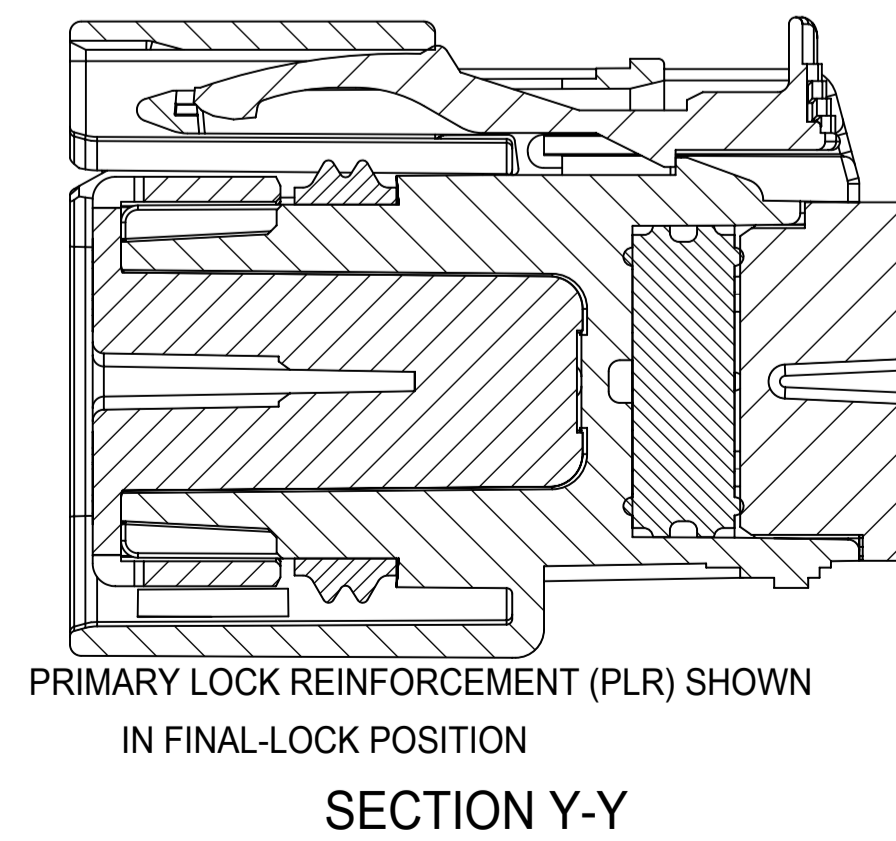
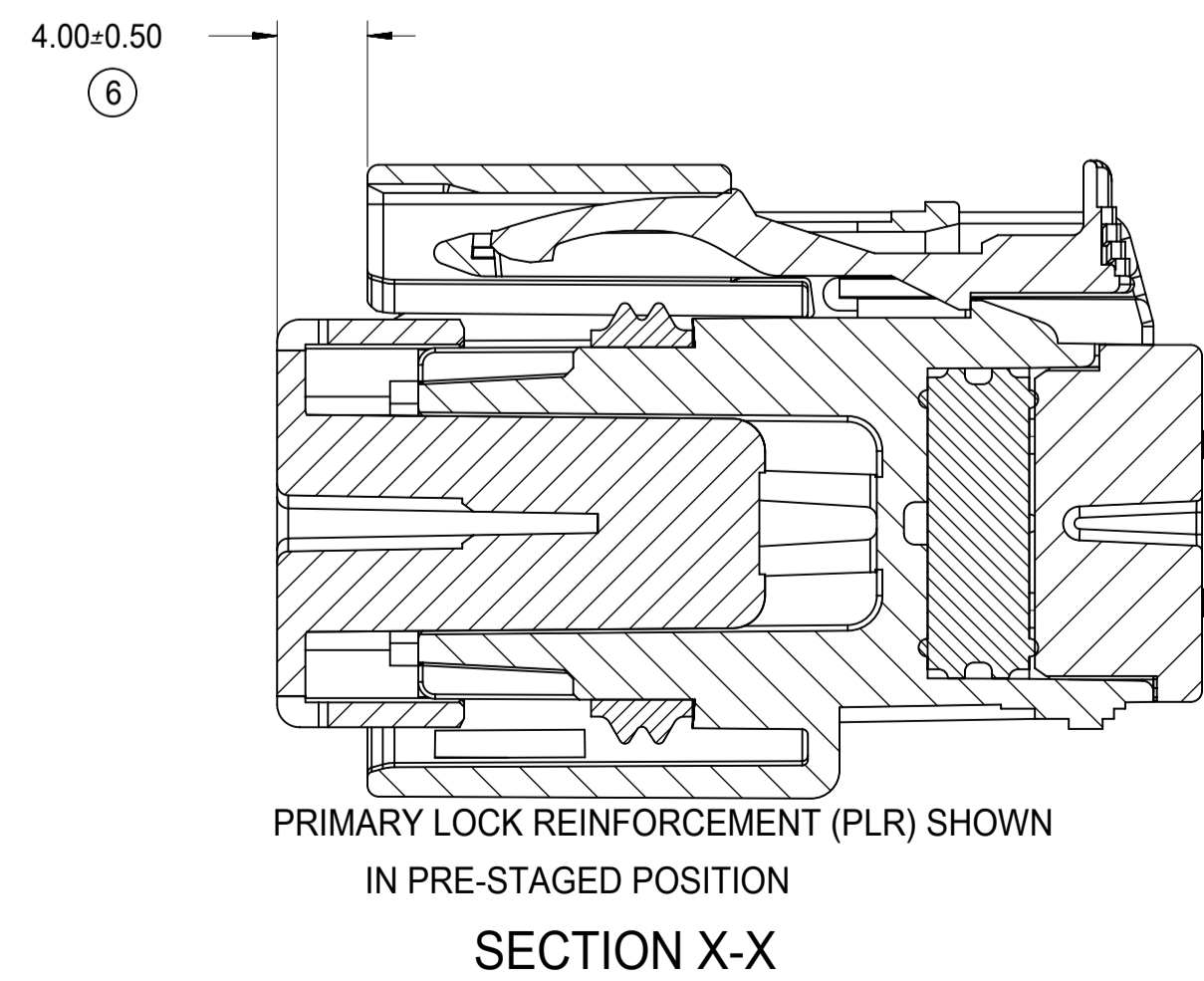
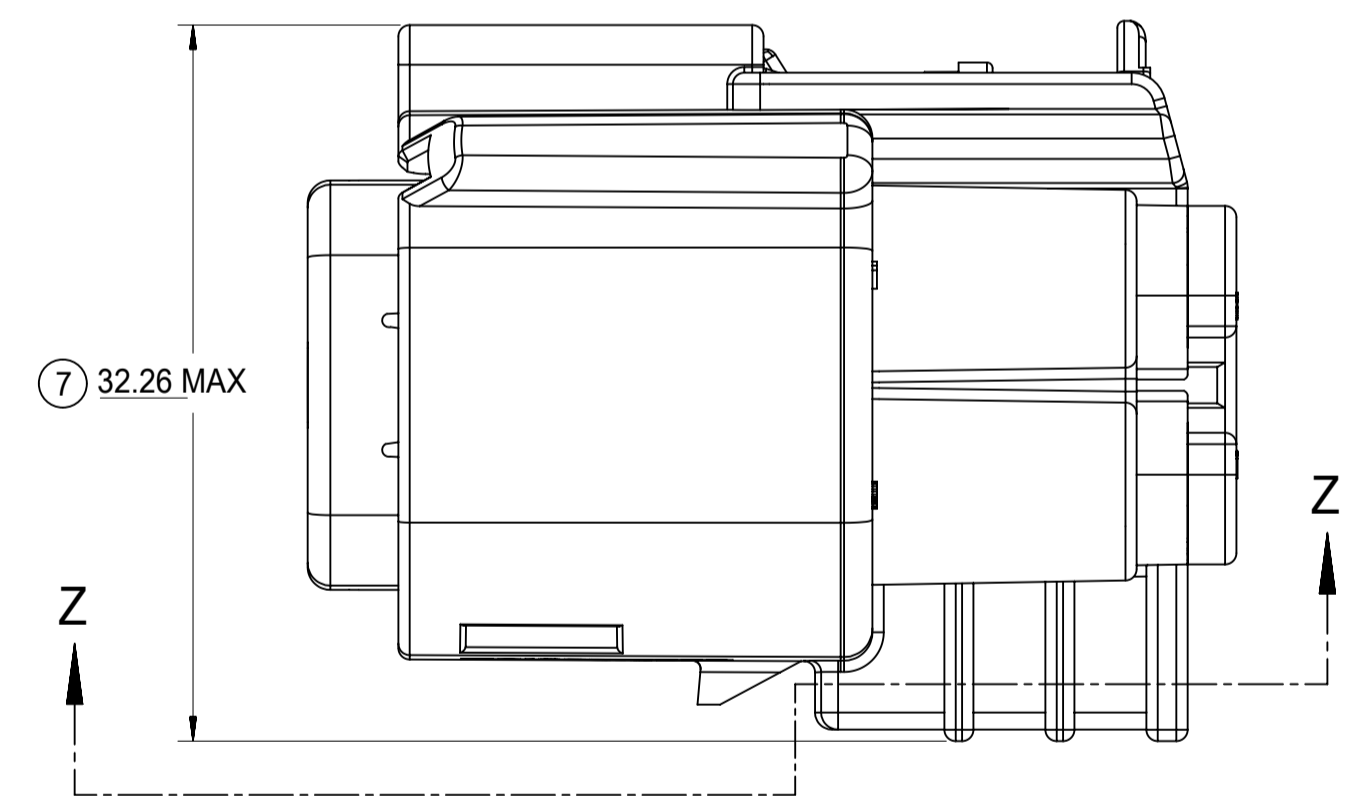
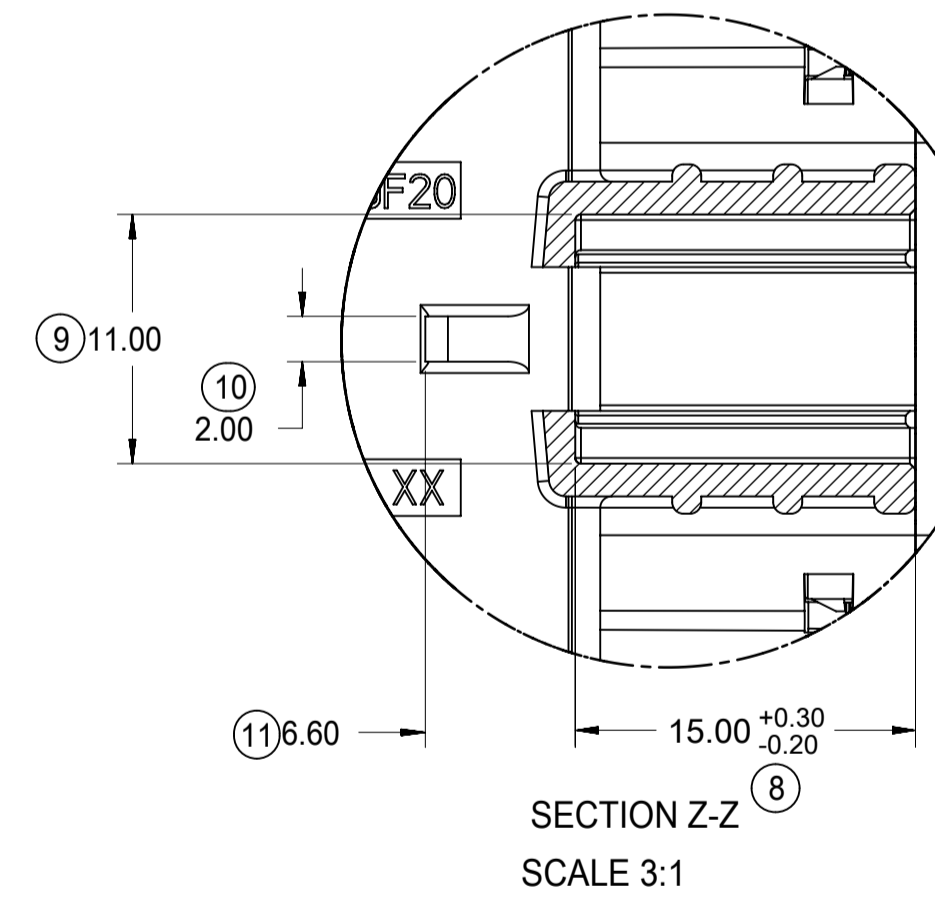
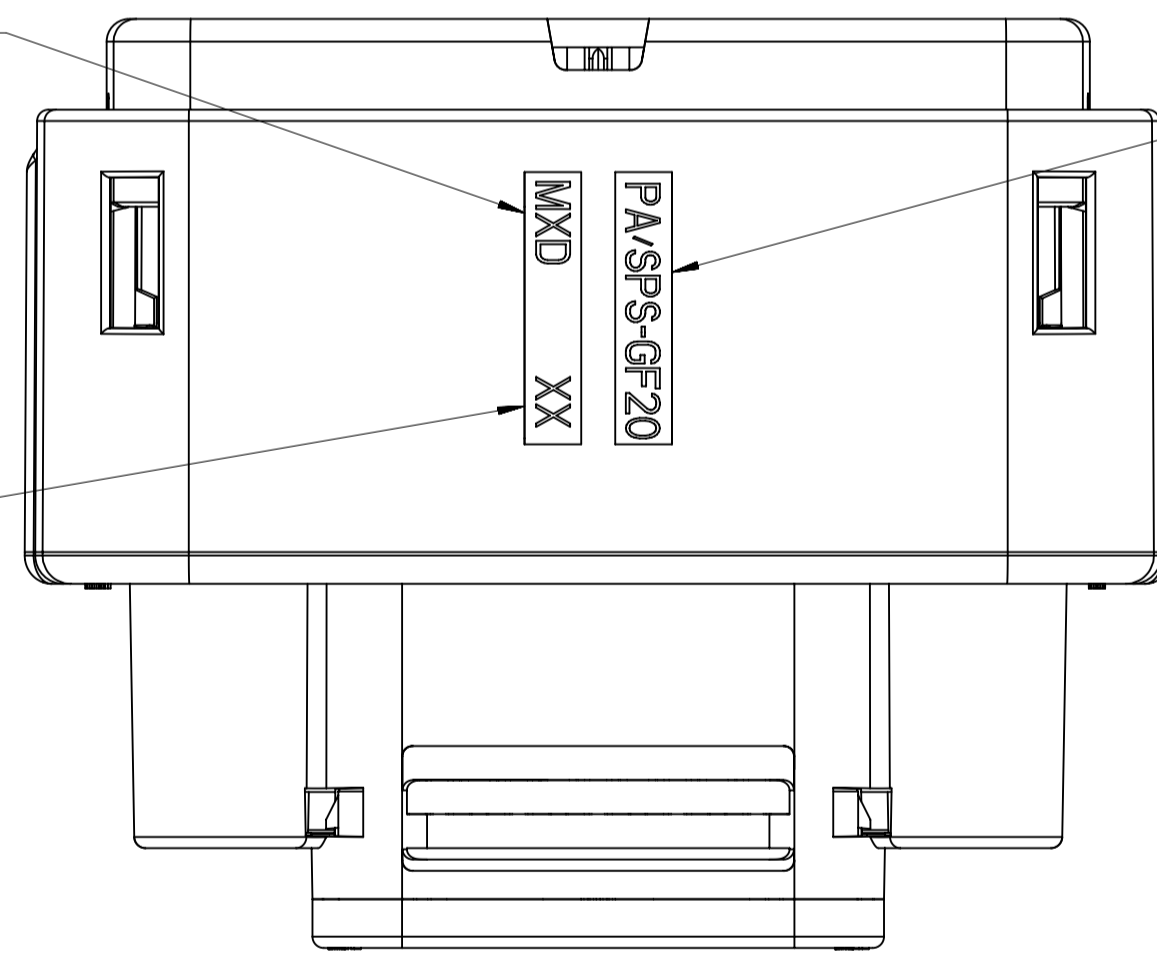
OPTIONAL LASER MARKING ON THIS SURFACE
SEE NOTE 3g.



MANUFACTURING LOCATION
CODE THIS LOCATION

RECYCLE CODE
THIS LOCATION

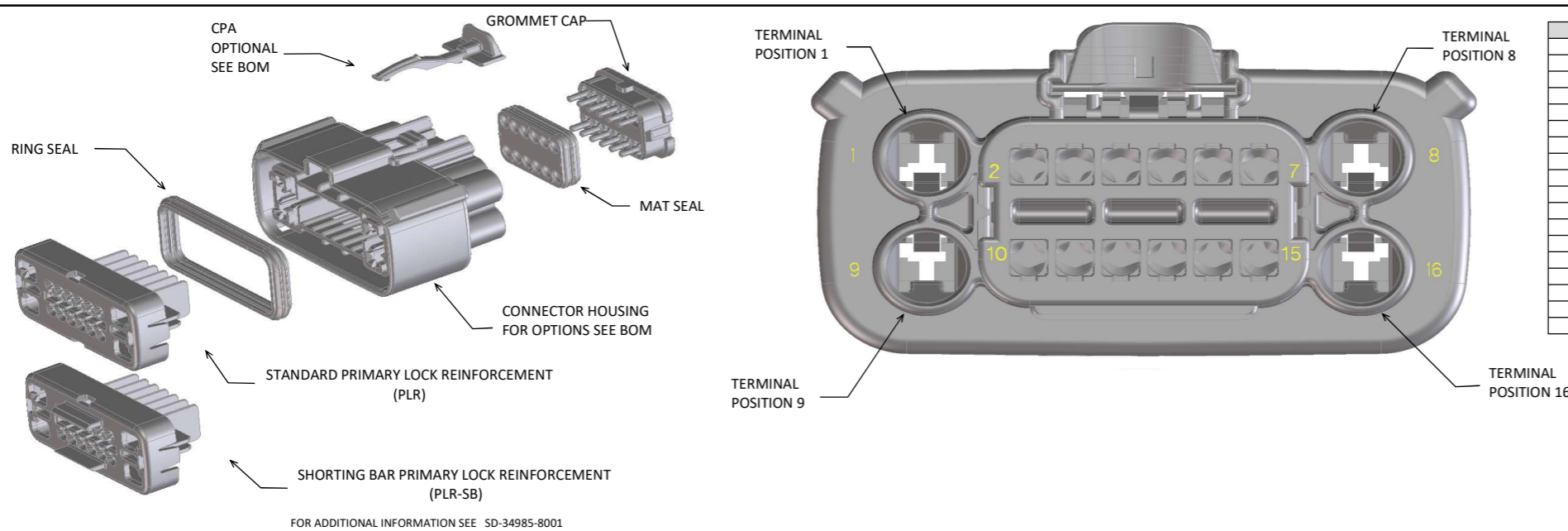
MOLD CAVITY I.D.
THIS LOCATION



SYMBOLS		THIS DRAWING CONTAINS INFORMATION THAT IS PROPRIETARY TO MOLEX ELECTRONIC TECHNOLOGIES, LLC AND SHOULD NOT BE USED WITHOUT WRITTEN PERMISSION		CURRENT REV DESC:		molex			
DIMENSION	UNITS	SCALE				MX150 16 WAY HYBRID RECPT SEALED ASSEMBLY			
▽ = 0	mm	3:1	EC NO: 619601			PRODUCT CUSTOMER DRAWING			
▽ = 0	GENERAL TOLERANCES (UNLESS SPECIFIED)		DRWN: HKLIANG 2019/07/25			DOCUMENT NUMBER	DOC TYPE	DOC PART	REVISION
▽ = 0	ANGULAR TOL ± 3.0°		CHK'D: MVANSLAMBROU 2019/08/02			SD-34985-8001	PSD	001	D2
▽ = 0	4 PLACES ±		APPR: MVANSLAMBROU 2019/08/02			INITIAL REVISION:			
▽ = 0	3 PLACES ±		DRWN: TYE 2014/09/12			MATERIAL NUMBER			
▽ = 0	2 PLACES ± 0.1		APPR: VKOSHY 2014/09/22			CUSTOMER			
▽ = 0	1 PLACE ± 0.3		DRAFT WHERE APPLICABLE MUST REMAIN WITHIN DIMENSIONS			GENERAL MARKET			
▽ = 0	0 PLACES ±		THIRD ANGLE PROJECTION	DRAWING	SERIES	SHEET NUMBER		4 OF 4	
▽ = 0			⊕	A1-SIZE	34985				

MX150 16 WAY HYBRID RECEPTACLE SEALED ASSEMBLY MAT SEAL (WITHOUT CLIPSLOT, 2.8mm CAVITIES OPEN)

BOM AND PIN OUT SHEET



ABBREVIATION	DESCRIPTION	COLOR	MATERIAL
A-BLK	HOUSING, KEYING OPTION A	BLACK	SPS/NYLON GF20
B-LG	HOUSING, KEYING OPTION B	LIGHT GRAY	SPS/NYLON GF20
C-DG	HOUSING, KEYING OPTION C	DARK GRAY	SPS/NYLON GF20
D-SG	HOUSING, KEYING OPTION D	STONE GRAY	SPS/NYLON GF20
A-YW	HOUSING, KEYING OPTION A	YELLOW	SPS/NYLON GF20
C-BR	HOUSING, KEYING OPTION C	BROWN	SPS/NYLON GF20
D-GR	HOUSING, KEYING OPTION D	GREEN	SPS/NYLON GF20
E-BLK	HOUSING, KEYING OPTION E	BLACK	SPS/NYLON GF20
F-LG	HOUSING, KEYING OPTION F	LIGHT GRAY	SPS/NYLON GF20
G-BR	HOUSING, KEYING OPTION G	BROWN	SPS/NYLON GF20
G-DG	HOUSING, KEYING OPTION G	DARK GRAY	SPS/NYLON GF20
H-YW	HOUSING, KEYING OPTION H	YELLOW	SPS/NYLON GF20
GC	GROMMET CAP	BLACK	SPS/NYLON GF20
PLR	STANDARD PLR	NATURAL	SPS/NYLON GF20
PLR-SB	SHORTING BAR PLR	NATURAL	PBT GF15
CPA	CPA	RED	PBT GF20
M	MAT SEAL	ROYAL BLUE	INHERENTLY LUBRICATED SILICONE
R	RING SEAL	GREEN	INHERENTLY LUBRICATED SILICONE

FOR ADDITIONAL INFORMATION SEE SD-34985-8001

ASSEMBLY DESCRIPTION	ASSEMBLY PART NUMBER	COMPONENT						BLOCKED TERMINALS																STATUS	COMMENTS	OPTIONAL ATTACHMENTS SOLD SEPERATELY			
		THE PRESENCE OF AN ABBREVIATION INDICATES THE PRESENCE OF THAT COMPONENT.						CAVITY WITH A NUMBER INDICATES BLOCKED TERMINAL POSITION CAVITY WITHOUT A NUMBER INDICATES OPEN TERMINAL POSITION																		BACKSHELL WITH RIBS	BACKSHELL WITHOUT RIBS		
		HOUSING KEY/COLOR	GROMMET CAP	PLR	CPA	MAT SEAL	RING SEAL	1	2	3	4	5	6	7	8	9	10	11	12	13	14	15	16						
KEY A, BLACK, W/O CPA	34985-1601	A-BLK	GC	PLR		M	R																			SALEABLE		NOT AVAILABLE	NOT AVAILABLE
KEY B, LIGHT GRAY, W/O CPA	34985-1602	B-LG	GC	PLR		M	R																			SALEABLE		NOT AVAILABLE	NOT AVAILABLE
KEY C, BROWN, W/O CPA	34985-1603	C-BR	GC	PLR		M	R																			NOT RECOMMENDED	SEE 34985-2121	NOT AVAILABLE	NOT AVAILABLE
KEY D, GREEN, W/O CPA	34985-1604	D-GR	GC	PLR		M	R																			NOT RECOMMENDED	SEE 34985-2157	NOT AVAILABLE	NOT AVAILABLE
KEY A, YELLOW, W/O CPA	34985-1605	A-YW	GC	PLR		M	R																			SALEABLE		NOT AVAILABLE	NOT AVAILABLE
KEY A, BLACK, W/CPA	34985-1606	A-BLK	GC	PLR	CPA	M	R																			SALEABLE		NOT AVAILABLE	NOT AVAILABLE
KEY B, LIGHT GRAY, W/CPA	34985-1607	B-LG	GC	PLR	CPA	M	R																			SALEABLE		NOT AVAILABLE	NOT AVAILABLE
KEY C, BROWN, W/CPA	34985-1608	C-BR	GC	PLR	CPA	M	R																			NOT RECOMMENDED	SEE 34985-2160	NOT AVAILABLE	NOT AVAILABLE
KEY D, GREEN, W/CPA	34985-1609	D-GR	GC	PLR	CPA	M	R																			NOT RECOMMENDED	SEE 34985-2184	NOT AVAILABLE	NOT AVAILABLE
KEY A, YELLOW, W/O CPA	34985-1610	A-YW	GC	PLR		M	R																14			SALEABLE		NOT AVAILABLE	NOT AVAILABLE
KEY A, BLACK, W/O CPA	34985-1611	A-BLK	GC	PLR		M	R																			SALEABLE		NOT AVAILABLE	NOT AVAILABLE
KEY B, LIGHT GRAY, W/O CPA	34985-1612	B-LG	GC	PLR		M	R	2																		SALEABLE		NOT AVAILABLE	NOT AVAILABLE
KEY C, BROWN, W/O CPA	34985-1613	C-BR	GC	PLR		M	R	2																		NOT RECOMMENDED		NOT AVAILABLE	NOT AVAILABLE
KEY D, GREEN, W/O CPA	34985-1614	D-GR	GC	PLR		M	R	2																		NOT RECOMMENDED		NOT AVAILABLE	NOT AVAILABLE
KEY A, YELLOW, W/O CPA	34985-1615	A-YW	GC	PLR		M	R																14			SALEABLE		NOT AVAILABLE	NOT AVAILABLE
KEY A, BLACK, W/CPA	34985-1616	A-BLK	GC	PLR	CPA	M	R	2									6	7								SALEABLE		NOT AVAILABLE	NOT AVAILABLE
KEY B, LIGHT GRAY, W/CPA	34985-1617	B-LG	GC	PLR	CPA	M	R	2																		SALEABLE		NOT AVAILABLE	NOT AVAILABLE
KEY C, BROWN, W/CPA	34985-1618	C-BR	GC	PLR	CPA	M	R	2																		NOT RECOMMENDED		NOT AVAILABLE	NOT AVAILABLE
KEY D, GREEN, W/CPA	34985-1619	D-GR	GC	PLR	CPA	M	R	2																		NOT RECOMMENDED		NOT AVAILABLE	NOT AVAILABLE
KEY A, YELLOW, W/O CPA	34985-1620	A-YW	GC	PLR		M	R									6								14		SALEABLE		NOT AVAILABLE	NOT AVAILABLE
KEY A, BLACK, W/O CPA	34985-1621	A-BLK	GC	PLR		M	R																		15	SALEABLE		NOT AVAILABLE	NOT AVAILABLE
KEY B, LIGHT GRAY, W/O CPA	34985-1622	B-LG	GC	PLR		M	R	2																	15	SALEABLE		NOT AVAILABLE	NOT AVAILABLE
KEY C, BROWN, W/O CPA	34985-1623	C-BR	GC	PLR		M	R	2																	15	NOT RECOMMENDED		NOT AVAILABLE	NOT AVAILABLE
KEY D, GREEN, W/O CPA	34985-1624	D-GR	GC	PLR		M	R	2																	15	NOT RECOMMENDED		NOT AVAILABLE	NOT AVAILABLE
KEY B, LIGHT GRAY, W/O CPA	34985-1625	B-LG	GC	PLR		M	R																			SALEABLE		NOT AVAILABLE	NOT AVAILABLE
KEY A, BLACK, W/CPA	34985-1626	A-BLK	GC	PLR	CPA	M	R	2																		SALEABLE		NOT AVAILABLE	NOT AVAILABLE
KEY B, LIGHT GRAY, W/CPA	34985-1627	B-LG	GC	PLR	CPA	M	R	2																		SALEABLE		NOT AVAILABLE	NOT AVAILABLE
KEY C, BROWN, W/CPA	34985-1628	C-BR	GC	PLR	CPA	M	R	2																		SALEABLE		NOT AVAILABLE	NOT AVAILABLE
KEY D, GREEN, W/CPA	34985-1629	D-GR	GC	PLR	CPA	M	R	2																		SALEABLE		NOT AVAILABLE	NOT AVAILABLE
KEY B, LIGHT GRAY, W/O CPA	34985-1630	B-LG	GC	PLR		M	R																			NOT RECOMMENDED		NOT AVAILABLE	NOT AVAILABLE
KEY A, BLACK, W/O CPA	34985-1641	A-BLK	GC	PLR		M	R	2	3	4	5	6	7													SALEABLE		NOT AVAILABLE	NOT AVAILABLE
KEY A, BLACK, W/O CPA	34985-1651	A-BLK	GC	PLR		M	R	2	3							6										SALEABLE		NOT AVAILABLE	NOT AVAILABLE
KEY A, BLACK, W/O CPA	34985-1661	A-BLK	GC	PLR		M	R			3					6											SALEABLE		NOT AVAILABLE	NOT AVAILABLE
KEY A, BLACK, W/O CPA	34985-1671	A-BLK	GC	PLR		M	R								6											SALEABLE		NOT AVAILABLE	NOT AVAILABLE
KEY E, BLACK, W/ SHRT BAR, W/O CPA	34985-1701	E-BLK	GC	PLR-SB		M	R																			SALEABLE		NOT AVAILABLE	NOT AVAILABLE
KEY F, LIGHT GRAY, W/ SHRT BAR, W/O CPA	34985-1702	F-LG	GC	PLR-SB		M	R																			SALEABLE		NOT AVAILABLE	NOT AVAILABLE
KEY G, BROWN, W/ SHRT BAR, W/O CPA	34985-1703	G-BR	GC	PLR-SB		M	R																			SALEABLE		NOT AVAILABLE	NOT AVAILABLE
KEY H, YELLOW, W/ SHRT BAR, W/O CPA	34985-1704	H-YW	GC	PLR-SB		M	R																			SALEABLE		NOT AVAILABLE	NOT AVAILABLE
KEY H, YELLOW, W/ SHRT BAR, W/CPA	34985-1706	H-YW	GC	PLR-SB	CPA	M	R																			SALEABLE		NOT AVAILABLE	NOT AVAILABLE
KEY H, YELLOW, W/ SHRT BAR, W/CPA	34985-1707	H-YW	GC	PLR-SB	CPA	M	R		2																	SALEABLE		NOT AVAILABLE	NOT AVAILABLE
KEY H, YELLOW, W/ SHRT BAR, W/CPA	34985-1708	H-YW	GC	PLR-SB	CPA	M	R		2																	SALEABLE		NOT AVAILABLE	NOT AVAILABLE
KEY H, YELLOW, W/ SHRT BAR, W/CPA	34985-1709	H-YW	GC	PLR-SB	CPA	M	R																			SALEABLE		NOT AVAILABLE	NOT AVAILABLE
KEY H, YELLOW, W/ SHRT BAR, W/CPA	34985-1710	H-YW	GC	PLR-SB	CPA	M	R																			SALEABLE		NOT AVAILABLE	NOT AVAILABLE
KEY H, YELLOW, W/ SHRT BAR, W/CPA	34985-1711	H-YW	GC	PLR-SB	CPA	M	R																			SALEABLE		NOT AVAILABLE	NOT AVAILABLE
KEY H, YELLOW, W/ SHRT BAR, W/CPA	34985-1712	H-YW	GC	PLR-SB	CPA	M	R		2	3																SALEABLE		NOT AVAILABLE	NOT AVAILABLE
KEY A, BLACK, W/O CPA	34985-1801	A-BLK	GC	PLR		M	R																			SALEABLE		NOT AVAILABLE	NOT AVAILABLE
KEY A, BLACK, W/O CPA	34985-1811	A-BLK	GC	PLR		M	R		2	3																SALEABLE		NOT AVAILABLE	NOT AVAILABLE
KEY A, BLACK, W/O CPA	34985-1821	A-BLK	GC	PLR		M	R									6	7									SALEABLE		NOT AVAILABLE	NOT AVAILABLE
KEY A, BLACK, W/O CPA	34985-1831	A-BLK	GC	PLR		M	R		2	3					6											SALEABLE		NOT AVAILABLE	NOT AVAILABLE
KEY B, LIGHT GRAY, W/O CPA	34985-1842	B-LG	GC	PLR		M	R																			SALEABLE		NOT AVAILABLE	NOT AVAILABLE
KEY A, BLACK, W/O CPA	34985-1843	A-BLK	GC	PLR		M	R																			SALEABLE		NOT AVAILABLE	NOT AVAILABLE
KEY A, BLACK, W/O CPA	34985-1844	A-BLK	GC	PLR		M	R																			SALEABLE		NOT AVAILABLE	NOT AVAILABLE
KEY A, BLACK, W/O CPA	34985-1845	A-BLK	GC	PLR		M	R		2																	SALEABLE		NOT AVAILABLE	NOT AVAILABLE
KEY A, BLACK, W/O CPA	34985-1846	A-BLK	GC	PLR		M	R		2	3																SALEABLE		NOT AVAILABLE	NOT AVAILABLE
KEY A, BLACK, W/O CPA	34985-1847	A-BLK	GC	PLR		M	R		2		4															SALEABLE		NOT AVAILABLE	NOT AVAILABLE
KEY A, BLACK, W/O CPA	34985-1879	A-BLK	GC	PLR		M	R																			SALEABLE		NOT AVAILABLE	NOT AVAILABLE
KEY A, BLACK, W/O CPA	34985-1880	A-BLK	GC	PLR		M	R									5	6									SALEABLE		NOT AVAILABLE	NOT AVAILABLE
KEY A, BLACK, W/O CPA	34985-1882	A-BLK	GC	PLR		M	R																			SALEABLE		NOT AVAILABLE	NOT AVAILABLE

**MX150 16 WAY HYBRID RECEPTACLE SEALED ASSEMBLY MAT SEAL (WITHOUT CLIPSLOT, 2.8mm CAVITIES OPEN)
BOM AND PIN OUT SHEET**

ASSEMBLY DESCRIPTION	ASSEMBLY PART NUMBER	COMPONENT						BLOCKED TERMINALS																STATUS	COMMENTS	OPTIONAL ATTACHMENTS SOLD SEPARATELY			
		THE PRESENCE OF AN ABBREVIATION INDICATES THE PRESENCE OF THAT COMPONENT.						CAVITY WITH A NUMBER INDICATES BLOCKED TERMINAL POSITION CAVITY WITHOUT A NUMBER INDICATES OPEN TERMINAL POSITION																		BACKSHELL WITH RIBS	BACKSHELL WITHOUT RIBS		
		HOUSING KEY/COLOR	GROMMET CAP	PLR	CPA	MAT SEAL	RING SEAL	1	2	3	4	5	6	7	8	9	10	11	12	13	14	15	16						
KEY A, BLACK, W/O CPA	34985-1883	A-BLK	GC	PLR		M	R									10	11	12	13	14	15		SALEABLE		NOT AVAILABLE	NOT AVAILABLE			
KEY A, BLACK, W/O CPA	34985-1884	A-BLK	GC	PLR		M	R									10	11	12	13	14	15		SALEABLE		NOT AVAILABLE	NOT AVAILABLE			
KEY A, BLACK, W/O CPA	34985-1885	A-BLK	GC	PLR		M	R										11	12	13	14	15		SALEABLE		NOT AVAILABLE	NOT AVAILABLE			
KEY B, LIGHT GRAY, W/O CPA	34985-1886	B-LG	GC	PLR		M	R			5									13	14	15		SALEABLE		NOT AVAILABLE	NOT AVAILABLE			
KEY B, LIGHT GRAY, W/O CPA	34985-1887	B-LG	GC	PLR		M	R			5									13	14			SALEABLE		NOT AVAILABLE	NOT AVAILABLE			
KEY A, BLACK, W/O CPA	34985-1888	A-BLK	GC	PLR		M	R		2				7			10	11						SALEABLE		NOT AVAILABLE	NOT AVAILABLE			
KEY A, BLACK, W/O CPA	34985-1889	A-BLK	GC	PLR		M	R		2				7						13		15		SALEABLE		NOT AVAILABLE	NOT AVAILABLE			
KEY A, BLACK, W/O CPA	34985-1890	A-BLK	GC	PLR		M	R				3		6	7					13				SALEABLE		NOT AVAILABLE	NOT AVAILABLE			
KEY A, BLACK, W/O CPA	34985-1901	A-BLK	GC	PLR		M	R		2				7					12	13	14	15		SALEABLE		NOT AVAILABLE	NOT AVAILABLE			
KEY A, BLACK, W/O CPA	34985-1902	A-BLK	GC	PLR		M	R						7					12	13	14	15		SALEABLE		NOT AVAILABLE	NOT AVAILABLE			
KEY A, BLACK, W/O CPA	34985-1903	A-BLK	GC	PLR		M	R				3		5	6			11				15		SALEABLE		NOT AVAILABLE	NOT AVAILABLE			
KEY A, BLACK, W/O CPA	34985-1904	A-BLK	GC	PLR		M	R						6							14			SALEABLE		NOT AVAILABLE	NOT AVAILABLE			
KEY A, BLACK, W/O CPA	34985-1905	A-BLK	GC	PLR		M	R		2			4	5	6	7	10	11	12		14	15		SALEABLE		NOT AVAILABLE	NOT AVAILABLE			
KEY A, BLACK, W/O CPA	34985-1906	A-BLK	GC	PLR		M	R		2	3											15		SALEABLE		NOT AVAILABLE	NOT AVAILABLE			
KEY A, BLACK, W/O CPA	34985-1907	A-BLK	GC	PLR		M	R		2												15		SALEABLE		NOT AVAILABLE	NOT AVAILABLE			
KEY A, BLACK, W/O CPA	34985-1908	A-BLK	GC	PLR		M	R		2	3		4		5		10	11		13		15		SALEABLE		NOT AVAILABLE	NOT AVAILABLE			
KEY A, BLACK, W/O CPA	34985-1915	A-BLK	GC	PLR		M	R				3												SALEABLE		NOT AVAILABLE	NOT AVAILABLE			
KEY A, BLACK, W/O CPA	34985-1916	A-BLK	GC	PLR		M	R													12	13	14		SALEABLE		NOT AVAILABLE	NOT AVAILABLE		
KEY A, BLACK, W/O CPA	34985-1918	A-BLK	GC	PLR		M	R		2			4										15		SALEABLE		NOT AVAILABLE	NOT AVAILABLE		
KEY A, BLACK, W/O CPA	34985-1924	A-BLK	GC	PLR		M	R						5	6	7								SALEABLE		NOT AVAILABLE	NOT AVAILABLE			
KEY A, BLACK, W/O CPA	34985-1925	A-BLK	GC	PLR		M	R				3	4	5			10	11	12	13	14	15		SALEABLE		NOT AVAILABLE	NOT AVAILABLE			
KEY A, BLACK, W/O CPA	34985-1926	A-BLK	GC	PLR		M	R						5			10	11	12	13	14	15		SALEABLE		NOT AVAILABLE	NOT AVAILABLE			
KEY A, BLACK, W/O CPA	34985-1927	A-BLK	GC	PLR		M	R									10	11	12	13	14	15		SALEABLE		NOT AVAILABLE	NOT AVAILABLE			
KEY A, BLACK, W/O CPA	34985-1928	A-BLK	GC	PLR		M	R																SALEABLE		NOT AVAILABLE	NOT AVAILABLE			
KEY A, BLACK, W/O CPA	34985-1929	A-BLK	GC	PLR		M	R				3	4	5	6	7								SALEABLE		NOT AVAILABLE	NOT AVAILABLE			
KEY A, BLACK, W/O CPA	34985-1930	A-BLK	GC	PLR		M	R				3					10				13			SALEABLE		NOT AVAILABLE	NOT AVAILABLE			
KEY A, BLACK, W/O CPA	34985-1931	A-BLK	GC	PLR		M	R				3									13		15	SALEABLE		NOT AVAILABLE	NOT AVAILABLE			
KEY B, LIGHT GRAY, W/O CPA	34985-1932	B-LG	GC	PLR		M	R									10	11	12	13	14			SALEABLE		NOT AVAILABLE	NOT AVAILABLE			
KEY A, BLACK, W/O CPA	34985-1933	A-BLK	GC	PLR		M	R			2	3	4	5	6		10	11	12		14	15		SALEABLE		NOT AVAILABLE	NOT AVAILABLE			
KEY A, BLACK, W/O CPA	34985-1934	A-BLK	GC	PLR		M	R			2	3									13			SALEABLE		NOT AVAILABLE	NOT AVAILABLE			
KEY A, BLACK, W/O CPA	34985-1936	A-BLK	GC	PLR		M	R													13			SALEABLE		NOT AVAILABLE	NOT AVAILABLE			
KEY A, BLACK, W/O CPA	34985-1937	A-BLK	GC	PLR		M	R										11			13	14		SALEABLE		NOT AVAILABLE	NOT AVAILABLE			
KEY A, BLACK, W/CPA	34985-1938	A-BLK	GC	PLR	CPA	M	R		2	3	4	5	6	7	10	11	12	13	14	15			SALEABLE		NOT AVAILABLE	NOT AVAILABLE			
KEY A, BLACK, W/CPA	34985-1939	A-BLK	GC	PLR	CPA	M	R		2	3	4	5	6	7					12	13	14	15		SALEABLE		NOT AVAILABLE	NOT AVAILABLE		
KEY A, BLACK, W/O CPA	34985-1940	A-BLK	GC	PLR		M	R													13	14			SALEABLE		NOT AVAILABLE	NOT AVAILABLE		
KEY A, BLACK, W/O CPA	34985-1941	A-BLK	GC	PLR		M	R														14	15		SALEABLE		NOT AVAILABLE	NOT AVAILABLE		
KEY A, BLACK, W/O CPA	34985-1942	A-BLK	GC	PLR		M	R		2											11	12	13	14	15	SALEABLE		NOT AVAILABLE	NOT AVAILABLE	
KEY A, BLACK, W/O CPA	34985-1943	A-BLK	GC	PLR		M	R		2				5	6	7					11	12	13		SALEABLE		NOT AVAILABLE	NOT AVAILABLE		
KEY A, BLACK, W/O CPA	34985-1944	A-BLK	GC	PLR		M	R		2							10	11	12				15		SALEABLE		NOT AVAILABLE	NOT AVAILABLE		
KEY A, BLACK, W/O CPA	34985-1946	A-BLK	GC	PLR		M	R														12			SALEABLE		NOT AVAILABLE	NOT AVAILABLE		
KEY A, BLACK, W/O CPA	34985-1947	A-BLK	GC	PLR		M	R														14	15		SALEABLE		NOT AVAILABLE	NOT AVAILABLE		
KEY B, LIGHT GRAY, W/O CPA	34985-1949	B-LG	GC	PLR		M	R				3	4	5			10	11	12	13	14	15		SALEABLE		NOT AVAILABLE	NOT AVAILABLE			
KEY B, LIGHT GRAY, W/O CPA	34985-1950	B-LG	GC	PLR		M	R				3	4	5	6	7									SALEABLE		NOT AVAILABLE	NOT AVAILABLE		
KEY B, LIGHT GRAY, W/O CPA	34985-1951	B-LG	GC	PLR		M	R						5	6	7									SALEABLE		NOT AVAILABLE	NOT AVAILABLE		
KEY B, LIGHT GRAY, W/O CPA	34985-1952	B-LG	GC	PLR		M	R									10	11	12	13	14	15		SALEABLE		NOT AVAILABLE	NOT AVAILABLE			
KEY A, BLACK, W/O CPA	34985-1956	A-BLK	GC	PLR		M	R														13	14	15	SALEABLE		NOT AVAILABLE	NOT AVAILABLE		
KEY A, BLACK, W/O CPA	34985-1957	A-BLK	GC	PLR		M	R													12	13	14	15	SALEABLE		NOT AVAILABLE	NOT AVAILABLE		
KEY A, BLACK, W/CPA	34985-1960	A-BLK	GC	PLR	CPA	M	R													11				SALEABLE		NOT AVAILABLE	NOT AVAILABLE		
KEY A, BLACK, W/CPA	34985-1961	A-BLK	GC	PLR	CPA	M	R																	SALEABLE		NOT AVAILABLE	NOT AVAILABLE		
KEY A, BLACK, W/CPA	34985-1962	A-BLK	GC	PLR	CPA	M	R																	SALEABLE		NOT AVAILABLE	NOT AVAILABLE		
KEY A, BLACK, W/CPA	34985-1963	A-BLK	GC	PLR	CPA	M	R		2	3						10								SALEABLE		NOT AVAILABLE	NOT AVAILABLE		
KEY A, BLACK, W/CPA	34985-1964	A-BLK	GC	PLR	CPA	M	R														11			SALEABLE		NOT AVAILABLE	NOT AVAILABLE		
KEY A, BLACK, W/CPA	34985-1965	A-BLK	GC	PLR	CPA	M	R						5	6	7						13	14	15	SALEABLE		NOT AVAILABLE	NOT AVAILABLE		
KEY A, BLACK, W/CPA	34985-1966	A-BLK	GC	PLR	CPA	M	R		2				5	6	7	10					13	14	15	SALEABLE		NOT AVAILABLE	NOT AVAILABLE		
KEY A, BLACK, W/CPA	34985-1967	A-BLK	GC	PLR	CPA	M	R		2	3	4	5	6	7						11	12	13	14	15	SALEABLE		NOT AVAILABLE	NOT AVAILABLE	
KEY A, BLACK, W/CPA	34985-1968	A-BLK	GC	PLR	CPA	M	R		2	3	4	5								11	12	13	14	15	SALEABLE		NOT AVAILABLE	NOT AVAILABLE	
KEY A, BLACK, W/CPA	34985-1969	A-BLK	GC	PLR	CPA	M	R		2	3	4	5									12	13	14	15	SALEABLE		NOT AVAILABLE	NOT AVAILABLE	
KEY A, BLACK, W/O CPA	34985-1970	A-BLK	GC	PLR		M	R		2													15		SALEABLE		NOT AVAILABLE	NOT AVAILABLE		
KEY A, BLACK, W/O CPA	34985-1971	A-BLK	GC	PLR		M	R				3	4				10	11				13	14	15	SALEABLE		NOT AVAILABLE	NOT AVAILABLE		
KEY A, BLACK, W/O CPA	34985-1972	A-BLK	GC	PLR		M	R															13	14	15	SALEABLE		NOT AVAILABLE	NOT AVAILABLE	
KEY A, BLACK, W/O CPA	34985-1973	A-BLK	GC	PLR		M	R															12	13	14	15	SALEABLE		NOT AVAILABLE	NOT AVAILABLE
KEY A, BLACK, W/CPA	34985-1974	A-BLK	GC	PLR	CPA	M	R															12			SALEABLE		NOT AVAILABLE	NOT AVAILABLE	
KEY A, BLACK, W/CPA	34985-1975	A-BLK	GC	PLR	CPA	M	R		2			4										12			SALEABLE		NOT AVAILABLE	NOT AVAILABLE	
KEY A, BLACK, W/CPA	34985-1976	A-BLK	GC	PLR	CPA	M	R									10								SALEABLE		NOT AVAILABLE	NOT AVAILABLE		
KEY A, BLACK, W/O CPA	34985-1979	A-BLK	GC	PLR		M	R															13	14	15	SALEABLE		NOT AVAILABLE	NOT AVAILABLE	
KEY A, BLACK, W/O CPA	34985-1980	A-BLK	GC	PLR		M	R															11	13	14	15	SALEABLE		NOT AVAILABLE	NOT AVAILABLE
KEY A, BLACK, W/CPA	34985-1984	A-BLK	GC	PLR	CPA	M	R																		SALEABLE		NOT AVAILABLE	NOT AVAILABLE	
KEY B, LIGHT GRAY, W/O CPA	34985-1985	B-LG	GC	PLR		M	R																		SALEABLE		NOT AVAILABLE	NOT AVAILABLE	
KEY B, LIGHT GRAY, W/O CPA	34985-1986	B-LG	GC	PLR		M	R									10	11	12	13	14	15			SALEABLE		NOT AVAILABLE	NOT AVAILABLE		
KEY A, BLACK, W/O CPA	34985-1988	A-BLK	GC	PLR		M	R																		SALEABLE		NOT AVAILABLE	NOT AVAILABLE	
KEY A, BLACK, W/CPA	34985-1989	A-BLK																											



MX150 16 WAY HYBRID RECEPTACLE SEALED ASSEMBLY MAT SEAL (WITHOUT CLIPSLOT, 2.8mm CAVITIES OPEN)

BOM AND PIN OUT SHEET

ASSEMBLY DESCRIPTION	ASSEMBLY PART NUMBER	COMPONENT							BLOCKED TERMINALS																STATUS	COMMENTS	OPTIONAL ATTACHMENTS SOLD SEPARATELY		
		THE PRESENCE OF AN ABBREVIATION INDICATES THE PRESENCE OF THAT COMPONENT.							CAVITY WITH A NUMBER INDICATES BLOCKED TERMINAL POSITION CAVITY WITHOUT A NUMBER INDICATES OPEN TERMINAL POSITION																		BACKSHELL WITH RIBS	BACKSHELL WITHOUT RIBS	
		HOUSING KEY/COLOR	GROMMET CAP	PLR	CPA	MAT SEAL	RING SEAL	1	2	3	4	5	6	7	8	9	10	11	12	13	14	15	16						
KEY H, YELLOW, W/ SHRT BAR, W/CPA	34985-2012	H-YW	GC	PLR-SB	CPA	M	R		2	3			6	7		10	11			14	15			SALEABLE		NOT AVAILABLE	NOT AVAILABLE		
KEY A, BLACK, W/O CPA	34985-2014	A-BLK	GC	PLR		M	R									10	11							SALEABLE		NOT AVAILABLE	NOT AVAILABLE		
KEY A, BLACK, W/CPA	34985-2015	A-BLK	GC	PLR	CPA	M	R		2							10	11	12	13	14				SALEABLE		NOT AVAILABLE	NOT AVAILABLE		
KEY A, BLACK, W/CPA	34985-2016	A-BLK	GC	PLR	CPA	M	R		2							10	11	12	13					SALEABLE		NOT AVAILABLE	NOT AVAILABLE		
KEY A, BLACK, W/CPA	34985-2017	A-BLK	GC	PLR	CPA	M	R		2							10	11							SALEABLE		NOT AVAILABLE	NOT AVAILABLE		
KEY A, BLACK, W/CPA	34985-2018	A-BLK	GC	PLR	CPA	M	R									10	11	12	13					SALEABLE		NOT AVAILABLE	NOT AVAILABLE		
KEY A, BLACK, W/O CPA	34985-2019	A-BLK	GC	PLR		M	R			3	4	5	6	7		10	11	12	13	14				SALEABLE		NOT AVAILABLE	NOT AVAILABLE		
KEY A, BLACK, W/O CPA	34985-2020	A-BLK	GC	PLR		M	R				4	5	6	7		10	11	12	13	14				SALEABLE		NOT AVAILABLE	NOT AVAILABLE		
KEY A, BLACK, W/O CPA	34985-2021	A-BLK	GC	PLR		M	R				3	4	5	6	7		10	11	12	13	14			SALEABLE		NOT AVAILABLE	NOT AVAILABLE		
KEY A, BLACK, W/O CPA	34985-2022	A-BLK	GC	PLR		M	R				3	4		7		10	11	12	13	14	15			SALEABLE		NOT AVAILABLE	NOT AVAILABLE		
KEY A, BLACK, W/O CPA	34985-2023	A-BLK	GC	PLR		M	R		2	3	4	5	6			10	11	12	13	14	15			SALEABLE		NOT AVAILABLE	NOT AVAILABLE		
KEY A, BLACK, W/O CPA	34985-2024	A-BLK	GC	PLR		M	R				3	4	6	7		10	11	12	13	14	15			SALEABLE		NOT AVAILABLE	NOT AVAILABLE		
KEY A, BLACK, W/O CPA	34985-2025	A-BLK	GC	PLR		M	R				3					10	11	12	13	14	15			SALEABLE		NOT AVAILABLE	NOT AVAILABLE		
KEY A, BLACK, W/O CPA	34985-2026	A-BLK	GC	PLR		M	R		2		4		6			10		12	13					SALEABLE		NOT AVAILABLE	NOT AVAILABLE		
KEY A, BLACK, W/O CPA	34985-2027	A-BLK	GC	PLR		M	R		2	3	4		6	7		10	11	12	13	14	15			SALEABLE		NOT AVAILABLE	NOT AVAILABLE		
KEY A, BLACK, W/O CPA	34985-2028	A-BLK	GC	PLR		M	R		2				6	7		10	11	12	13	14	15			SALEABLE		NOT AVAILABLE	NOT AVAILABLE		
KEY A, BLACK, W/O CPA	34985-2030	A-BLK	GC	PLR		M	R		2	3														SALEABLE		NOT AVAILABLE	NOT AVAILABLE		
KEY A, BLACK, W/CPA	34985-2031	A-BLK	GC	PLR	CPA	M	R				3													SALEABLE		NOT AVAILABLE	NOT AVAILABLE		
KEY A, BLACK, W/O CPA	34985-2032	A-BLK	GC	PLR		M	R					4	5							13				SALEABLE		NOT AVAILABLE	NOT AVAILABLE		
KEY A, BLACK, W/O CPA	34985-2033	A-BLK	GC	PLR		M	R						6	7		10	11	12	13	14	15			SALEABLE		NOT AVAILABLE	NOT AVAILABLE		
KEY A, BLACK, W/O CPA	34985-2035	A-BLK	GC	PLR		M	R		2				5	6		10	11	12	13		15			SALEABLE		NOT AVAILABLE	NOT AVAILABLE		
KEY A, BLACK, W/O CPA	34985-2036	A-BLK	GC	PLR		M	R		2					7		10	11	12	13	14	15			SALEABLE		NOT AVAILABLE	NOT AVAILABLE		
KEY A, BLACK, W/CPA	34985-2038	A-BLK	GC	PLR	CPA	M	R		2				5	6		10					14	15			SALEABLE		NOT AVAILABLE	NOT AVAILABLE	
KEY A, BLACK, W/CPA	34985-2039	A-BLK	GC	PLR	CPA	M	R						5	6							14	15			SALEABLE		NOT AVAILABLE	NOT AVAILABLE	
KEY A, BLACK, W/O CPA	34985-2040	A-BLK	GC	PLR		M	R				4						11			13	14				SALEABLE		NOT AVAILABLE	NOT AVAILABLE	
KEY A, BLACK, W/O CPA	34985-2041	A-BLK	GC	PLR		M	R		2		4	5				10			12		14	15			SALEABLE		NOT AVAILABLE	NOT AVAILABLE	
KEY A, BLACK, W/O CPA	34985-2042	A-BLK	GC	PLR		M	R						5									15			SALEABLE		NOT AVAILABLE	NOT AVAILABLE	
KEY A, BLACK, W/O CPA	34985-2043	A-BLK	GC	PLR		M	R				3	4							13		15				SALEABLE		NOT AVAILABLE	NOT AVAILABLE	
KEY A, BLACK, W/O CPA	34985-2044	A-BLK	GC	PLR		M	R					4								13	15				SALEABLE		NOT AVAILABLE	NOT AVAILABLE	
KEY A, BLACK, W/O CPA	34985-2046	A-BLK	GC	PLR		M	R					4								13					SALEABLE		NOT AVAILABLE	NOT AVAILABLE	
KEY A, BLACK, W/O CPA	34985-2047	A-BLK	GC	PLR		M	R		2						7					10	11	12	13			SALEABLE		NOT AVAILABLE	NOT AVAILABLE
KEY A, BLACK, W/O CPA	34985-2048	A-BLK	GC	PLR		M	R				4	5											14			SALEABLE		NOT AVAILABLE	NOT AVAILABLE
KEY A, BLACK, W/O CPA	34985-2049	A-BLK	GC	PLR		M	R						6			10	11				14				SALEABLE		NOT AVAILABLE	NOT AVAILABLE	
KEY B, LIGHT GRAY, W/O CPA	34985-2051	B-LG	GC	PLR		M	R						5	6	7	10	11	12	13	14	15				SALEABLE		NOT AVAILABLE	NOT AVAILABLE	
KEY A, BLACK, W/O CPA	34985-2052	A-BLK	GC	PLR		M	R		2		4								11	12	13	14			SALEABLE		NOT AVAILABLE	NOT AVAILABLE	
KEY A, BLACK, W/O CPA	34985-2053	A-BLK	GC	PLR		M	R				3											15			SALEABLE		NOT AVAILABLE	NOT AVAILABLE	
KEY A, BLACK, W/O CPA	34985-2054	A-BLK	GC	PLR		M	R															15			SALEABLE		NOT AVAILABLE	NOT AVAILABLE	
KEY A, BLACK, W/O CPA	34985-2060	A-BLK	GC	PLR		M	R					4	5								14	15			SALEABLE		NOT AVAILABLE	NOT AVAILABLE	
KEY A, BLACK, W/O CPA	34985-2061	A-BLK	GC	PLR		M	R															14			SALEABLE		NOT AVAILABLE	NOT AVAILABLE	
KEY A, BLACK, W/CPA	34985-2062	A-BLK	GC	PLR	CPA	M	R				3	4	5	6	7		10	11	12	13	14				SALEABLE		NOT AVAILABLE	NOT AVAILABLE	
KEY A, BLACK, W/CPA	34985-2063	A-BLK	GC	PLR	CPA	M	R					4	5	6	7		10	11	12	13	14				SALEABLE		NOT AVAILABLE	NOT AVAILABLE	
KEY A, BLACK, W/O CPA	34985-2067	A-BLK	GC	PLR		M	R		2								11				14	15			SALEABLE		NOT AVAILABLE	NOT AVAILABLE	
KEY A, BLACK, W/O CPA	34985-2068	A-BLK	GC	PLR		M	R					4	5						12						SALEABLE		NOT AVAILABLE	NOT AVAILABLE	
KEY A, BLACK, W/O CPA	34985-2069	A-BLK	GC	PLR		M	R					4	5						12						SALEABLE		NOT AVAILABLE	NOT AVAILABLE	
KEY A, BLACK, W/O CPA	34985-2073	A-BLK	GC	PLR		M	R				3											15			SALEABLE		NOT AVAILABLE	NOT AVAILABLE	
KEY A, BLACK, W/CPA	34985-2074	A-BLK	GC	PLR	CPA	M	R				3	4	5	6		10	11			13					SALEABLE		NOT AVAILABLE	NOT AVAILABLE	
KEY A, BLACK, W/O CPA	34985-2075	A-BLK	GC	PLR		M	R							6	7		10	11			14				SALEABLE		NOT AVAILABLE	NOT AVAILABLE	
KEY A, BLACK, W/O CPA	34985-2076	A-BLK	GC	PLR		M	R							6							14	15			SALEABLE		NOT AVAILABLE	NOT AVAILABLE	
KEY A, BLACK, W/O CPA	34985-2077	A-BLK	GC	PLR		M	R		2			4								13		15			SALEABLE		NOT AVAILABLE	NOT AVAILABLE	
KEY A, BLACK, W/O CPA	34985-2078	A-BLK	GC	PLR		M	R				3	4	5									15			SALEABLE		NOT AVAILABLE	NOT AVAILABLE	
KEY A, BLACK, W/O CPA	34985-2079	A-BLK	GC	PLR		M	R					3	4			10	11				14	15			SALEABLE		NOT AVAILABLE	NOT AVAILABLE	
KEY A, BLACK, W/CPA	34985-2080	A-BLK	GC	PLR	CPA	M	R		2			4	5			10			12	13					SALEABLE		NOT AVAILABLE	NOT AVAILABLE	
KEY A, BLACK, W/CPA	34985-2081	A-BLK	GC	PLR	CPA	M	R		2			4							12	13					SALEABLE		NOT AVAILABLE	NOT AVAILABLE	
KEY A, BLACK, W/O CPA	34985-2082	A-BLK	GC	PLR		M	R		2					6					12	13	14	15			SALEABLE		NOT AVAILABLE	NOT AVAILABLE	
KEY A, BLACK, W/O CPA	34985-2083	A-BLK	GC	PLR		M	R						5	6	7		10	11	12	13	14	15			SALEABLE		NOT AVAILABLE	NOT AVAILABLE	
KEY A, BLACK, W/O CPA	34985-2084	A-BLK	GC	PLR		M	R		2					5						11	12	13	15			SALEABLE		NOT AVAILABLE	NOT AVAILABLE
KEY A, BLACK, W/O CPA	34985-2085	A-BLK	GC	PLR		M	R		2					5						11	13		15			SALEABLE		NOT AVAILABLE	NOT AVAILABLE
KEY A, BLACK, W/O CPA	34985-2086	A-BLK	GC	PLR		M	R																						

BOM AND PIN OUT SHEET

Table with columns: ASSEMBLY DESCRIPTION, ASSEMBLY PART NUMBER, COMPONENT (HOUSING KEY/COLOR, GROMMET CAP, PLR, CPA, MAT SEAL, RING SEAL), BLOCKED TERMINALS (1-16), STATUS, COMMENTS, and OPTIONAL ATTACHMENTS SOLD SEPARATELY (BACKSHELL WITH RIBS, BACKSHELL WITHOUT RIBS).

MX150 16 WAY HYBRID RECEPTACLE SEALED ASSEMBLY MAT SEAL (WITHOUT CLIPSLOT, 2.8mm CAVITIES OPEN)
BOM AND PIN OUT SHEET

Table with columns: ASSEMBLY DESCRIPTION, ASSEMBLY PART NUMBER, COMPONENT (HOUSING KEY/COLOR, GROMMET CAP, PLR, CPA, MAT SEAL, RING SEAL), BLOCKED TERMINALS (1-16), STATUS, COMMENTS, and OPTIONAL ATTACHMENTS SOLD SEPARATELY (BACKSHELL WITH RIBS, BACKSHELL WITHOUT RIBS).

MX150 16 WAY HYBRID RECEPTACLE SEALED ASSEMBLY MAT SEAL (WITH CLIPSLOT, 2.8mm CAVITIES OPEN) BOM AND PIN OUT SHEET

Table with columns: ASSEMBLY DESCRIPTION, ASSEMBLY PART NUMBER, COMPONENT (HOUSING KEY/COLOR, GROMMET CAP, PLR, CPA, MAT SEAL, RING SEAL), BLOCKED TERMINALS (1-16), STATUS, COMMENTS, and OPTIONAL ATTACHMENTS SOLD SEPERATELY (BACKSHELL WITH RIBS, BACKSHELL WITHOUT RIBS). Rows list various assembly configurations like KEY A, BLACK, W/ CLIPSLOT, W/O CPA.

