

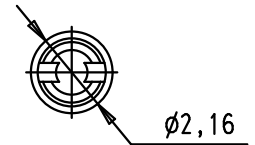
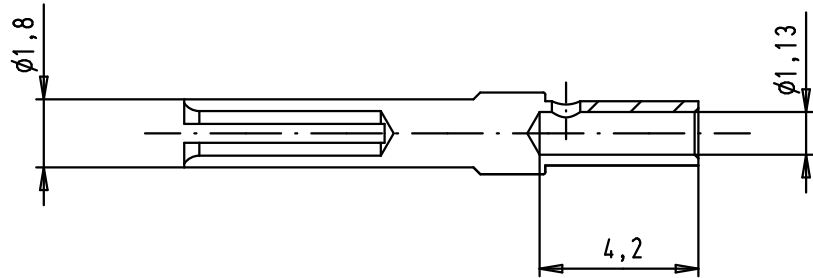
5

4

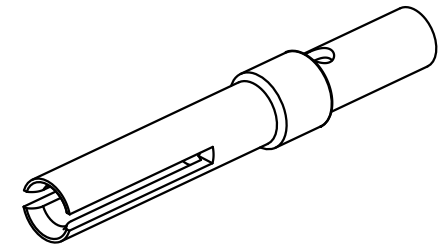
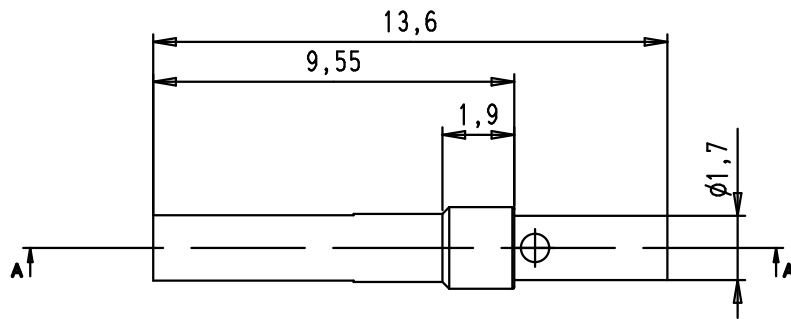
3

2

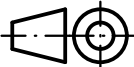
1



Crimping of AWG 20-24 : hand tool 09 99 000 0501
and locator 09 99 000 0531



A

			Mod.	Dat.	Name	 All Dim. in mm Orig. Size DIN A 4	D-Sub	AWG 20-24	Maßstab/ Scale	
5000	09 67 000 8476 580	PL1	EC04018	07/11/11	SD		Detail.			5/1
			EC01739	29apr2010	LP		Insp.			
100	09 67 000 8476	PL1	EC01656	12apr2010	LP	Stand.				
Bulk packaging	Part number	Gold plating (over nickel)								
HARTING EURL F-95972 Paris							TB09 67 000 847x		Blatt/ Page 1/1	
							Sub.			