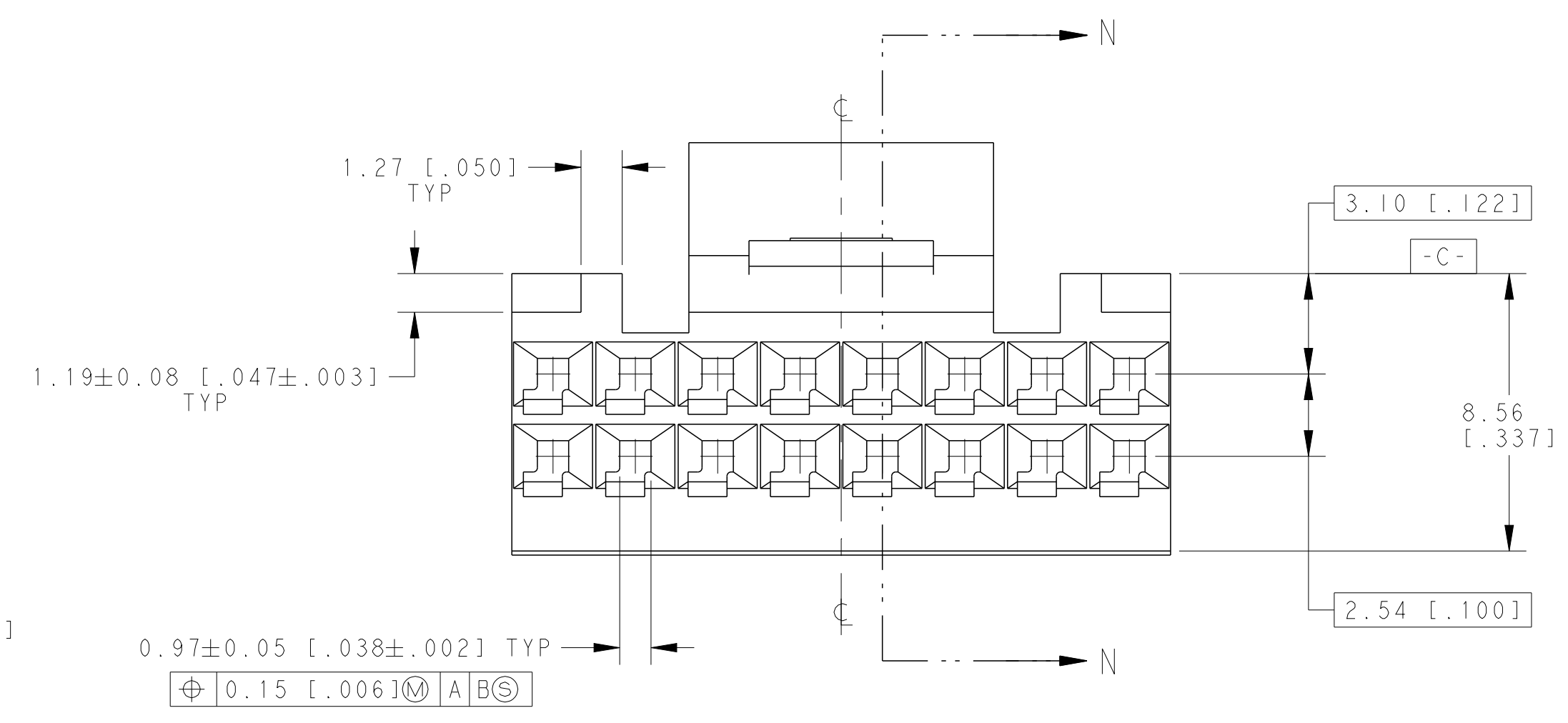
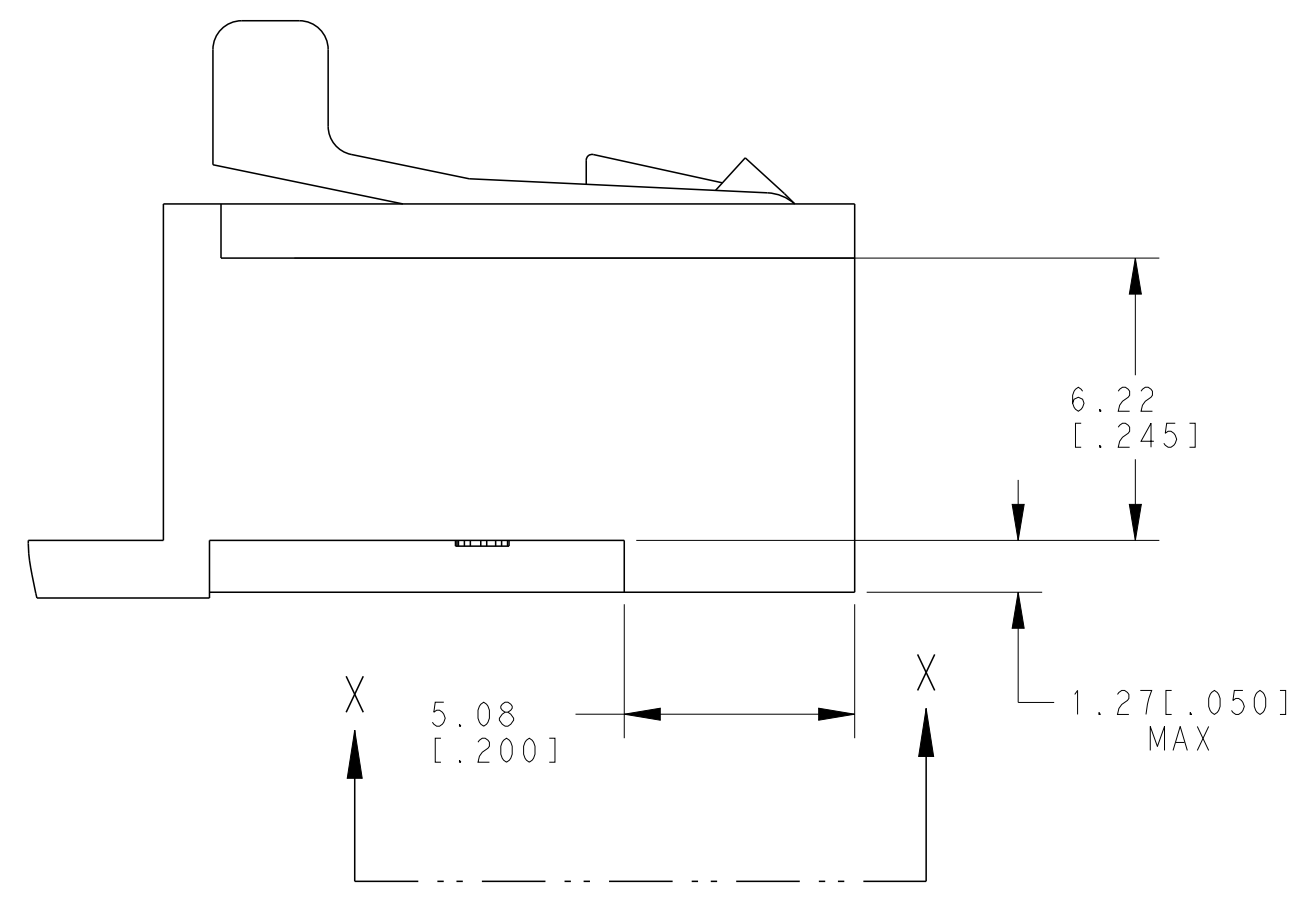
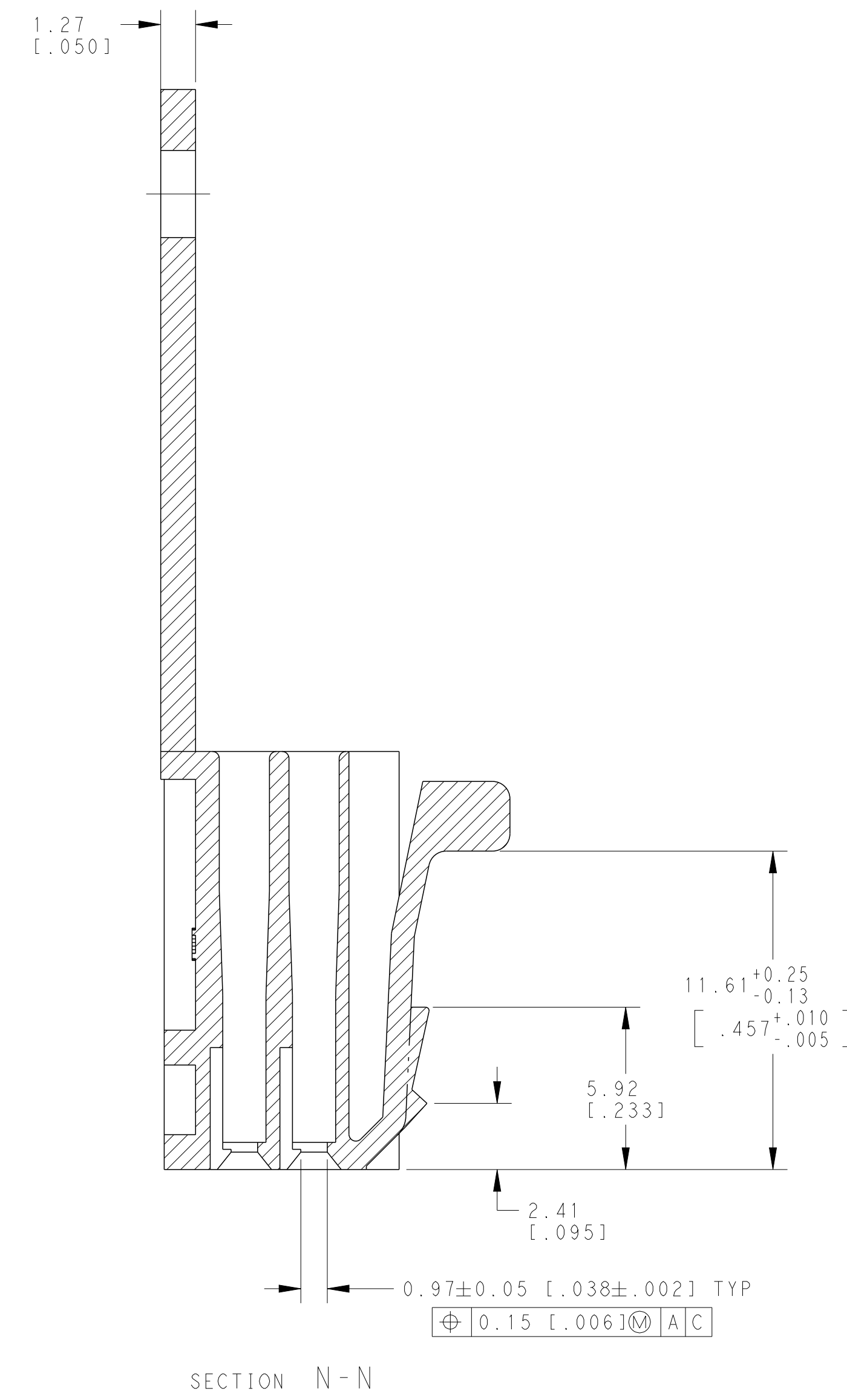
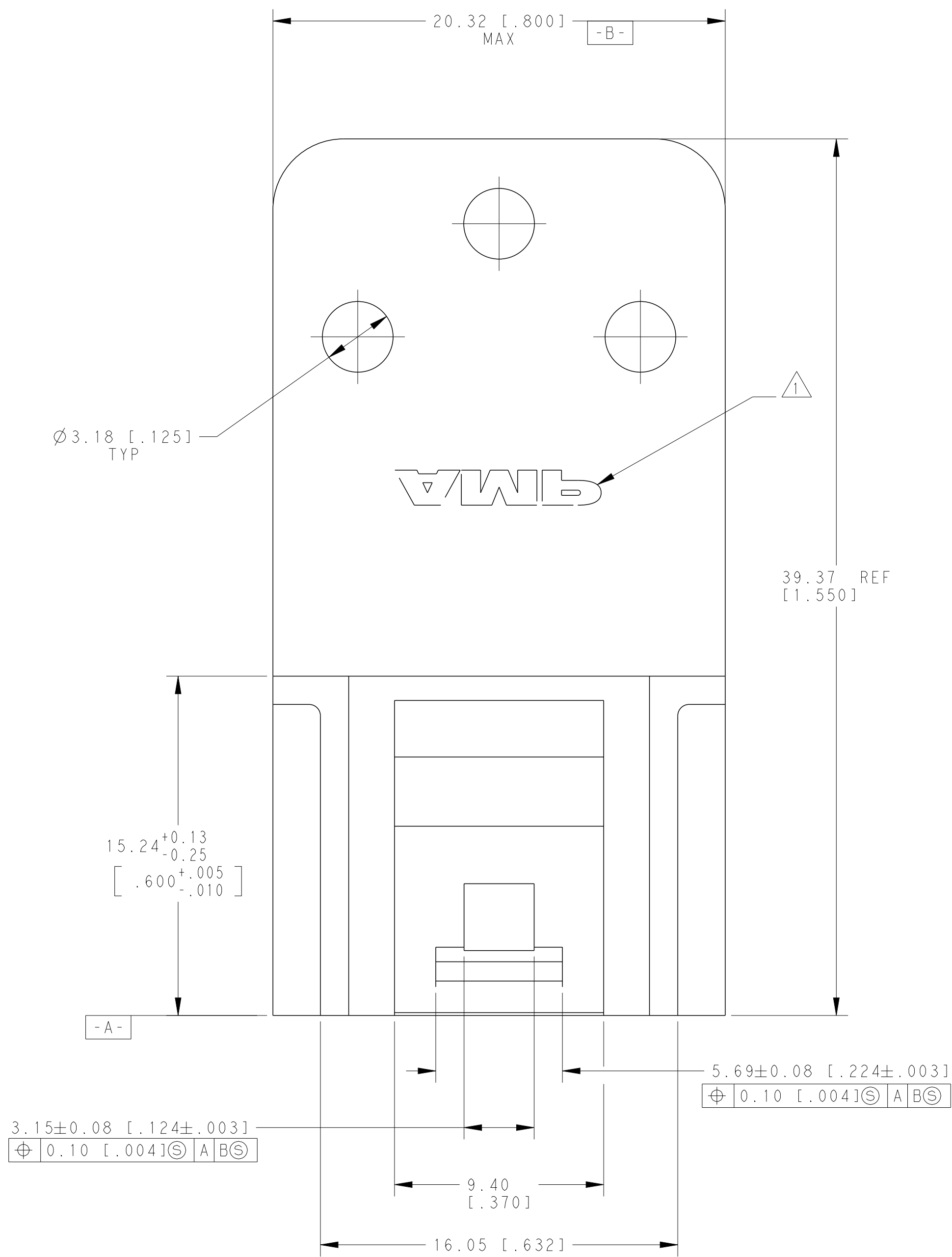
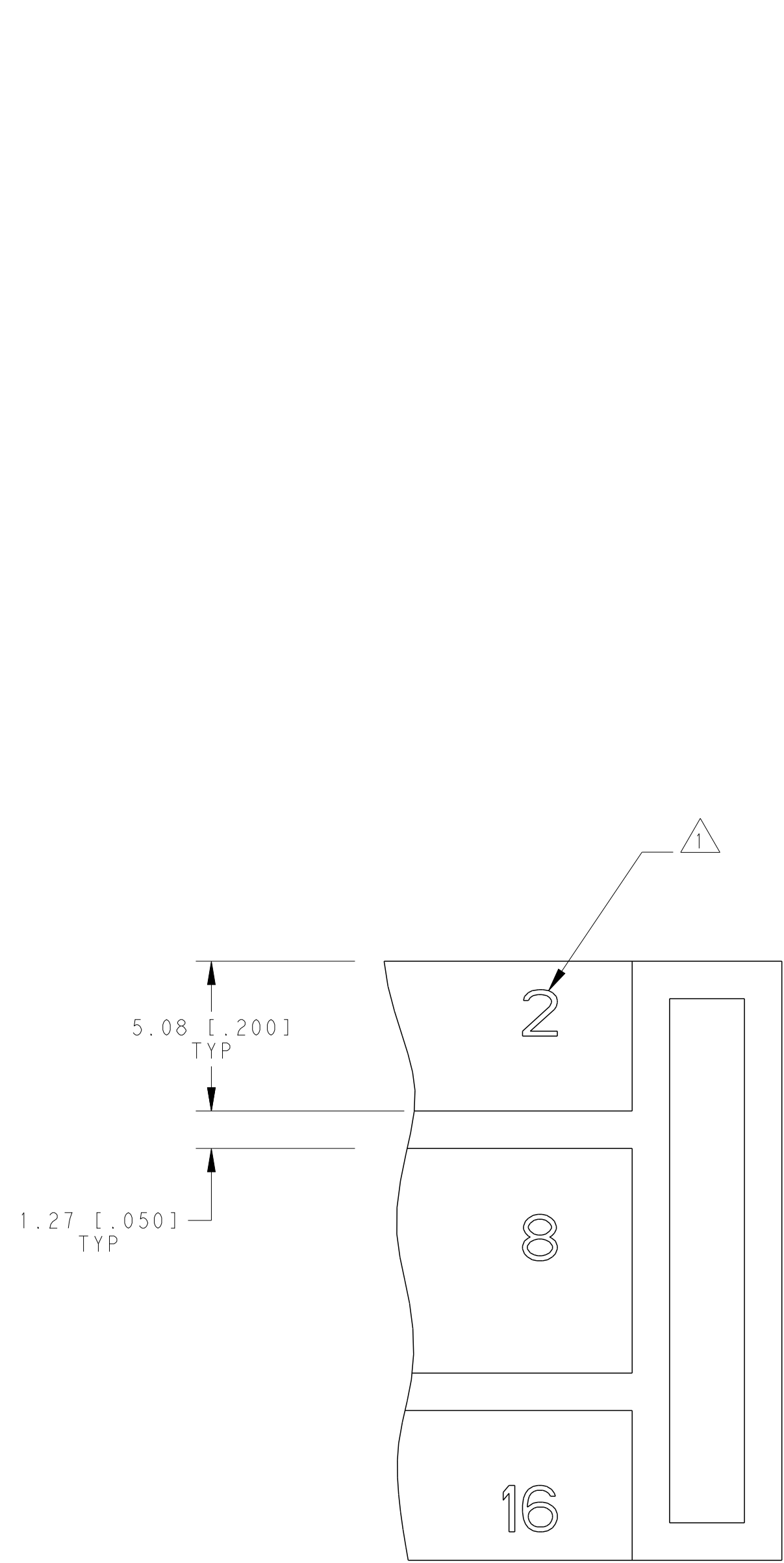


REVISIONS				
P	LTN	DESCRIPTION	DATE	APVD
B		REV PER 0G3C-0040-03	31JUL03	RB DS
C		REVISED PER ECO-18-000624	22JAN2018	RS JO



△ CAVITY ID'S AND AMP TRADEMARKS MOLDED IN AT LOCATIONS SHOWN.

104917-1
ASSEMBLY
PART
NUMBER

THIS DRAWING IS A CONTROLLED DOCUMENT.		DWN E. BRANDBERG CHK S. SHUEY APVD S. SHUEY	10-28-94 10-28-94 10-28-94	TE Connectivity NAME HOUSING, MOD IV, DBL ROW, 2.54[.100] CL X 2.54[.100] CL, WITH POLARIZATION AND LATCH
DIMENSIONS: mm [INCHES]	TOLERANCES UNLESS OTHERWISE SPECIFIED:	PRODUCT SPEC	APPLICATION SPEC	
0 PLC ± 1 PLC ± 2 PLC ±0.13(.005) 3 PLC ± 4 PLC ± ANGLES ± FINISH ±	0.15 [.006] A B S 0.10 [.004] A B S 0.10 [.004] A B S 0.15 [.006] A C	RESTRICTED TO	RESTRICTED TO	
MATERIAL FLAME RETARANT THERMOPLASTIC COLOR: BLACK	WEIGHT	A100779C=104917	RESTRICTED CUSTOMER	
SCALE 6:1		SHEET 1 OF 1	REV C	