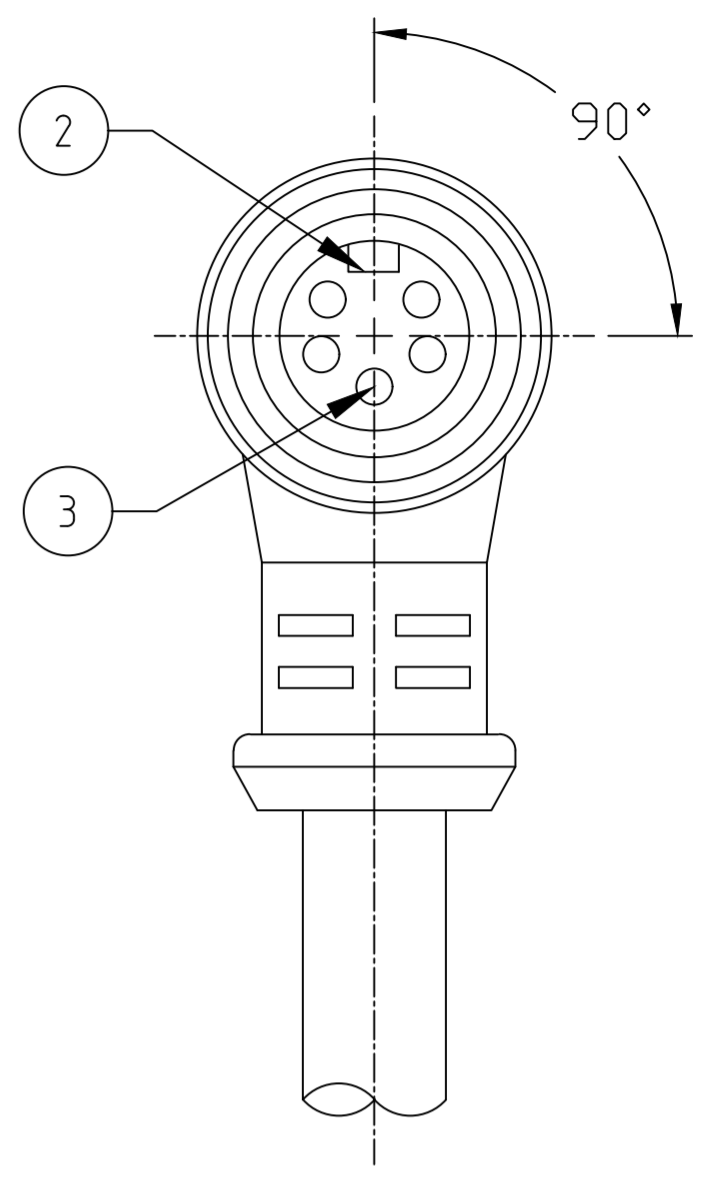
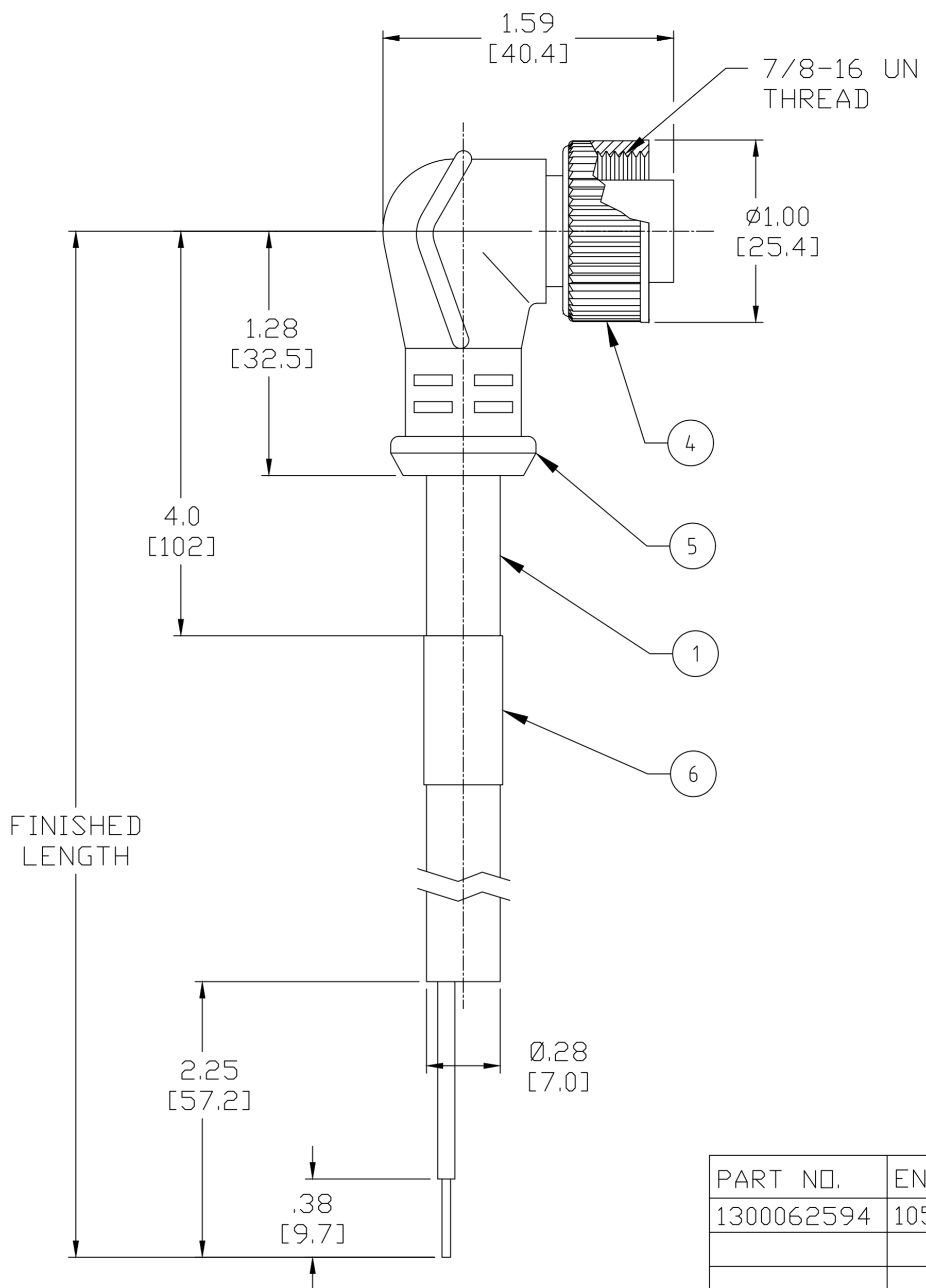


- NOTES:
1. MATERIAL: AS NOTED
  2. FINISH: AS NOTED
  3. ELECTRICAL:  
VOLTAGE: 300V  
CURRENT: 5.6A
  4. TEMP RATING: -25°C TO +105°C
  5. PROTECTION: IP67 (WHEN MATED)
  6. COUPLING THREAD: AS NOTED
  7. ALL DIMS ARE FOR REFERENCE UNLESS TOLERANCED OR NOTED OTHERWISE

PART NUMBER LEGEND

POLE COUNT → 105001K03M005

FINISHED LENGTH:  
M005= 0.5 METER  
M010= 1.0 METER  
M100= 10.0 METER



CABLE LENGTH TOLERANCES

>.3M [1FT]:	+19mm-0 [ +.75in-0]
.3 - .9M [1 - 3FT]:	+44.5mm-0 [+1.75in-0]
.9 - 1.8M [3 - 6FT]:	+55.6mm-0 [+2.19in-0]
1.8 - 3.7M [6 - 12FT]:	+88.9mm-0 [+3.50in-0]
3.7 - 7.3M [12 - 24FT]:	+165.1mm-0 [+6.50in-0]
7.3-14.6M [24 - 48FT]:	+317.5mm-0 [+12.50in-0]
14.6 - 30.5M [48-100FT]:	+622.3mm-0 [+24.50in-0]
OVER 30M [100FT]	+2% OF FINISHED LENGTH

PART NO.	ENGINEERING NO.	FINISHED LENGTH
1300062594	105001K03M005	0.5M [1FT 8IN]

ITEM	DESCRIPTION	MATERIAL	FINISH
6	WRAP LABEL	VINYL	BLACK/YELLOW
5	OVERMOLD	TPE	YELLOW
4	COUPLING NUT, INT. THD	ZINC DIE-CAST	NICKEL PLATED
3	CONTACT SOCKET	COPPER ALLOY	GOLD PLATED
2	FEMALE INSERT	TPE	YELLOW
1	CABLE, 18AWG, PLTC	TPE JACKET	YELLOW

THIS DRAWING CONTAINS INFORMATION THAT IS PROPRIETARY TO MOLEX ELECTRONIC TECHNOLOGIES, LLC AND SHOULD NOT BE USED WITHOUT WRITTEN PERMISSION

SYMBOLS

▽ = 0	INCH/MM	SCALE	1:1
▽ = 0	GENERAL TOLERANCES (UNLESS SPECIFIED)		
▽ = 0	4 PLACES	±----	±----
▽ = 0	3 PLACES	±----	±----
▽ = 0	2 PLACES	±----	±----
▽ = 0	1 PLACE	±----	±----
▽ = 0	0 PLACES	±----	±----
▽ = 0	ANGULAR TOL ± ---- °		
▽ = 0	DRAFT WHERE APPLICABLE MUST REMAIN WITHIN DIMENSIONS		
▽ = 0	THIRD ANGLE PROJECTION		

CURRENT REV DESC: RELEASED

EC NO: 627392  
DRWN: RSTONE 2019/11/13  
CHK'D: MZIELINSKI 2019/11/18  
APPR: BWOODMAN 2019/11/20

INITIAL REVISION:  
DRWN: RSTONE 2019/11/13  
APPR: BWOODMAN 2019/11/20

DOCUMENT NUMBER: 1300062594  
DOC TYPE: PSD  
DOC PART: 000  
REVISION: A

MATERIAL NUMBER: 130006  
CUSTOMER: GENERAL MARKET  
SHEET NUMBER: 1 OF 1

FORMAT: IN ACAD 2012  
REVISION: A  
DATE: 2019/11/20