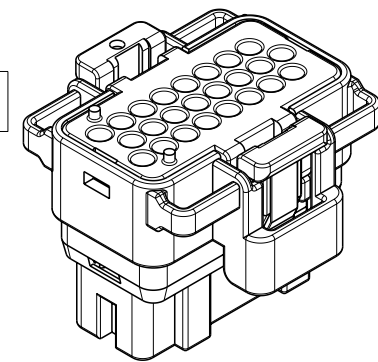
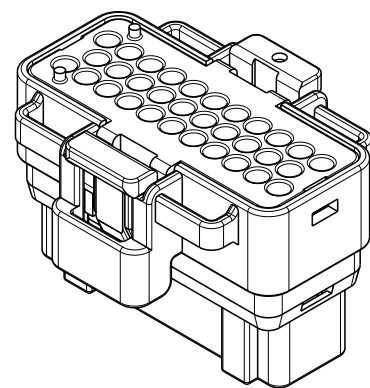


REVISIONS				
P	LTR	DESCRIPTION	DATE	APVD
F	I	REVISED PER ECR-08-006840	17MAR2008	JM JM
G		REV PER ECO-10-0221116	29OCT2010	DD DR
G	I	REVISED PER ECO-20-012739	29SEP2020	AP GK

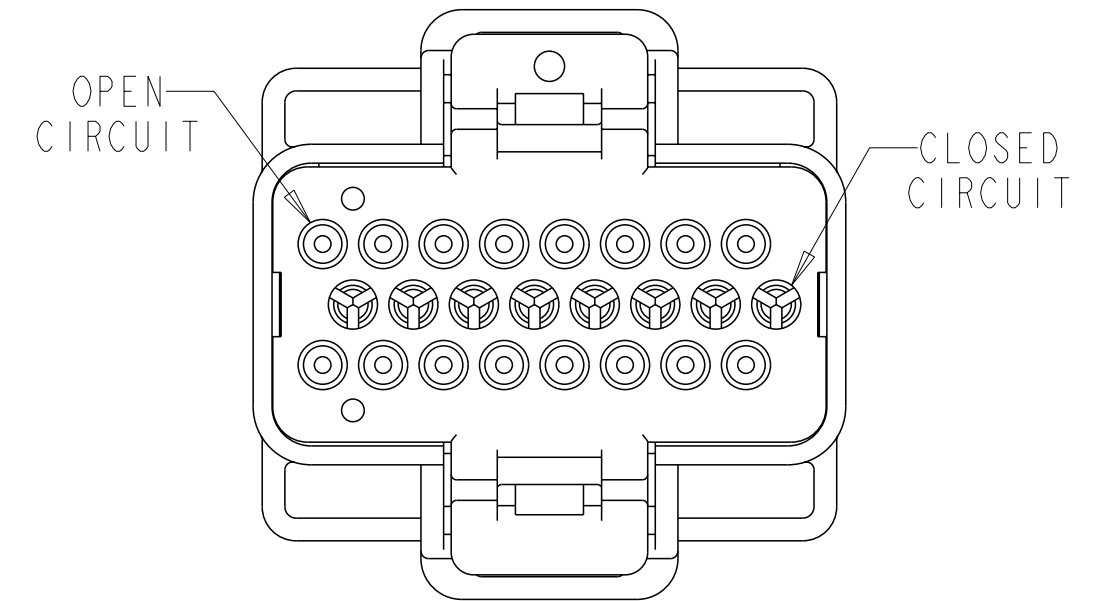
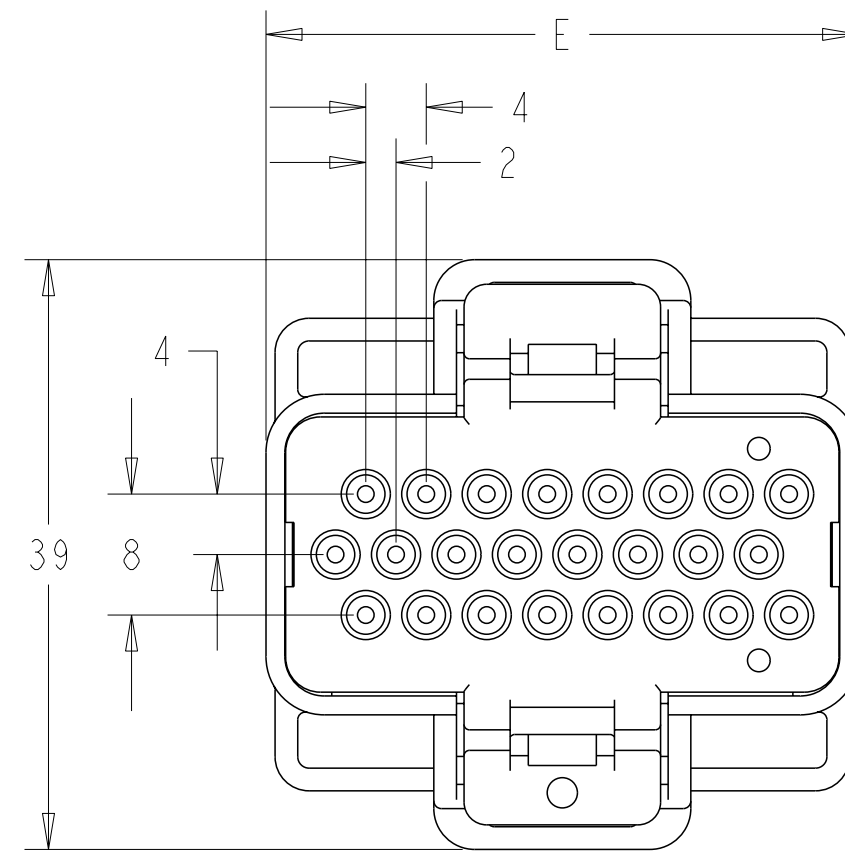
TE NO.	POSN	A	B	C	D	E	F	COLOR	
1456315-1	24	7.50	12.00	9.00	9.00	39.2	35,5	BLACK	
1456315-2	24	7.50	11.00	11.00	9.00	39.2	35,5	BLACK	
1456315-3	24	7.50	11.00	11.00	12.00	39.2	35,5	GREY	
1456315-4	24	9.00	11.00	11.00	9.00	39.2	35,5	GREY	
1456315-5	32	12.00	12.00	12.00	9.00	49.2	45.5	BLACK	
1456315-6	32	12.00	12.00	12.00	9.00	49.2	45.5	BLACK	
1456315-7	24	7.50	11.00	11.00	12.00	39.2	35,5	GREY	
1456315-8	24	9.00	11.00	11.00	9.00	39.2	35,5	GREY	
1456315-9	24	7.50	11.00	11.00	12.00	39.2	35,5	GREY	
1-1456315-0	24	7.50	11.00	11.00	12.00	39.2	35,5	GREY	OBSOLETE
1-1456315-1	24	9.00	11.00	11.00	9.00	39.2	35,5	GREY	
1-1456315-2	24	9.00	11.00	11.00	9.00	39.2	35,5	GREY	
1-1456315-3	24	7.50	12.00	9.00	9.00	39.2	35,5	BLACK	
1-1456315-4	24	7.50	11.00	11.00	9.00	39.2	35,5	BLACK	
1-1456315-5	24	7.50	11.00	11.00	12.00	39.2	35,5	GREY	
1-1456315-6	24	9.00	11.00	11.00	9.00	39.2	35,5	GREY	
1-1456315-7	24	9.00	11.00	11.00	9.00	39.2	35,5	GREY	
1-1456315-8	24	7.50	11.00	11.00	12.00	39.2	35,5	GREY	
1-1456315-9	24	9.00	11.00	11.00	9.00	39.2	35,5	GREY	OBSOLETE
2-1456315-0	32	12.00	12.00	12.00	9.00	49.2	45.5	BLACK	



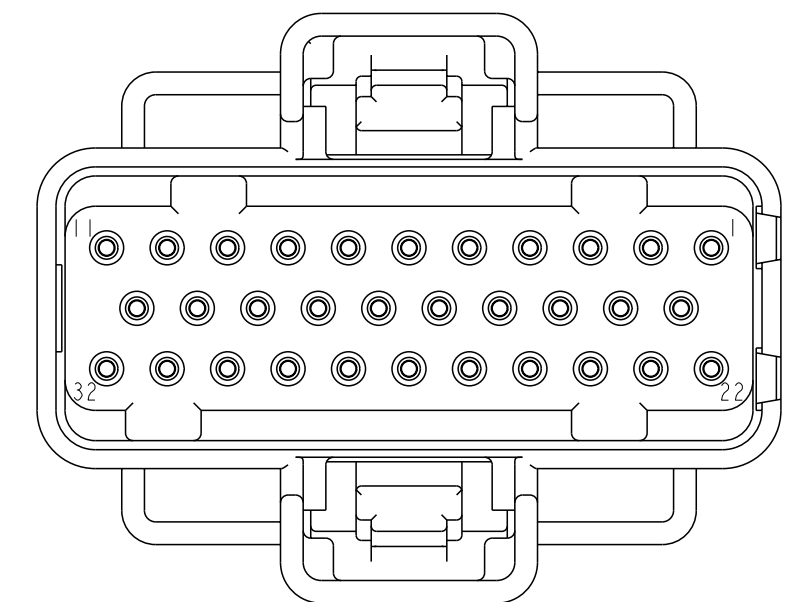
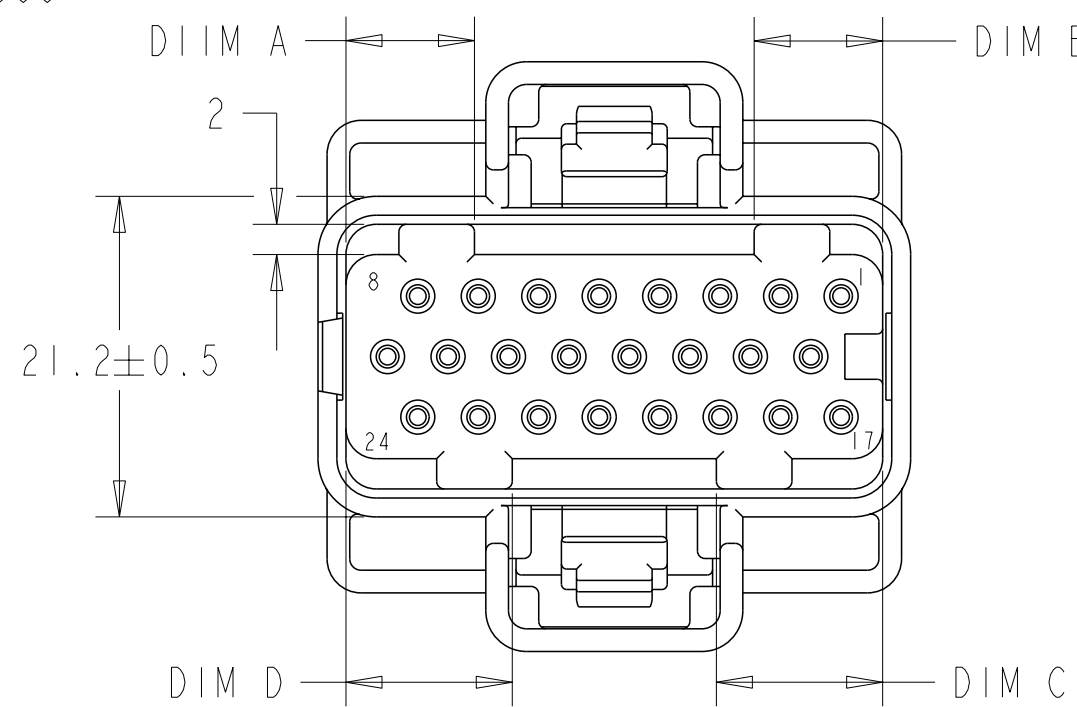
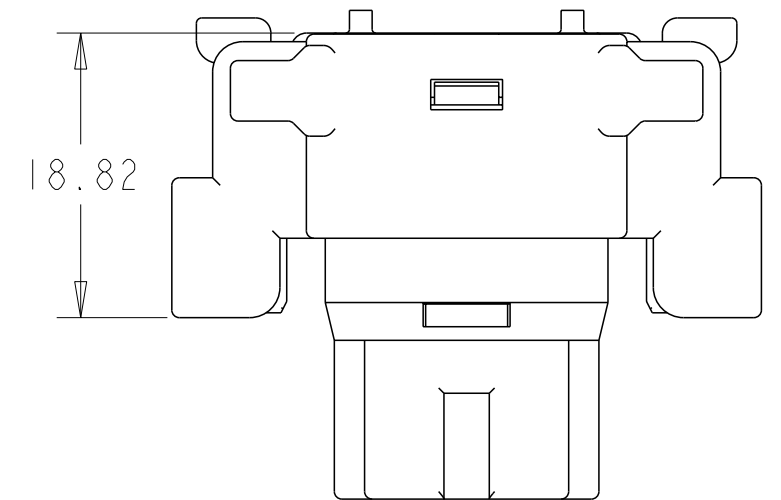
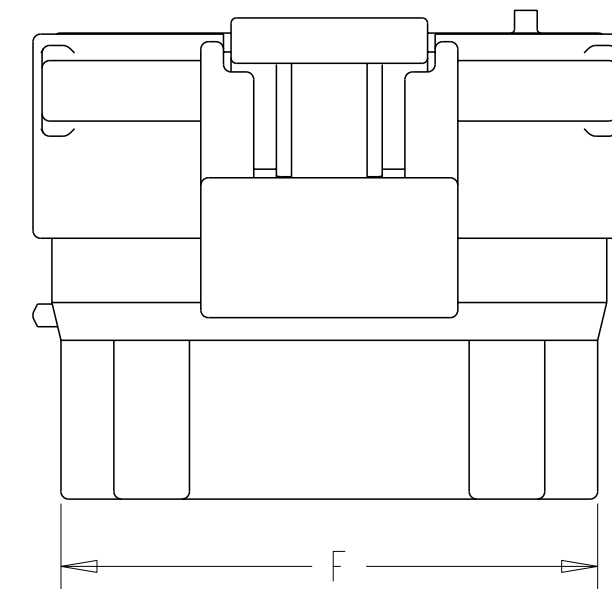
24 POSITION ASSY
SCALE 1.000



32 POSITION ASSY
SCALE 1.000



1456315-1 DISPLAYED



Part Number	SIZE	Complexity Matrix Position Number																																Not Applicable			
		1	2	3	4	5	6	7	8	9	10	11	12	13	14	15	16	17	18	19	20	21	22	23	24	25	26	27	28	29	30	31	32	Closed Position			
1456315-1	24																																				X
1456315-2	24																																				X
1456315-3	24																																			X	
1456315-4	24																																			X	
1456315-5	32																																			X	
1456315-6	32																																			X	
1456315-7	24																																			X	
1456315-8	24																																			X	
1456315-9	24																																			X	
1-1456315-0	24																																			X	OBSOLETE
1-1456315-1	24																																			X	
1-1456315-2	24																																			X	
1-1456315-3	24																																			X	
1-1456315-4	24																																			X	
1-1456315-5	24																																			X	
1-1456315-6	24																																			X	
1-1456315-7	24																																			X	
1-1456315-8	24																																			X	
1-1456315-9	24																																			X	OBSOLETE
2-1456315-0	32																																			X	

Recommended Terminal	
TE P/N	AWG
0-1437284-9	20-18
1-1437284-0	16

THIS DRAWING IS A CONTROLLED DOCUMENT.

DIMENSIONS: mm	TOLERANCES UNLESS OTHERWISE SPECIFIED:	DWN R. HARDISON 08 JUN2001	
		CHK R. HARDISON 08 JUN2001	
		APVD R. HARDISON 08 JUN2001	TE Connectivity
		PRODUCT SPEC	NAME SOCKET ASSY, FOR 1.0mm MIP CONN SYS SELECTIVELY LOADED STRAIN RELIEF SIEMENS AUTOMOTIVE
		APPLICATION SPEC	SIZE A2 CAGE CODE 00779 DRAWING NO C-1456315 RESTRICTED TO
		WEIGHT	SCALE 2.000 SHEET 1 OF 1 REV G1
		CUSTOMER DRAWING	