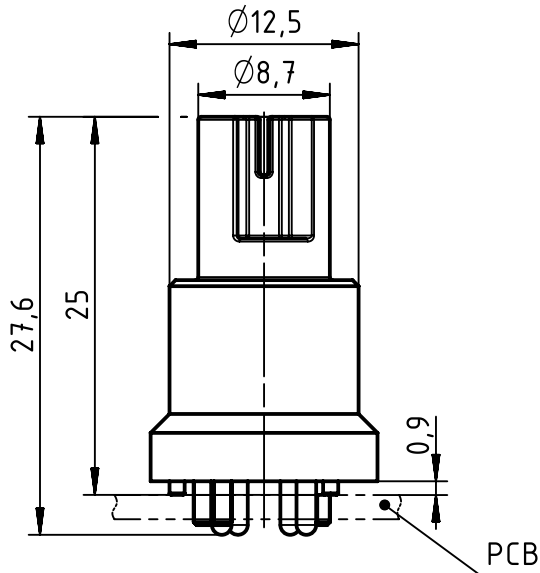
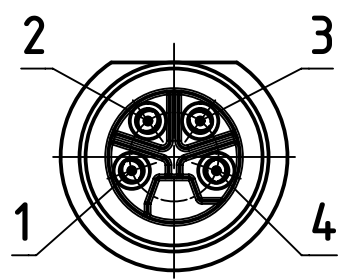


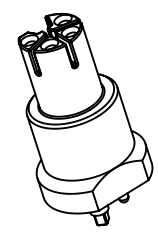
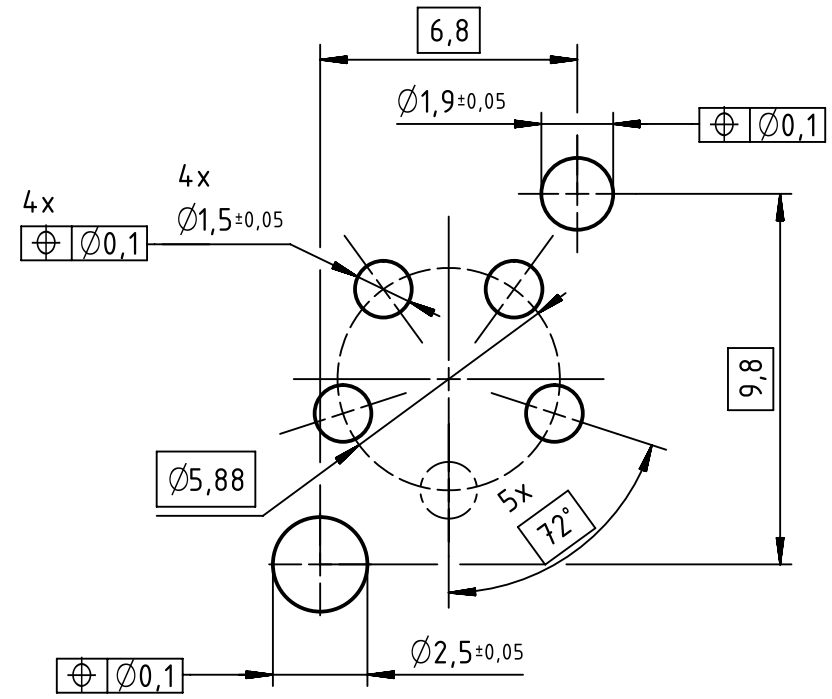
A



contact face based on IEC 61076-2-111



### A (5:1) recommended PCB-layout



	All rights reserved Department EL PD	All Dimensions in mm Original Size DIN A4			Scale 2:1	Free size tol.	Ref. Sub.
		HARTING Electronics GmbH D-32339 Espelkamp	Created by SERBANA	Inspected by DRAGHICI	Standardisation HOFFMANN	Date 2018-10-24	State Final Release
Title <b>M12 Power PCB receptacle female L-coded w/o FE</b>						Doc-Key / ECM-Nr. 100747773/UGD/002/E 500000141541	
Type <b>TB</b>					Number <b>21033962506</b>		Rev. <b>E</b>
							Page 1/1