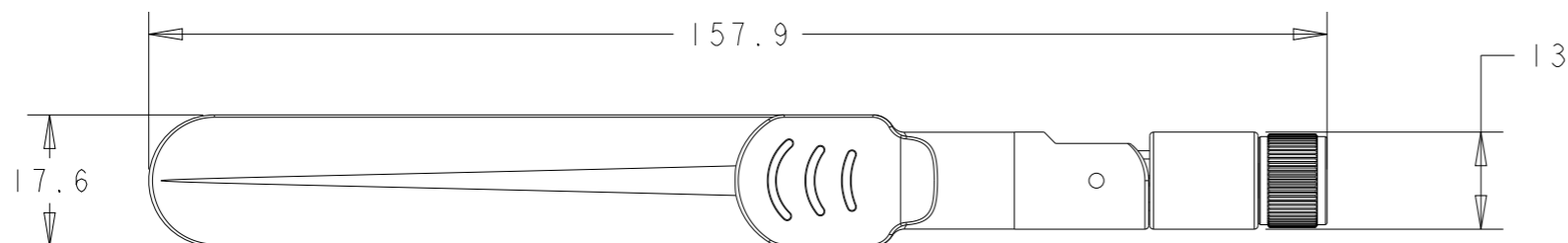
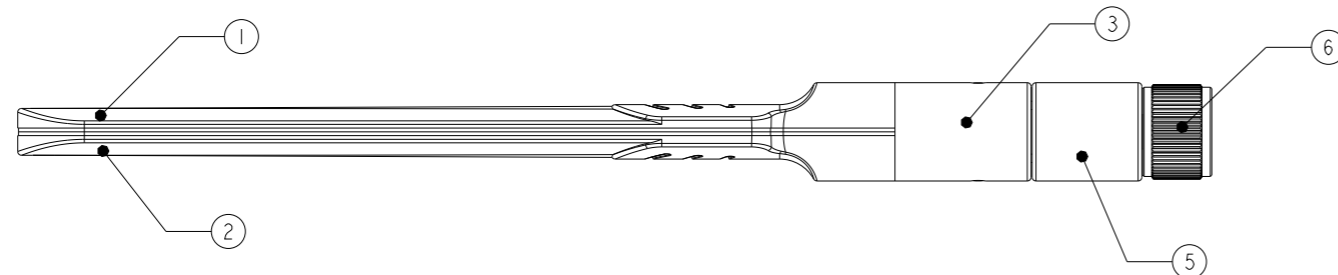


P	LTR	DESCRIPTION	DATE	DWN	APVD
	A1	REVISED PER ECN-22-168089	04AUG2022	SJ	CY

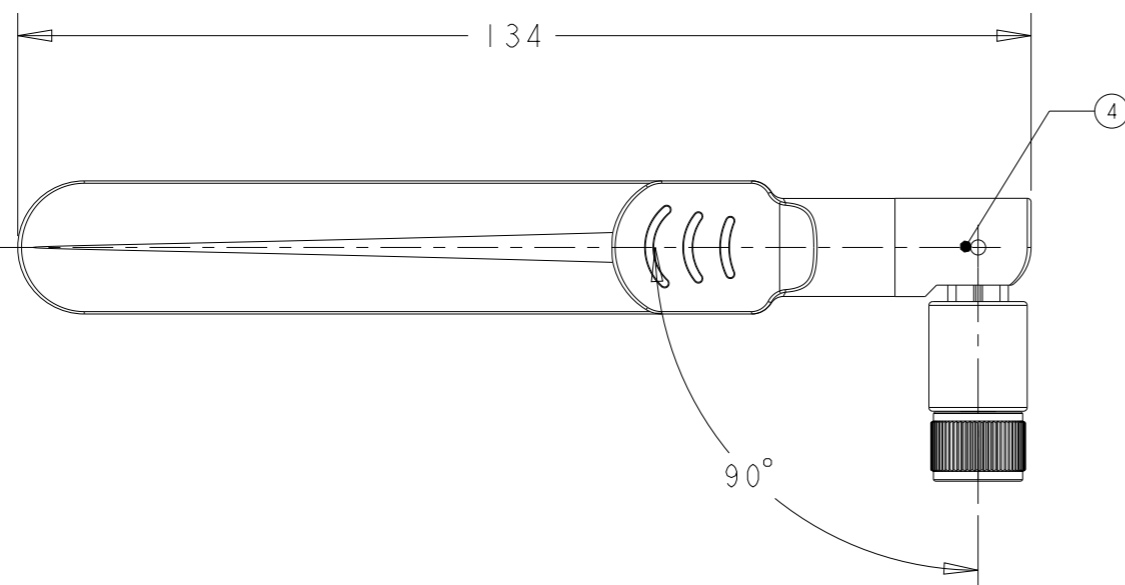


2108940-1 of SMA
2108940-2 of RP SMA



NOTES

- MATERIAL : SEE TABLE1.
- SPECIFICATION
 FREQUENCY : 2.4~2.5Ghz & 5.15~5.85Ghz
 VSWR : <=2.5:1(TBD)
 GAIN 2.4Ghz: TBD dBi/ 5Ghz : TBDdBi
 IMPEDANCE : 50 ohm
 POLARIZATION : VERTICAL
 OPERATING TEMP : -30°C TO +70°C
 STORAGE TEMP : -30°C TO +70°C
- PACKAGING : BAG WRAPPED PACKAGE IN BULK.



TE PART NUMBER	2108940-2	2108940-1	TABLE 1			
	1	-	SHELL(BLACK)	RP-SMA PLUG/POM	RP-SMA PLUG ASSY	6
	-	1	SHELL(BLACK)	SMA PLUG/POM	SMA PLUG ASSY	6
	2	2	BLACK	ABS	BOTTOM BASE	5
	1	1	BLACK	POM	HINGE PIN	4
	1	1	BLACK	ABS	UPPER BASE	3
	1	1	BLACK	ABS	ANTENNA CAP B	2
	1	1	BLACK	ABS	ANTENNA CAP A	1
	Q'TY	Q'TY	COLOR/FINISH	MATERIAL	DESCRIPTION	ITEM

THIS DRAWING IS A CONTROLLED DOCUMENT.		DWN S.J.NOH 26AUG2021		
DIMENSIONS: mm		CHK H.SHIN 26AUG2021		
TOLERANCES UNLESS OTHERWISE SPECIFIED:		APVD CY.PARK 26AUG2021	NAME Terminal Ant, SMA, RP SMA LTE + GNSS 698-2700MHZ	
0 PLC ±-		PRODUCT SPEC	SIZE	
1 PLC ±-		APPLICATION SPEC	CAGE CODE	
2 PLC ±-			DRAWING NO	
3 PLC ±-			RESTRICTED TO	
4 PLC ±-			A300779	
ANGLES ±-		WEIGHT	C=2108940	
FINISH			SCALE 1:1	
MATERIAL TBD			SHEET 1 OF 1	
-		CUSTOMER DRAWING	REV A1	
finish_spec_2				