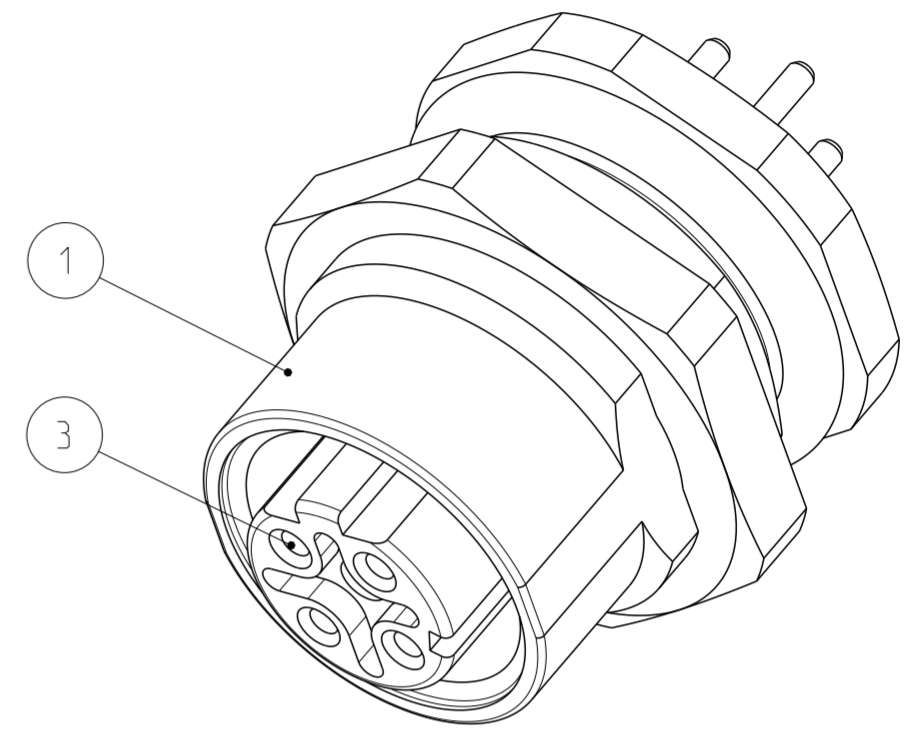
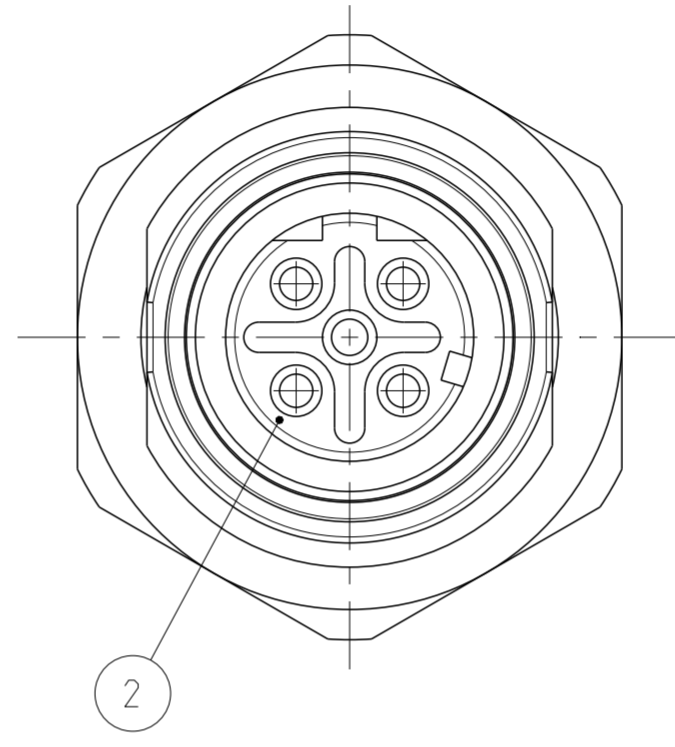
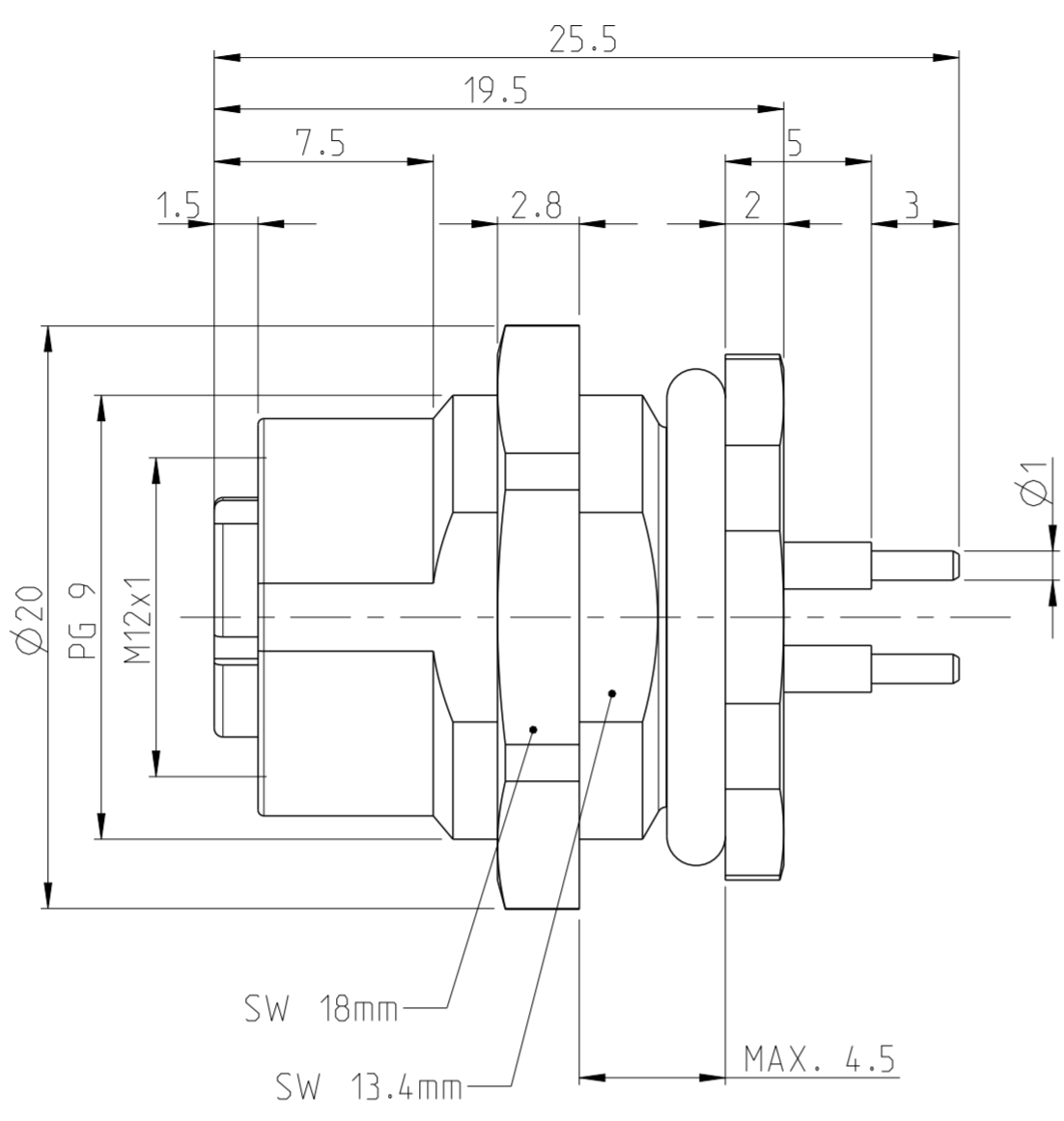


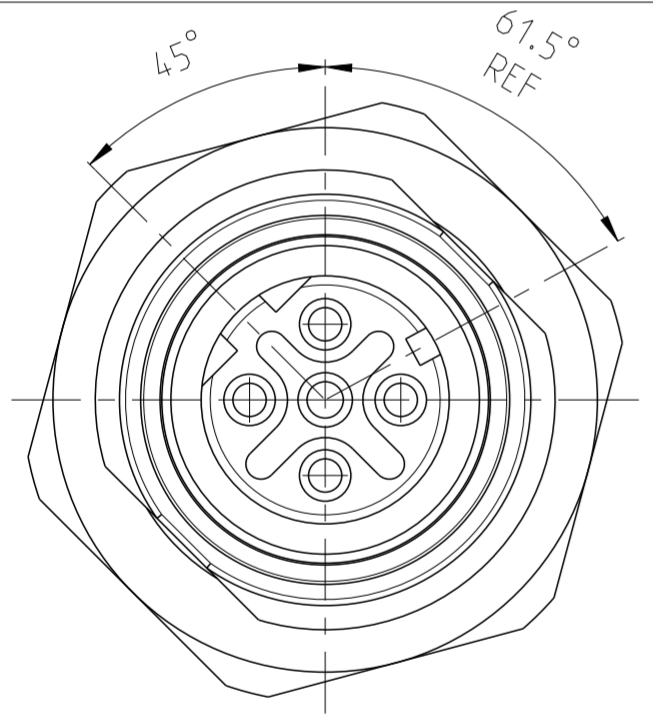
REVISIONS		DATE	DWN	APVD
ÄNDERUNGEN				
P	LTR	DESCRIPTION		
		BESCHREIBUNG		
	A2	ADDED PCB LAYOUT IN DRAWING	20AUG2014	YR MB

TECHNICAL DATA	3-2271145-2
RATED VOLTAGE	250V
RATED IMPULSE VOLTAGE	2500V
POLLUTION DEGREE	3
OVERVOLTAGE CATEGORY	II
MATERIAL GROUP	II
RATED CURRENT	4A
VOLUME RESISTIVITY	≤ 3mΩ
DEGREE OF PROTECTION	IP67
UPPER TEMPERATURE	+85°C
LOWER TEMPERATURE	-40°C



PIN ARRANGEMENT D-CODING

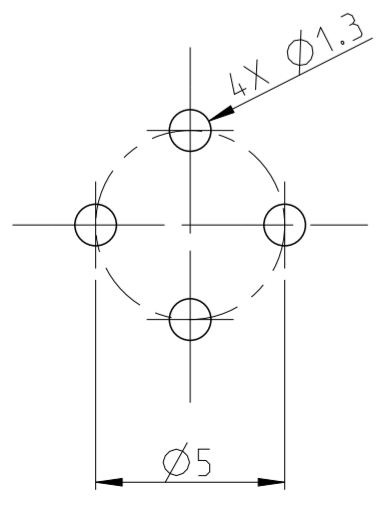
3-2271145-2



- 1 MATERIAL: ITEM NO. 1: HOUSING - BRASS, ZINC DIECASTING, NICKEL PLATED
 ITEM NO. 2: CONTACT BODY - PA
 ITEM NO. 3: CONTACT - CuSn (BRONZE)
 CONTACT FINISH - Au (gold)

- 2 ALL DIMENSIONS ARE FOR NOMINAL REFERENCE ONLY UNLESS OTHERWISE STATED
 3 PACKAGING: 20 PIECE IN A BAG

PCB LAYOUT



3-2 AS SHOWN WIE GEZEICHNET

24 / 0.25mm ²	1	4	3-2271145-2
WIRES AWG / mm ²	MATERIAL	NUMBER OF POLES	TE-PART-NO.

DIESE ZEICHNUNG IST EIN KONTROLLIERTES DOKUMENT. BEMASSUNGEN UND TOLERANZEN GEMAESS GPS (ISO STANDARDS). THIS DRAWING IS A CONTROLLED DOCUMENT. DIMENSIONING AND TOLERANCING PER GPS (ISO STANDARDS).

DIMENSIONS: MASSEINHEITEN: (MM)	TOLERANCES UNLESS OTHERWISE SPECIFIED: ALLGEMEINTOLERANZEN	DWN YASHKUMAR 15MAY2014	 TE Connectivity	NAME
0 PLC ±	1 PLC ±	CHK M. STRELOW 15MAY2014		M12 RECEPTACLE, FEMALE, PCB MOUNT, PANEL REAR, STRAIGHT, D-CODED
2 PLC ±	3 PLC ±	APVD C. SCHREITLINGER 15MAY2014		
4 PLC ±	ANGLES/WINKEL ±	PRODUCT SPEC 108-19483		
MATERIAL SEE NOTES	FINISH/OBERFLAECHE/FARBE SEE NOTES	APPLICATION SPEC 114-32127	WEIGHT -	SIZE A2
		Customer Drawing	Customer Drawing	RESTRICTED TO NUR FUER -

SCALE MASSSTAB 4:1 SHEET BLATT 1 OF VON 1 REV A2

SIZE ISO 14405 (E)