

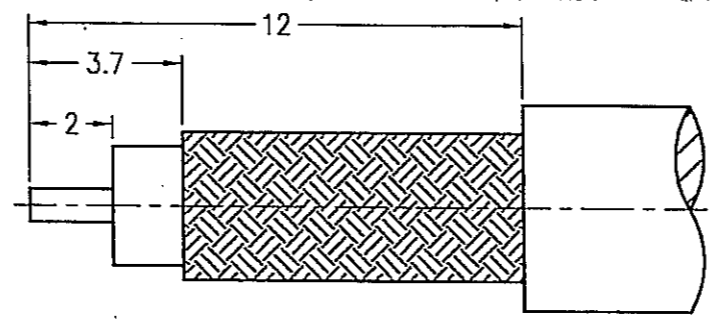
NOTES:

1. MATERIALS AND FINISHES(PLATING THICKNESS IN MICRO-INCHES):  
 BODY - BRASS, GOLD PLATING  
 CONTACT - BERYLLIUM COPPER, GOLD PLATING  
 INSULATOR - PTFE
2. ELECTRICAL:  
 A. IMPEDANCE: 50 OHM  
 B. FREQUENCY RANGE: DC 0-12.4 GHz  
 C. VSWR(RETURN LOSS): 1.3, MAX.  
 D. DIELECTRIC WITHSTANDING VOLTAGE: 1000 VRMS, MIN.
3. MECHANICAL:  
 A. DURABILITY: 500 CYCLES MIN.  
 B. TEMPERATURE RANGE: - 65°C to +165°C
4. CRIMPED FERRULE  
 HEX CRIMP SIZE .178"
5. CONTACT PIN TO SOLDER

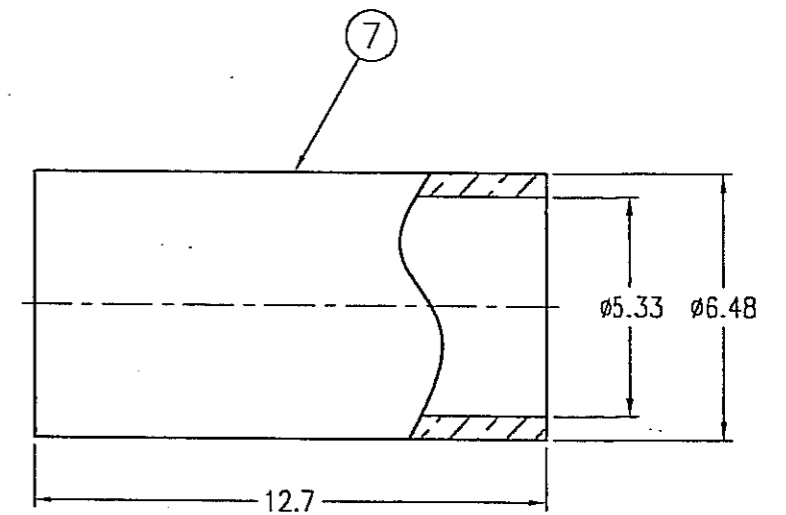
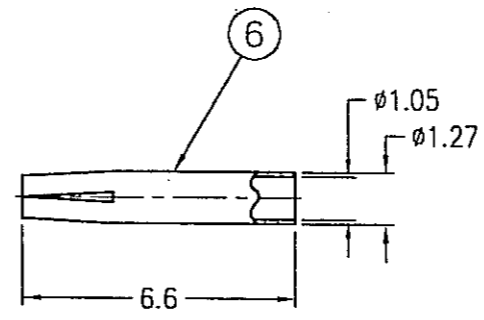
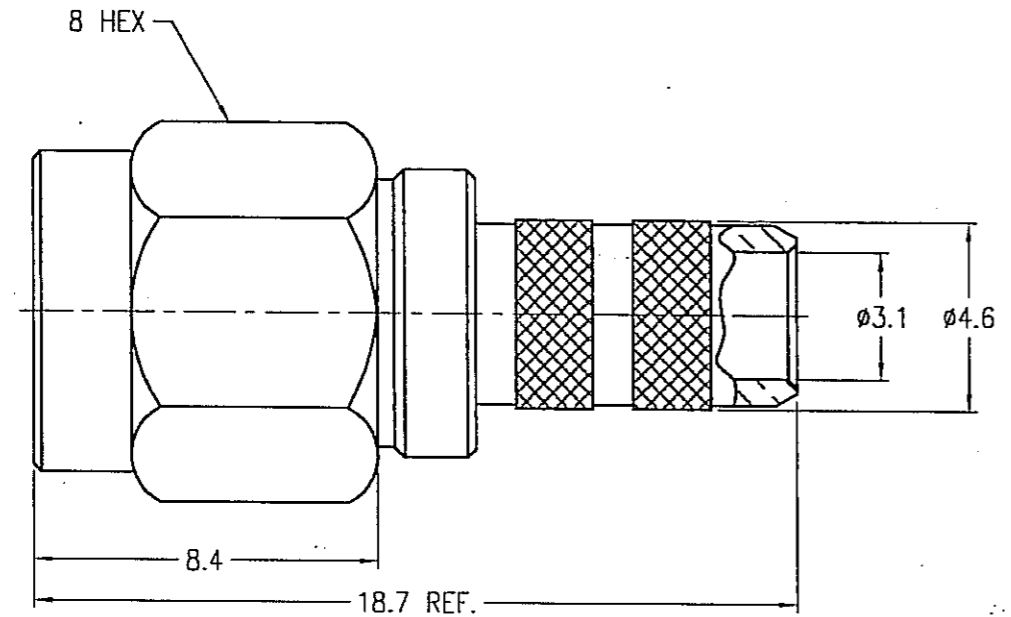
THIRD ANGLE PROJ.

REVISIONS

REV	DESCRIPTION	DATE	ECO	APPR
B	NO.1 WAS CHANGED\RD-DM89042001C	04-20-00		Sharon
C	NO.6 WAS CHANGED\RD-DM89103101Y	10-31-00		Sharon
C1	NO.6 WAS CHANGED\N/A	09-24-03		Sharon
D	NO.1 WAS CHANGED	20-Dec-06	46388	Emily



RECOMMENDED  
CABLE STRIPPING DIM'S  
(建議剝線尺寸)



**CUSTOMER OUTLINE DRAWING**

ALL OTHER SHEETS ARE FOR INTERNAL USE ONLY

UNLESS OTHERWISE SPECIFIED, DIMENSIONS ARE IN METRIC AND TOLERANCES ARE: 0.5 - 6mm ±0.1mm 6 - 30mm ±0.2mm 30 - 120mm ± 0.3mm ANGLES ±1°	MATERIAL	DRAWN Emily	DATE 20-Dec-06	TITLE SMA REVERSE POLARITY CRIMP PLUG (FOR RG-58C/U, 58/U)		Amphenol RF Danbury CT USA, Tainan Taiwan, Shenzhen China www.amphenolrf.com	
	REFERENCE	ENGINEER Jerry	DATE 20-Dec-06	DRAWING NO. RSMA1111A1-3GT50G-58U-50		ITEM NO. 611111AAA58GA5F	
NOTICE - These drawings, specifications, or other data (1) are, and remain the property of Amphenol Corp. (2) must be returned upon request; and (3) are confidential and not to be disclosed to any person other than those to whom they are given by Amphenol Corp. The furnishing of these drawings, specifications, or other data by Amphenol Corp., or to any other person to anyone for any purpose is not to be regarded by implication or otherwise in any manner licensing, granting rights or permitting such holder or any other person to manufacture, use or sell any product, process or design, patented or otherwise, that may in any way be related to or disclosed by said drawings, specifications, or other data.	FINISH PER KAI JACK SPEC. EP-SS-9700	APPROVED Scott	DATE 20-Dec-06	SCALE: 4/1	SHEET 1 OF 1	PART NO. 901-10170	
		CAD FILE F:\DWG\RSMA\1111A1\58U-50\3GT50G-DSZ	DWG SIZE B	CODE ID 74868	REV D		