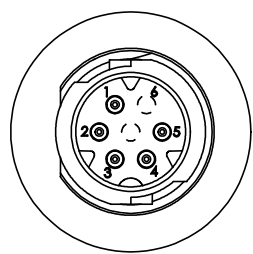


CUSTOMER PRINT

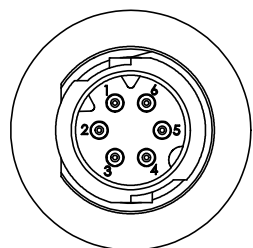
PART NUMBER: W17980-XPG-P-300

ASS'Y P/N	NO. OF CONTACTS	KEY STYLE
W17980-5PG-P-300	5 #26	A-KEY
W17980-6PG-P-300	6 #26	B-KEY
W17980-7PG-P-300	7 #26	A-KEY

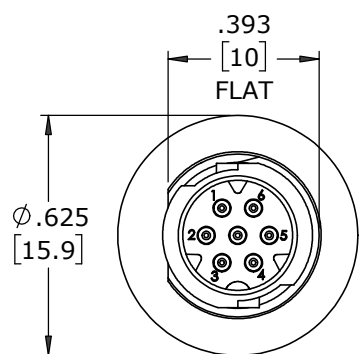
- NOTES:
 1. ALL PARTS TO BE BULK PACKED
 2. CONTACTS SHIPPED UNASSEMBLED
 3. ALL DIMENSIONS ARE REFERENCE EXCEPT THOSE WITH A TOLERANCE



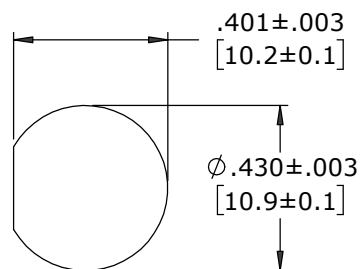
FACE VIEW
 W17980-5PG-P-300
 5 POSITION
 A-KEY



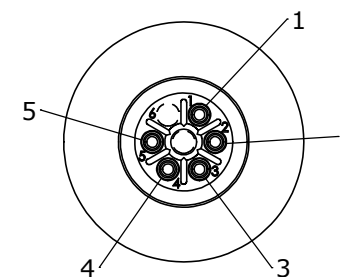
FACE VIEW
 W17980-6PG-P-300
 6 POSITION
 B-KEY



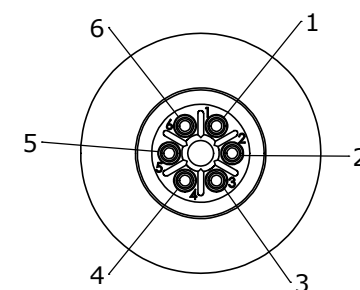
FACE VIEW
 W17980-7PG-P-300
 7 POSITION
 A-KEY



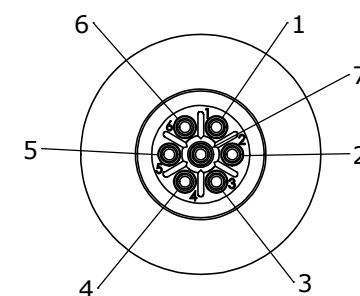
**RECCOMENDED
 PANEL CUT-OUT**



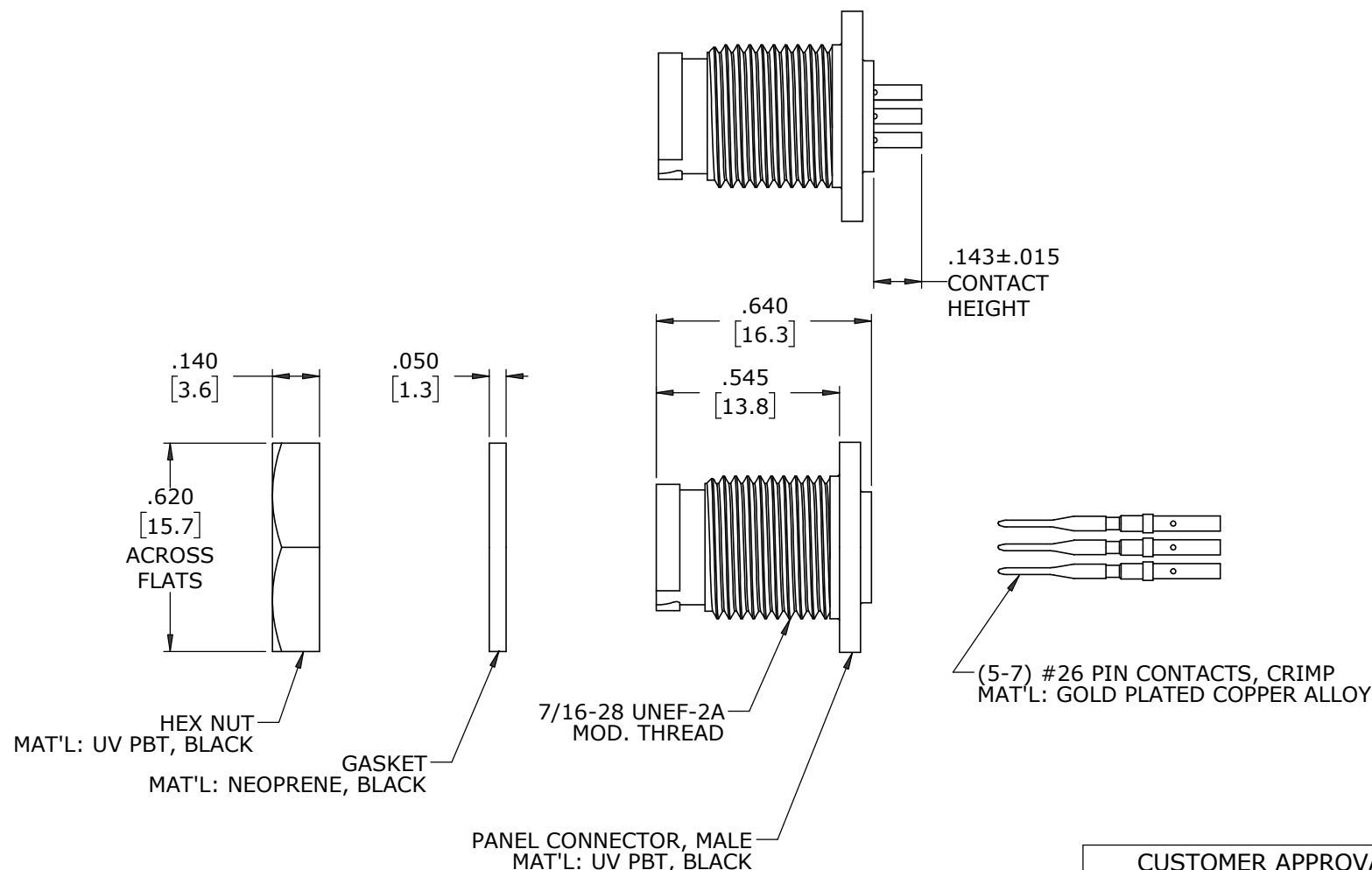
WIRE VIEW
 W17980-5PG-P-300



WIRE VIEW
 W17980-6PG-P-300



WIRE VIEW
 W17980-10PG-P-300



CUSTOMER APPROVAL

THIS DOCUMENT CONTAINS CONFIDENTIAL INFORMATION PROPRIETARY TO CONXALL CORPORATION. ANY REPRODUCTION, DISCLOSURE, OR USE OF THIS DOCUMENT /INFORMATION IS EXPRESSLY PROHIBITED UNLESS AUTHORIZED IN WRITING BY CONXALL CORPORATION.

APPROVED BY: _____
 DATE: _____

MA	08-13-20	RELEASED PER PDR 18004-2
A	JGK	8/14/19
REV.	INIT.	DATE
ALL INFORMATION ILLUSTRATED IS THE PROPERTY OF "CONXALL CORPORATION". UNAUTHORIZED DUPLICATION OR DISTRIBUTION OF THIS DOCUMENT IS PROHIBITED.		DESCRIPTION
ORIG. DRAWN BY: JGK		DATE: 8/14/19
CHECKED BY:		 601 E. WILDWOOD VILLA PARK, IL 60181
APPROVED BY:		
SCALE	SIZE	SHEET
NTS	B	1 OF 1
FILE:	DIRECTORY:	PART NUMBER:
W17980-XPG-P-300	SLW	W17980-XPG-P-300
TITLE:		REV
PANEL MOUNT ASSEMBLY (5-7) #26 PIN CONTACTS, CRIMP INSTA-CLICK™ MICRO-CON-X STANDARD PRODUCT		A

DIMENSIONS IN BRACKETS [] ARE IN MILLIMETERS UNLESS INDICATED

RoHS COMPLIANT

CRITICAL CHARACTERISTIC FLAG PER SPEC. XXXX