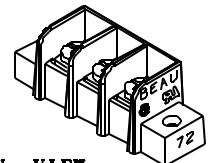
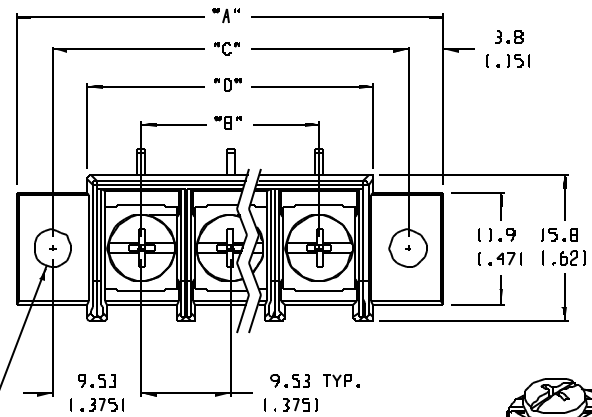


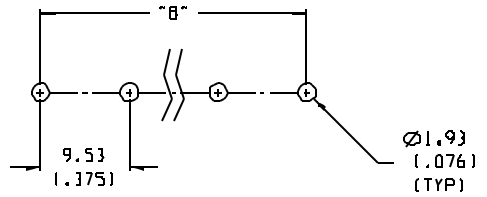
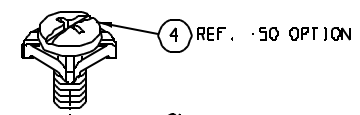
QTY. OF CIRC. "XX"	DIM. "A"	DIM. "B"	DIM. "C"	DIM. "D"	ASSEMBLY MATERIAL # STANDARD	ASSEMBLY MATERIAL # 1-50 OPT. 1
02	36.2 (1.431)	9.53 (1.375)	28.58 (1.125)	21.1 (.831)	387250002	387250402
03	45.7 (1.801)	19.05 (1.750)	38.10 (1.500)	30.7 (1.211)	387250003	387250403
04	55.2 (2.181)	28.58 (1.125)	47.63 (1.875)	40.2 (1.581)	387250004	387250404
05	64.8 (2.551)	38.10 (1.500)	57.15 (2.250)	49.7 (1.961)	387250005	387250405
06	74.3 (2.931)	47.63 (1.875)	66.68 (2.625)	59.2 (2.331)	387250006	387250406
07	83.8 (3.301)	57.15 (2.250)	76.20 (3.000)	68.8 (2.711)	387250007	387250407
08	93.3 (3.681)	66.68 (2.625)	85.73 (3.375)	78.3 (3.081)	387250008	387250408
09	102.9 (4.051)	76.20 (3.000)	95.25 (3.750)	87.8 (3.461)	387250009	387250409
10	112.4 (4.431)	85.73 (3.375)	104.78 (4.125)	97.3 (3.831)	387250010	387250410
11	121.9 (4.801)	95.25 (3.750)	114.30 (4.500)	106.9 (4.211)	387250011	387250411
12	131.4 (5.181)	104.78 (4.125)	123.83 (4.875)	116.4 (4.581)	387250012	387250412
13	141.0 (5.551)	114.30 (4.500)	133.35 (5.250)	125.9 (4.961)	387250013	387250413
14	150.5 (5.931)	123.83 (4.875)	142.88 (5.625)	135.4 (5.331)	387250014	387250414
15	160.0 (6.301)	133.35 (5.250)	152.40 (6.000)	145.0 (5.711)	387250015	387250415
16	169.5 (6.681)	142.88 (5.625)	161.93 (6.375)	154.5 (6.081)	387250016	387250416



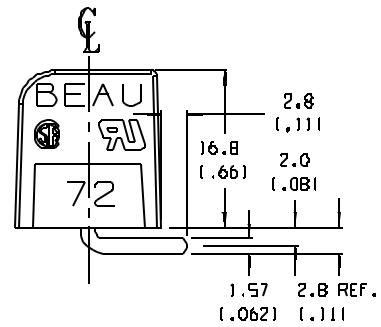
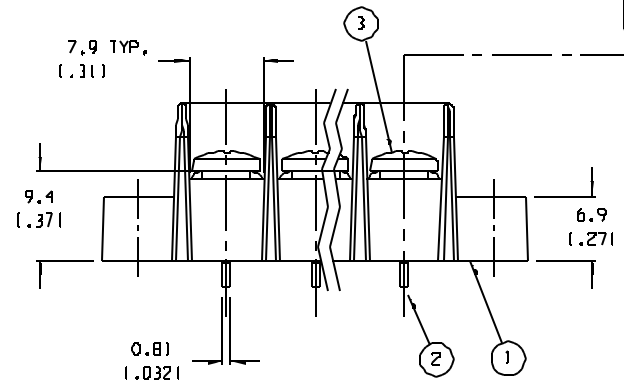
AUX. VIEW  
SCALE 1:1  
3 CIRCUIT SHOWN



Ø3.96 2 HOLES  
(1.156)



PTH PATTERN



- NOTES:
- MATERIALS: SEE TABLE
  - FINISHES: SEE TABLE
  - PRODUCT SPECIFICATIONS: NOT REQUIRED
  - PACKAGING: NOT REQUIRED
  - MATES WITH: NONE
  - "XX" REFERS TO THE QUANTITY OF CIRCUITS.

ITEM	QTY.	DESCRIPTION	MATERIAL	FINISH
4	XX	SCREW W/WASHER, #6-32X.250, PANHD, PH-GL	STEEL	ZN, CLEAR CHROMATE
3	XX	SCREW, #6-32X.250, BH-D, PHIL-SLOT	STEEL	ZN, CLEAR CHROMATE
2	XX	TERMINAL, PCRA/WW 1-471	BRASS	TIN PLATE
1	1	INSULATOR, SR, CS, MOLDED MTG.	THERMOPLASTIC	BLACK

EC NO. RELEASED DHR DRWN: GHR CHK: GHR APPR: GHR	QUALITY SYMBOLS MAJOR CRITICAL SPC S	GENERAL TOLERANCES (UNLESS SPECIFIED) FRACTIONS: 1 PLACES ±.0015, 2 PLACES ±.005, 3 PLACES ±.01, 4 PLACES ±.015, 5 PLACES ±.005, 6 PLACES ±.01, 7 PLACES ±.01, 8 PLACES ±.01, 9 PLACES ±.01, 10 PLACES ±.01	SCALE: 2:1 DESIGN UNITS: <input type="checkbox"/> MM <input checked="" type="checkbox"/> INCH DRAWN BY & DATE: G. ROBERTSON 11-22-05 CHECKED BY & DATE: APPROVED BY & DATE:	THIRD ANGLE PROJECTION TITLE: 9.53mm (.375") SR BTS, PCRA ASSY, CS MOLEX INCORPORATED
		ANGLE: ±2° DRAFT WHERE APPLICABLE MUST REMAIN WITHIN DIMENSIONS	CAP FILENAME: 72R8XX THIS DRAWING CONTAINS INFORMATION THAT IS PROPRIETARY TO MOLEX INCORPORATED AND SHOULD NOT BE USED WITHOUT WRITTEN PERMISSION.	
		PROJECT NO.: DIMENSIONS: <input checked="" type="checkbox"/> MM <input type="checkbox"/> INCH <input type="checkbox"/> INCH ONLY SHEET: 1 OF 1 REVISE ON CAD ONLY	MATERIAL NO.: SEE CHART DRAWING NO.: SD-38725-001 SHEET NO.: 1 OF 1 SIZE: B	
		REV: A	SHEET: 1 OF 1 SIZE: B	