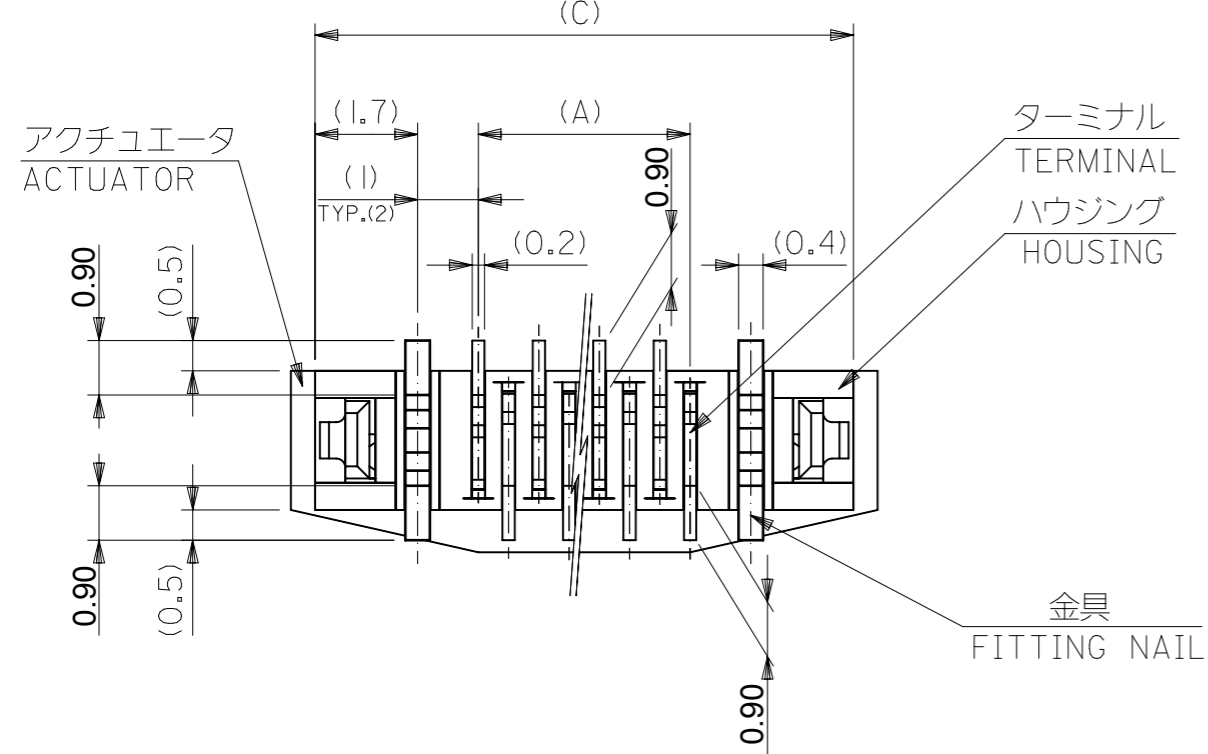
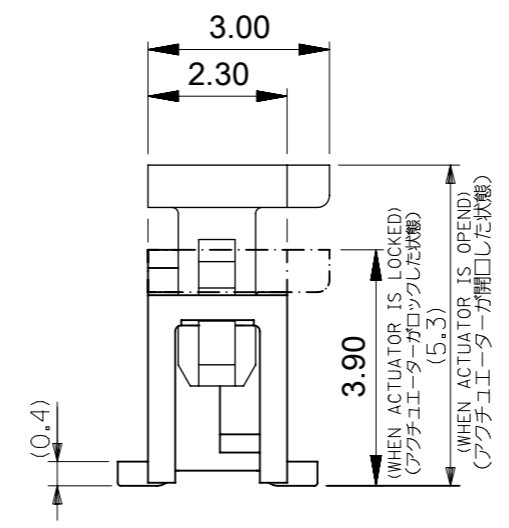
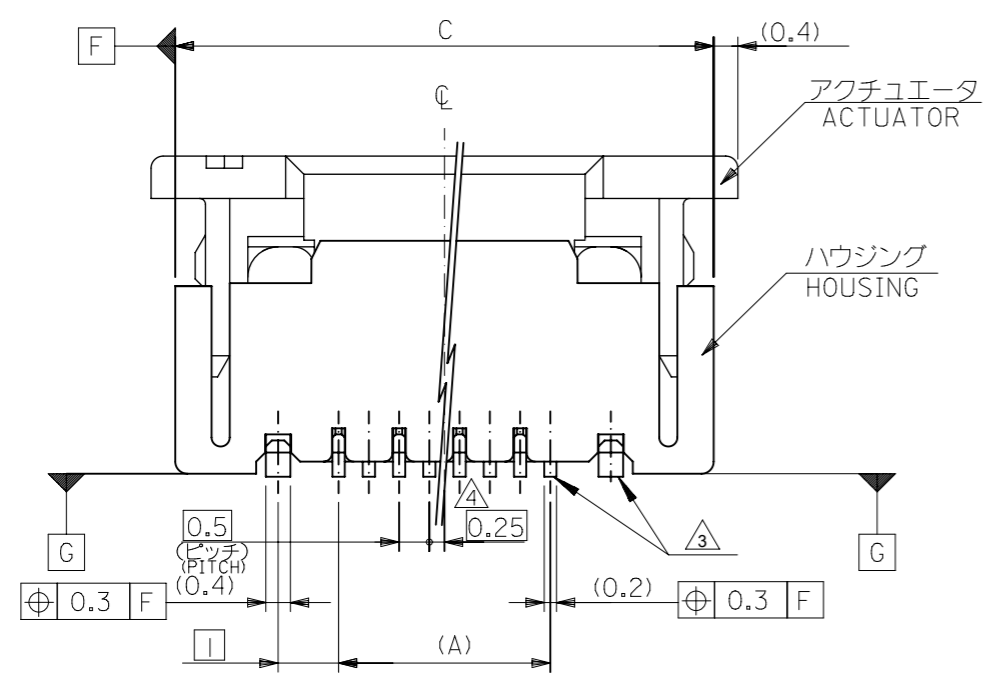
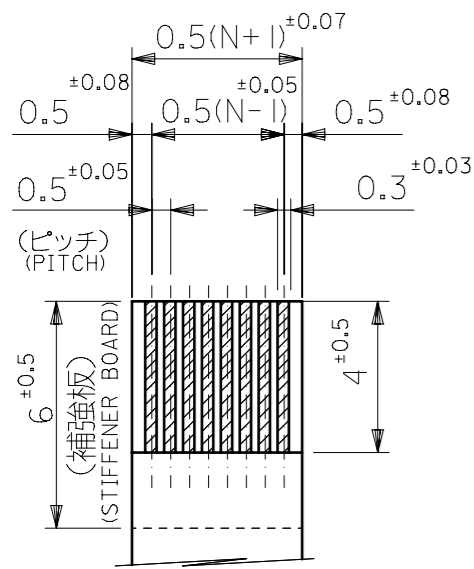


注記 NOTES

- 材質 MATERIAL
 ハウジング : ポリアミド (PA)、ガラス充填、ナチュラル (白)、UL94V-0
 HOUSING : POLYAMIDE, GLASS FILLED, NATURAL, UL94V-0
 アクチュエータ : ポリフェニレンサルファイド (PPS)、ガラス充填、ナチュラル、UL94V-0
 ACTUATOR : POLYPHENYLENE SULFIDE, GLASS FILLED, NATURAL (BROWN), UL94V-0
 ターミナル : 銅合金 (t=0.2)
 TERMINAL : COPPER ALLOY (t=0.2)
 金具 : 銅合金 (t=0.4)
 NAIL : COPPER ALLOY (t=0.4)
- めっき仕様 PLATING
 ターミナル TERMINAL
 錫銀ビスマスめっき (1.0μm以上)
 下地 : ニッケルめっき (1.0μm以上)
 TIN SILVER BISMUTH PLATING
 (1.0 MICROMETER MINIMUM)
 UNDER PLATE : NICKEL PLATING
 (1.0 MICROMETER MINIMUM)
 金具 FITTING NAIL
 錫めっき (1.0μm以上)
 下地 : ニッケルめっき (1.0μm以上)
 TIN PLATING
 (1.0 MICROMETER MINIMUM)
 UNDER PLATE : NICKEL PLATING
 (1.0 MICROMETER MINIMUM)
- △3 ソルダーテール半田付け面のズレ量、及び金具半田付け面のズレ量は、基準面 G に対し上方向0.05MAXIMUM、下方向0.15MAXIMUMとする。
 MISALIGNMENT OF SOLDER TAILS AND FITTING NAILS FROM DATUM-G UPPER DIRECTION : 0.05MAXIMUM
 LOWER DIRECTION 0.15MAXIMUM.
- △4 偶数極に適用
 APPLY FOR EVEN CIRCUIT
- △5 パターンはくり止めよう金具
 FITTING NAIL FOR PREVENTION OF PEELING OF P.C.B PATTERN.
- △6 R0.3はFPCの導体部にかからないこと
 R0.3 MUST NOT BE OVERLAPED TO PATTERN OF FPC.
7. ソルダーテールの平坦度は、0.12 MAXIMUMとする。
 SOLDER TAIL COPLANARITY IS 0.12 MAXIMUM.

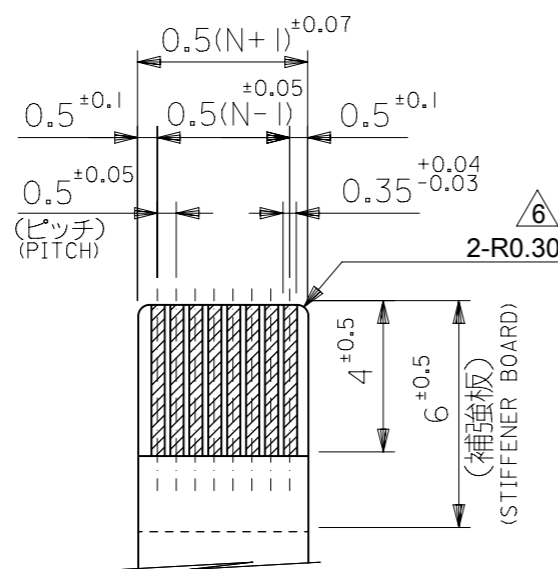


THIS DRAWING CONTAINS INFORMATION THAT IS PROPRIETARY TO MOLEX ELECTRONIC TECHNOLOGIES, LLC AND SHOULD NOT BE USED WITHOUT WRITTEN PERMISSION		CURRENT REV DESC: REVISED		molex	
DIMENSION UNITS	SCALE				
mm	8:1			EMBOSS TAPE PACKAGED FOR 0.5MM FPC CONN ZIF/ S/T HOUSING ASSY	
GENERAL TOLERANCES (UNLESS SPECIFIED)		EC NO: 621409		PRODUCT CUSTOMER DRAWING	
ANGULAR TOL	± 3.0°	DRWN: ABABU01	2019/07/25	DOCUMENT NUMBER	
4 PLACES	± 0.2	CHK'D: MSASAO	2019/07/31	DOC TYPE DOC PART REVISION	
3 PLACES	± 0.2	APPR: RTAKEUCHI	2019/07/31	SD-52559-059	
2 PLACES	± 0.2	INITIAL REVISION:		PSD 001 D	
1 PLACE	± 0.25	DRWN: NASANUMA	2013/02/23	MATERIAL NUMBER	
0 PLACES	± 0.3	APPR: KMORIKAWA	2013/03/15	CUSTOMER	
DRAFT WHERE APPLICABLE MUST REMAIN WITHIN DIMENSIONS		THIRD ANGLE PROJECTION	DRAWING	SERIES	SHEET NUMBER
			A3-SIZE	52559	1 OF 5



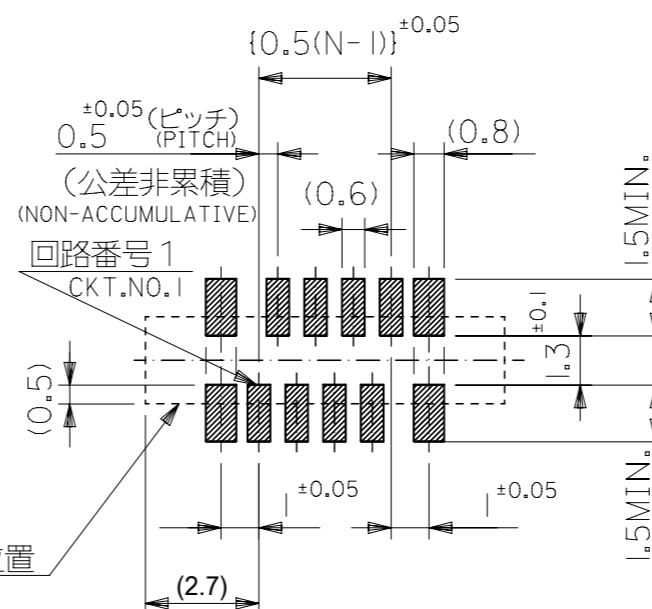
適合FFC推奨寸法
APPLICABLE FFC
RECOMMENDED DIMENSION.

(仕上がり厚さ: 0.3±0.05)
(THICKNESS: 0.3±0.05)



適合FPC推奨寸法
APPLICABLE FPC
RECOMMENDED DIMENSION.

(仕上がり厚さ: 0.3±0.05)
(THICKNESS: 0.3±0.05)

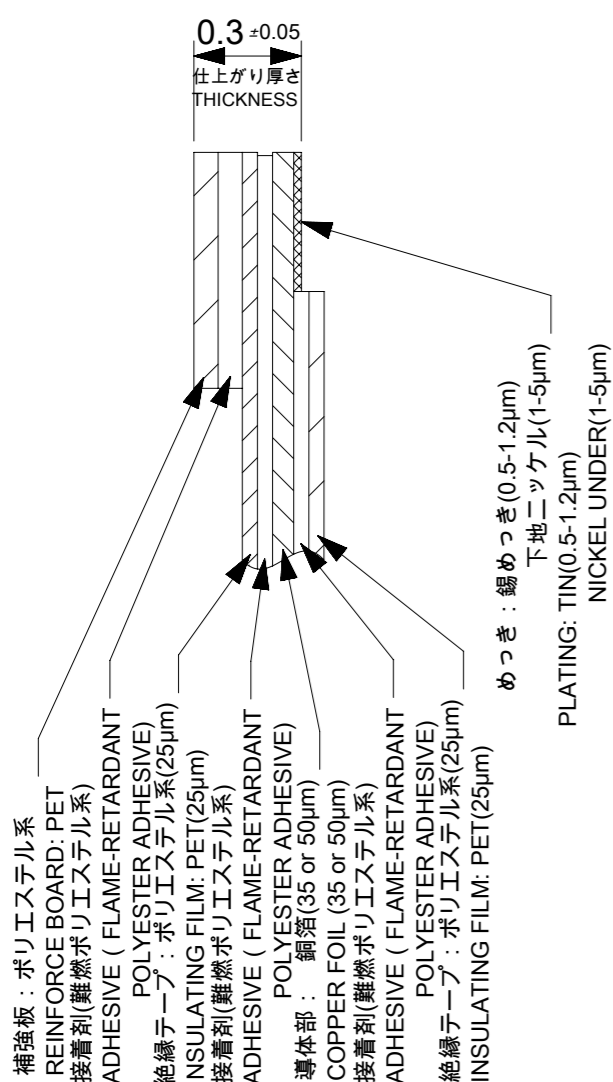


コネクタ位置
CONNECTOR
POSITION

推奨基板レイアウト
(マウンド面)

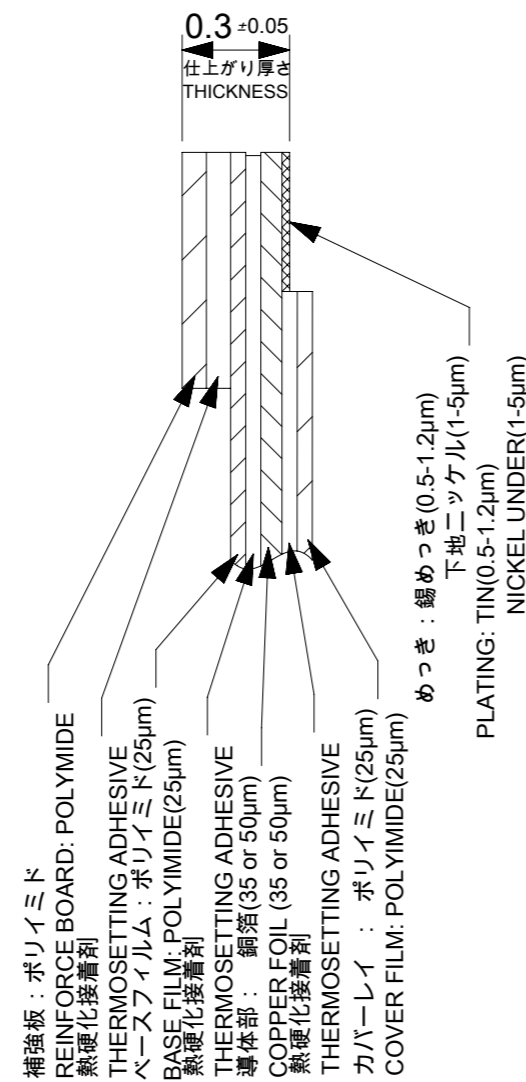
RECOMMENDED P.C. BOARD
PATTERN DIMENSION
(MOUNTING SIDE)

マスク厚 : 150µm
マスク開口率 : 100%
SCREEN THICKNESS : 150µm
SCREEN OPEN RATIO : 100%



FFC構成推奨仕様

RECOMMENDED STRUCTURE OF FFC



FPC構成推奨仕様

RECOMMENDED STRUCTURE OF FPC

FPC/FFCについて:

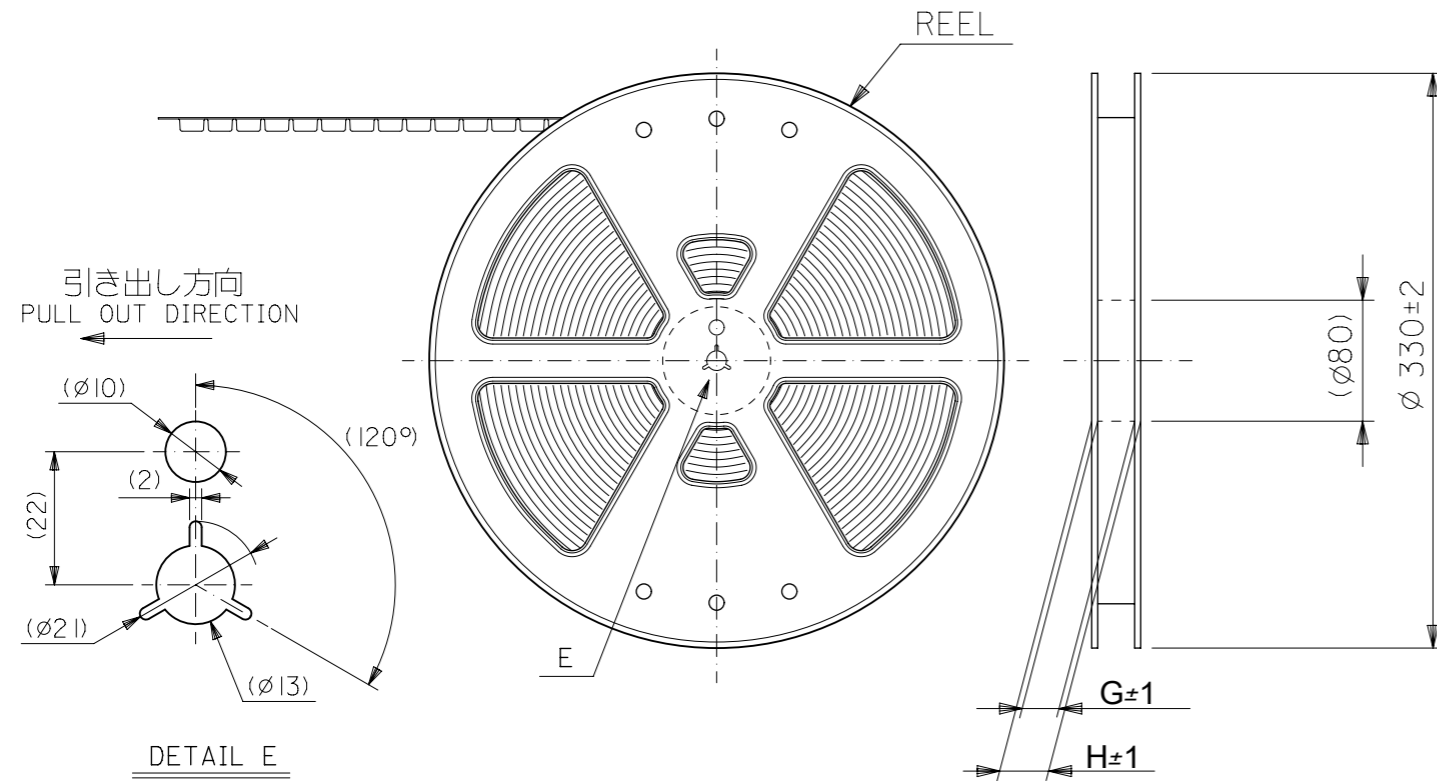
抜き方向は、導体側から補強板側を推奨致します。
尚、接着剤の接点部への付着は導通不良の原因になりますので、
染み出しが無い様お願い致します。

ABOUT FPC/FFC:

RECOMMENDED PUNCHER DIRECTION:
FROM CONDUCTOR SIDE TO STIFFNER SIDE
PLEASE PUT APPROPRIATE AMOUNT OF ADHESIVE ON ADHEREND
BECAUSE THERE IS A POSSIBILITY THAT THE EXTRA ADHESIVE
CAUSES THE DEFECT IN ELECTRICAL CONTINUITY.

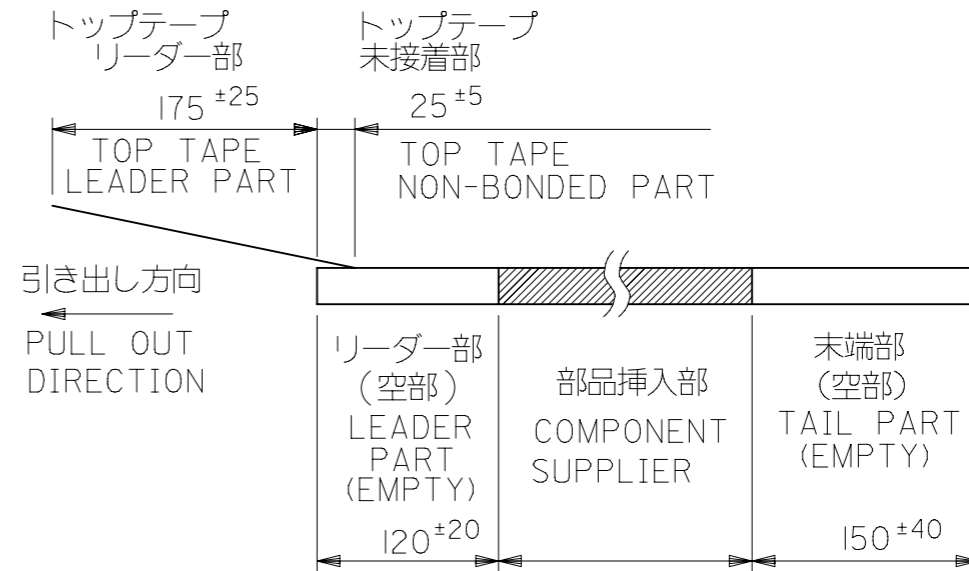
22.2	21.4	17.15	16.0	52559-3334	33
19.7	18.9	14.65	13.5	52559-2834	28
18.2	17.4	13.15	12.0	52559-2534	25
17.7	16.9	12.65	11.5	52559-2434	24
16.7	15.9	11.65	10.5	52559-2234	22
15.7	14.9	10.65	9.5	52559-2034	20
14.7	13.9	9.65	8.5	52559-1834	18
13.7	12.9	8.65	7.5	52559-1634	16
12.7	11.9	7.65	6.5	52559-1434	14
12.2	11.4	7.15	6.0	52559-1334	13
9.7	8.9	4.65	3.5	52559-0834	8
D	C	B	(A)	ORDER No.	極数 CKT.

THIS DRAWING CONTAINS INFORMATION THAT IS PROPRIETARY TO MOLEX ELECTRONIC TECHNOLOGIES, LLC AND SHOULD NOT BE USED WITHOUT WRITTEN PERMISSION									
DIMENSION UNITS		SCALE		CURRENT REV DESC: REVISED					
mm		5:1							
GENERAL TOLERANCES (UNLESS SPECIFIED)									
ANGULAR TOL ± 3.0°									
4 PLACES ± 0.2									
3 PLACES ± 0.2									
2 PLACES ± 0.2									
1 PLACE ± 0.25									
0 PLACES ± 0.3									
DRAFT WHERE APPLICABLE MUST REMAIN WITHIN DIMENSIONS									
THIRD ANGLE PROJECTION		DRAWING		SERIES		MATERIAL NUMBER		CUSTOMER	
A3-SIZE		52559		SEE TABLE		GENERAL MARKET		SHEET NUMBER	
2 OF 5									



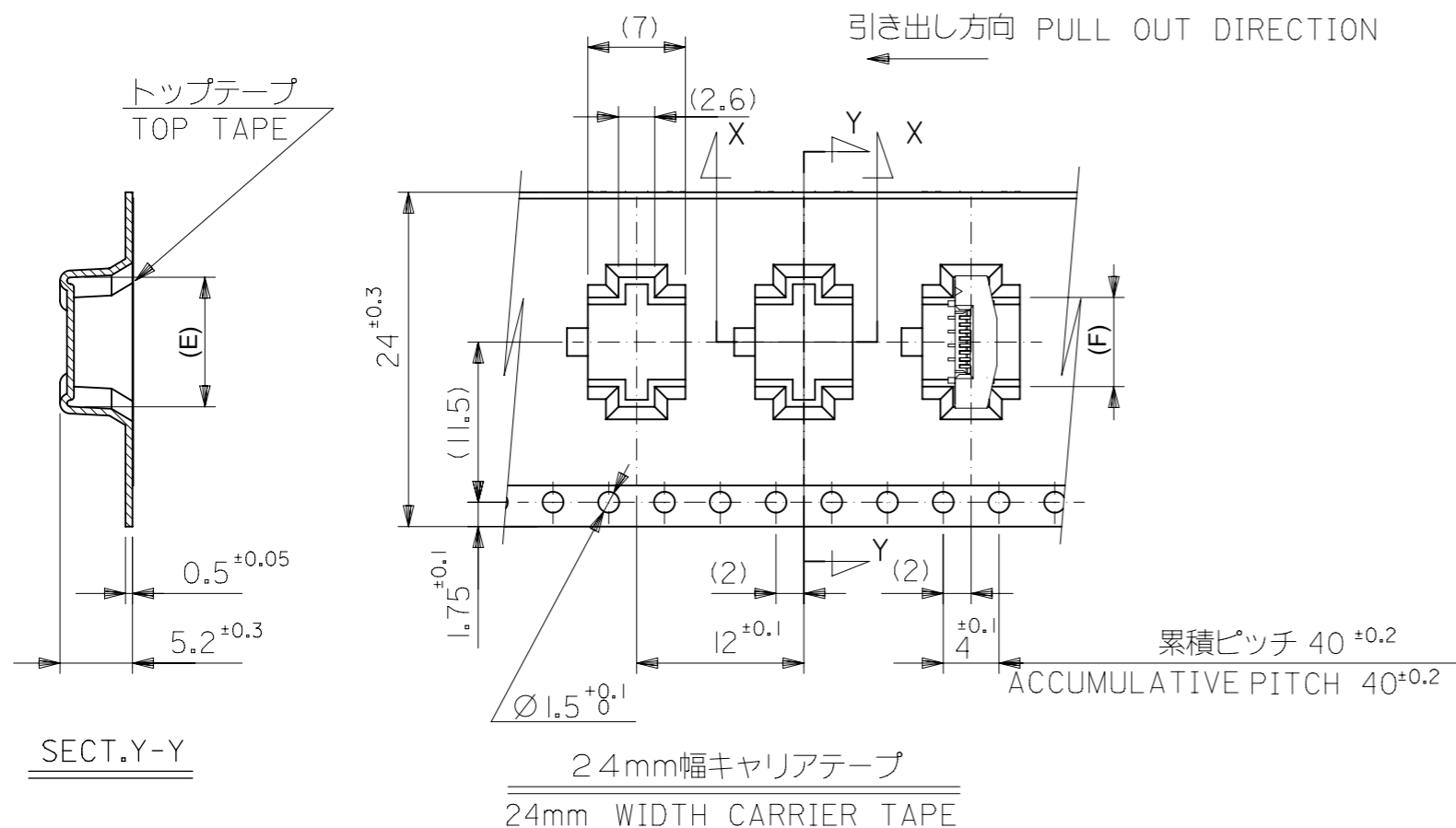
注記 NOTES

1. 梱包状態はアクチュエータがロックした状態とする。
IN THE PACKAGE, ACTUATOR SHOULD BE LOCKED.
2. 梱包数量：1000個/リール
NUMBER OF CONNECTORS:1000PCS/REEL
3. リードテープ長さ LEAD TAPE LENGTH



4. トップテープの剥離強度については、IEC60286-3に準拠
TOP TAPE PEEL FORCE IS DEFINED BY IEC60286-3.
5. 材料 キャリアテープ：ポリプロピレン (PP)
トップテープ：PET, PE, PEF
リール：ポリスチレン (PS) <リサイクル材を含む>
MATERIAL CARRIER TAPE:POLYPROPYLENE
TOP TAPE:PET,PE,PEF
REEL:POLYSTYREN(PS)
<RECYCLE MATERIAL CONTAINED>
6. 本製品は乾燥剤入り、ハイバリア梱包仕様である。
THIS PRODUCT IS HIGH BARRIER PACKAGE WITH DESICCANT.

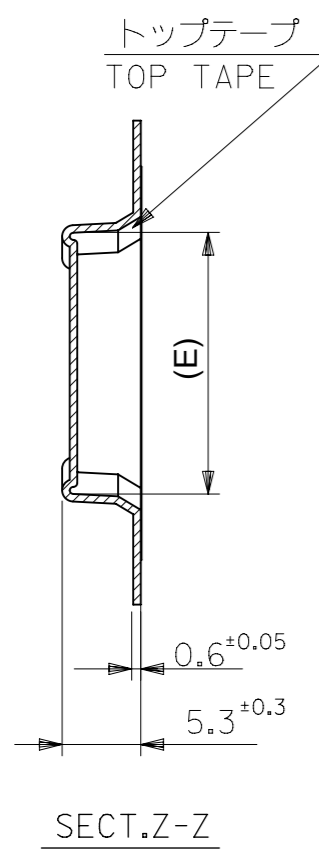
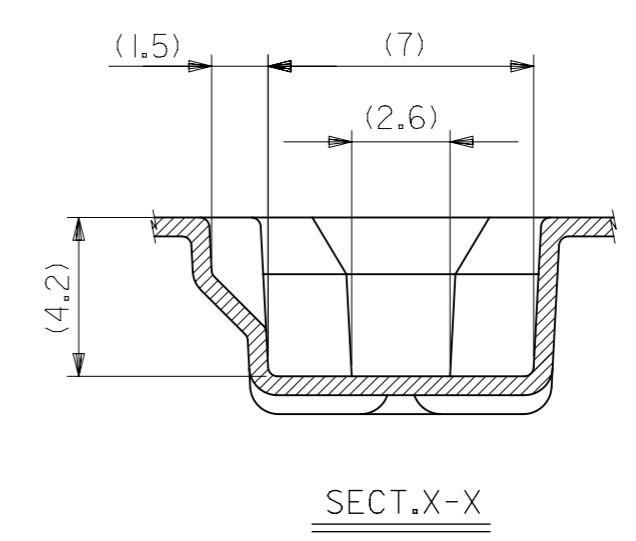
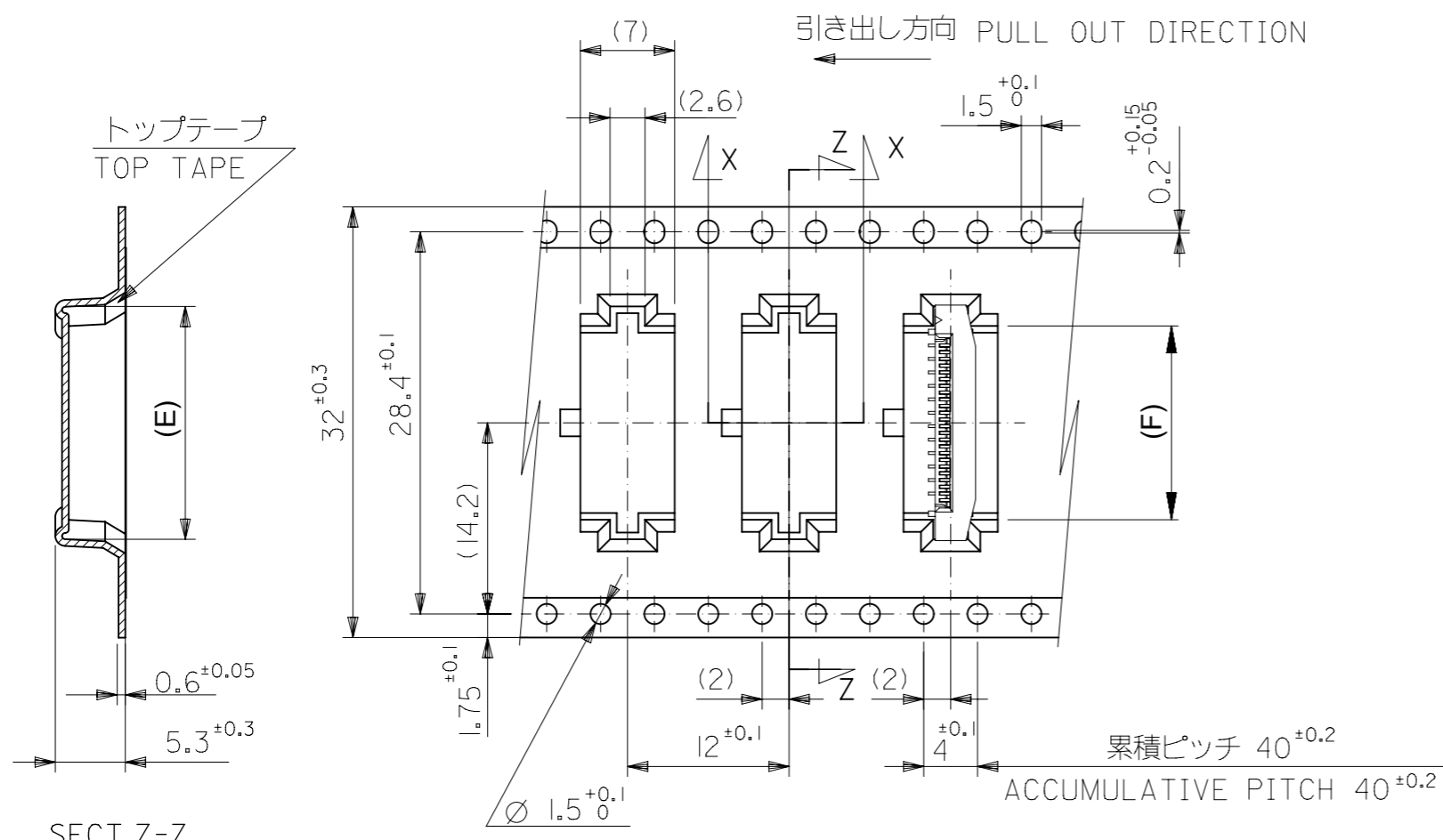
THIS DRAWING CONTAINS INFORMATION THAT IS PROPRIETARY TO MOLEX ELECTRONIC TECHNOLOGIES, LLC AND SHOULD NOT BE USED WITHOUT WRITTEN PERMISSION		CURRENT REV DESC: REVISED		molex	
DIMENSION UNITS	SCALE				
mm	±±			EMBOSS TAPE PACKAGED FOR 0.5MM FPC CONN ZIF/ S/T HOUSING ASSY	
GENERAL TOLERANCES (UNLESS SPECIFIED)		EC NO: 621409		PRODUCT CUSTOMER DRAWING	
ANGULAR TOL	± 3.0 °	DRWN: ABABU01	2019/07/25	DOCUMENT NUMBER	
4 PLACES	± 0.2	CHK'D: MSASAO	2019/07/31	SD-52559-059	
3 PLACES	± 0.2	APPR: RTAKEUCHI	2019/07/31	DOC TYPE	DOC PART
2 PLACES	± 0.2	INITIAL REVISION:		PSD	001
1 PLACE	± 0.25	DRWN: NASANUMA	2013/02/23	REVISION	
0 PLACES	± 0.3	APPR: KMORIKAWA	2013/03/15	D	
DRAFT WHERE APPLICABLE MUST REMAIN WITHIN DIMENSIONS		THIRD ANGLE PROJECTION	DRAWING	SERIES	MATERIAL NUMBER
			A3-SIZE	52559	SEE SHEET 4-5
				CUSTOMER	SHEET NUMBER
				GENERAL MARKET	3 OF 5



24	29.4	25.4	13.4	16.3	52559-2234	22		
			12.4	15.3	52559-2034	20		
			11.4	14.3	52559-1834	18		
			10.4	13.3	52559-1634	16		
			9.4	12.3	52559-1434	14		
			8.9	11.8	52559-1334	13		
			6.4	9.3	52559-0834	8		
CARRIER TAPE WIDTH			H	G	(F)	(E)	ORDER No.	CKT

THIS DRAWING CONTAINS INFORMATION THAT IS PROPRIETARY TO MOLEX ELECTRONIC TECHNOLOGIES, LLC AND SHOULD NOT BE USED WITHOUT WRITTEN PERMISSION

DIMENSION UNITS mm	SCALE ±±	CURRENT REV DESC: REVISED		molex		
GENERAL TOLERANCES (UNLESS SPECIFIED)		EC NO: 621409				
ANGULAR TOL ± 3.0°	4 PLACES ± 0.2	DRWN: ABABU01	2019/07/25	PRODUCT CUSTOMER DRAWING		
3 PLACES ± 0.2	2 PLACES ± 0.2	CHK'D: MSASAO	2019/07/31	DOCUMENT NUMBER		
1 PLACE ± 0.25	0 PLACES ± 0.3	APPR: RTAKEUCHI	2019/07/31	SD-52559-059		
DRAFT WHERE APPLICABLE MUST REMAIN WITHIN DIMENSIONS	THIRD ANGLE PROJECTION	INITIAL REVISION:	DRWN: NASANUMA	2013/02/23	DOC TYPE	DOC PART
		APPR: KMORIKAWA	2013/03/15	PSD	001	REVISION
				GENERAL MARKET		D
				SEE TABLE		4 OF 5



32mm幅キャリアテープ
32mm WIDTH CARRIER TAPE

32	37.4	33.4	18.9	21.8	52559-3334	33		
			16.4	19.3	52559-2834	28		
			14.9	17.8	52559-2534	25		
			14.4	17.3	52559-2434	24		
CARRIER TAPE WIDTH			H	G	(F)	(E)	ORDER No.	CKT

THIS DRAWING CONTAINS INFORMATION THAT IS PROPRIETARY TO MOLEX ELECTRONIC TECHNOLOGIES, LLC AND SHOULD NOT BE USED WITHOUT WRITTEN PERMISSION

DIMENSION UNITS mm	SCALE ±±	CURRENT REV DESC: REVISED		molex		
GENERAL TOLERANCES (UNLESS SPECIFIED)		EC NO: 621409				
ANGULAR TOL	± 3.0 °	DRWN: ABABU01 2019/07/25		PRODUCT CUSTOMER DRAWING		
4 PLACES	± 0.2	CHK'D: MSASAO 2019/07/31		DOCUMENT NUMBER		
3 PLACES	± 0.2	APPR: RTAKEUCHI 2019/07/31		SD-52559-059		
2 PLACES	± 0.2	INITIAL REVISION:		DOC TYPE	DOC PART	REVISION
1 PLACE	± 0.25	DRWN: NASANUMA 2013/02/23		PSD	001	D
0 PLACES	± 0.3	APPR: KMORIKAWA 2013/03/15		SHEET NUMBER		
DRAFT WHERE APPLICABLE MUST REMAIN WITHIN DIMENSIONS		THIRD ANGLE PROJECTION	DRAWING	SERIES	MATERIAL NUMBER	CUSTOMER
			A3-SIZE	52559	SEE TABLE	GENERAL MARKET