

MATERIALS AND FINISHES

BODY STAINLESS STEEL
PASSIVATED

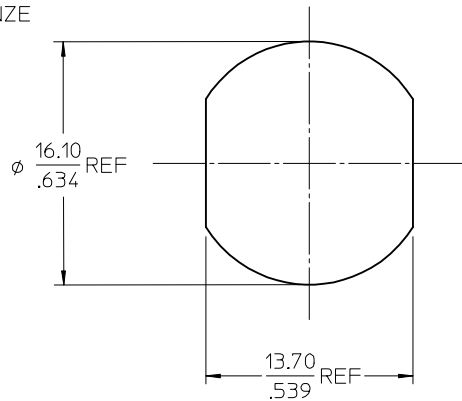
JAM NUT BRASS
PLATED NICKEL

CENTER CONTACT BERYLLIUM COPPER
PLATED GOLD

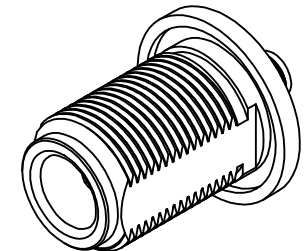
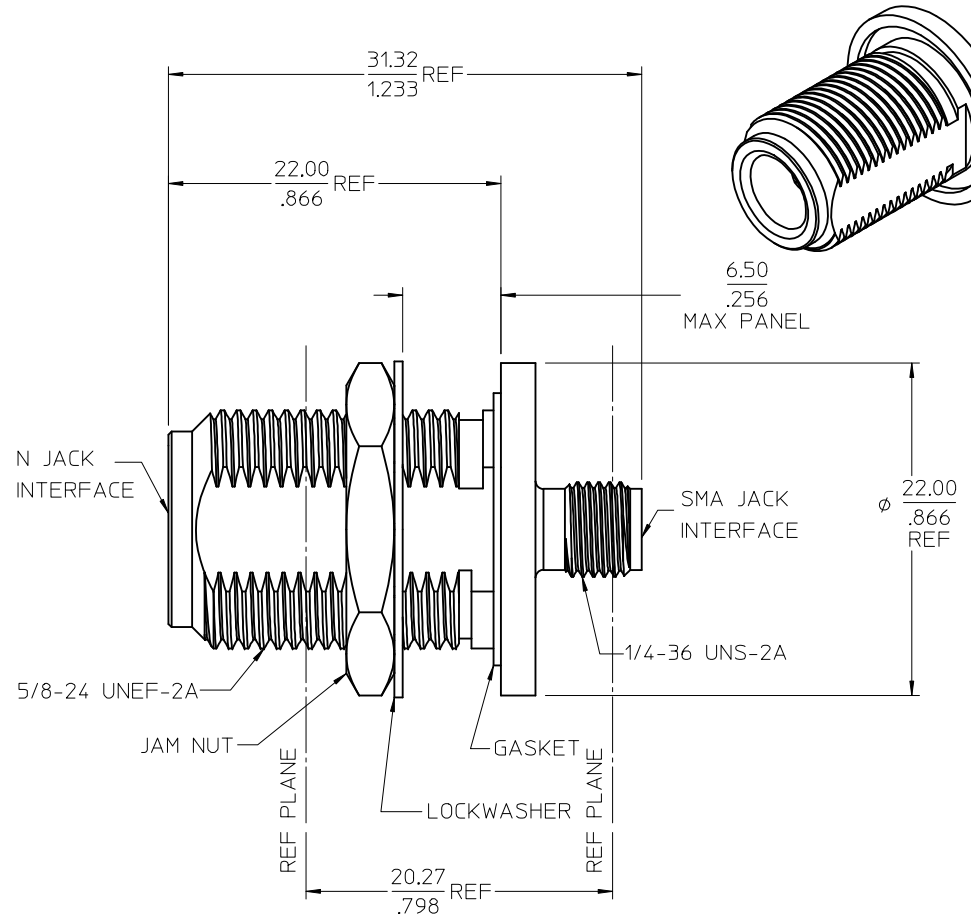
INSULATOR TEFLON

GASKET SILICONE RUBBER

LOCK WASHER PHOSPHOR BRONZE
PLATED NICKEL



RECOMMENDED
MOUNTING HOLE



MIL-STD-348A, FIG 304-2	N INTERFACE
MIL-STD-348A, FIG 310-2	SMA INTERFACE
PS-89675-2720	ELEC/MECH PERFORMANCE
SPECIFICATION	DESCRIPTION

73386-1091	73386-1090, ONE PER BAG
73386-1090	BULK
PART NO.	PACKAGING

CHG: ADDED P/N 73386-1091	EC NO: URF2007-0287	DRWN:FLAHERTY 2007/02/08	CHKD:SSHAH 2007/02/08	APPR:WIENER 2007/02/08
	DESCRIPTION			
REV: A1				

QUALITY SYMBOLS ▽=0 ▽=0	GENERAL TOLERANCES (UNLESS SPECIFIED)		DIMENSION STYLE MM/IN	SCALE	DESIGN UNITS METRIC	THIRD ANGLE PROJECTION
	4 PLACES ± .005	± .005	DRAWN BY JM	DATE 2005/08/23	TITLE BSA, N JACK BULKHEAD TO SMA JACK, 50 OHMS EWR-2892, BSA-NJ/SMAJ	
3 PLACES ± .005	± .005	CHECKED BY JM	DATE 2005/08/23	MATERIAL NO. SD-73386-109		
2 PLACES ± .005	± .005	APPROVED BY JDW	DATE 2005/08/23	DOCUMENT NO. SD-73386-109		
1 PLACE ± .005	± .005	MATERIAL NO. SEE TABLE		SHEET NO. 1 OF 1		
ANGULAR ± 2 °		DRAFT WHERE APPLICABLE MUST REMAIN WITHIN DIMENSIONS		THIS DRAWING CONTAINS INFORMATION THAT IS PROPRIETARY TO MOLEX INCORPORATED AND SHOULD NOT BE USED WITHOUT WRITTEN PERMISSION		