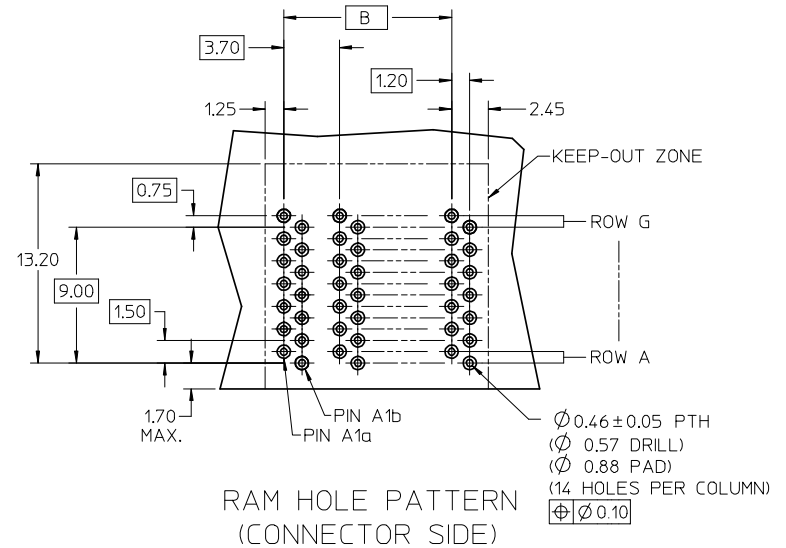
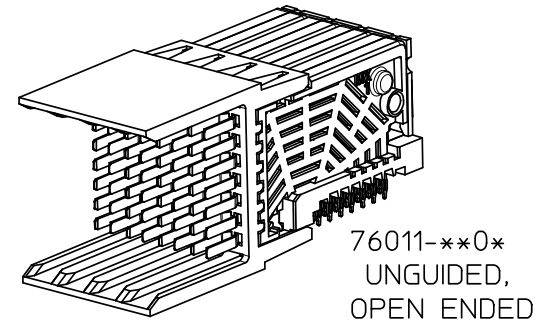
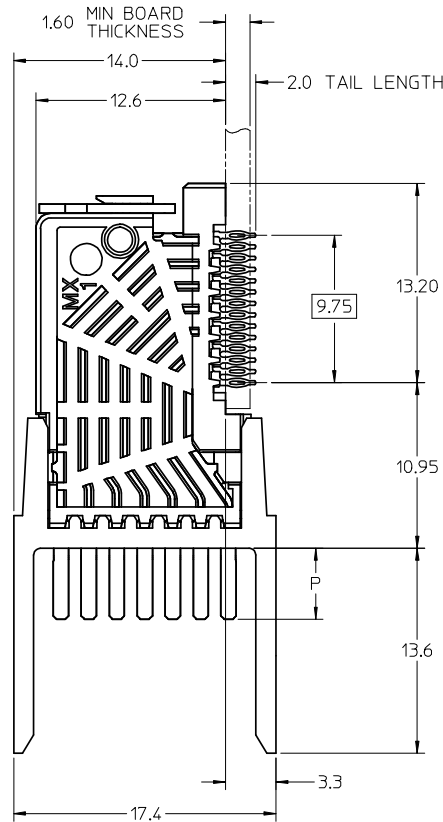
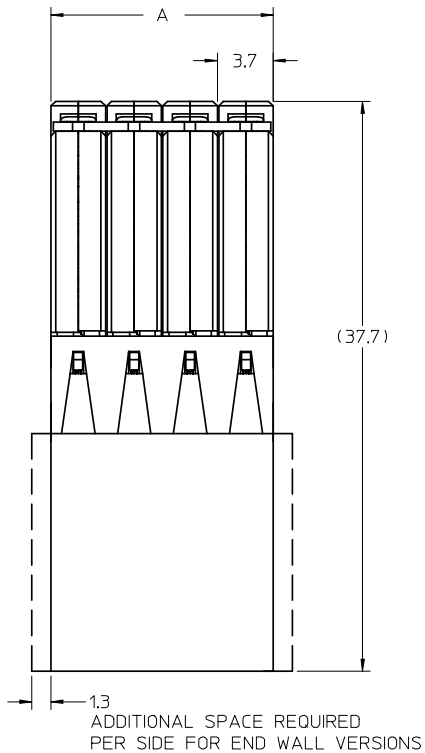
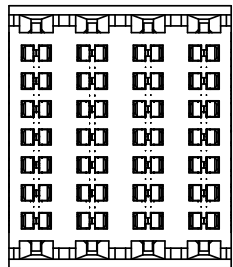


PART NUMBER	# OF COLUMNS	DIM "A" MAX	DIM "B"
76011 - *6**	6	22.20	18.50
76011 - *1**	10	37.00	33.30



NOTES:

1. MATERIALS: HOUSING - LIQUID CRYSTAL POLYMER (LCP), BLACK, UL 94V-0  
TERMINALS - HIGH PERFORMANCE COPPER ALLOY
2. FINISH: SELECTIVE 30 μ \* GOLD IN CONTACT AREA WITH LUBE.  
SELECTIVE TIN/LEAD (-0\*\*\*) OR SELECTIVE TIN (-1\*\*\*)  
ON PCB TAILS. NICKEL UNDERPLATE OVERALL.
3. MOLEX PRODUCT SPECIFICATION: PS-75710-999.
4. THIS PART CONFORMS TO CLASS B REQUIREMENTS OF COSMETIC SPEC PS-45499-002.
5. PACKAGED PER PK-70873-588.



CLARIFY ST GRD EC NO: UCP2008-2982 DRAWN: C STEWART 2008/06/11 CHKD: TELO 2008/06/11 APPR: J BINGHAM 2008/06/11	QUALITY SYMBOLS ▽=0 ▽=0	GENERAL TOLERANCES (UNLESS SPECIFIED)		DIMENSION STYLE MM ONLY		SCALE 4:1	DESIGN UNITS METRIC	THIRD ANGLE PROJECTION
		4 PLACES ± ---	± ---	INCH	DRAWN BY ELO	DATE 2006/11/13	TITLE I-TRAC 7-ROW RIGHT ANGLE MALE OPEN ASSEMBLY	molex MOLEX INCORPORATED
3 PLACES ± ---	± ---		CHECKED BY	DATE				
2 PLACES ± 0.25	± ---		ELO	2007/02/02				
1 PLACE ± 0.13	± ---		APPROVED BY CBIXLER	DATE 2007/02/02				
		ANGULAR ± ---°	MATERIAL NO.	DOCUMENT NO.				
		DRAFT WHERE APPLICABLE MUST REMAIN WITHIN DIMENSIONS	SEE CHART	SD-76011-001				
			SIZE	THIS DRAWING CONTAINS INFORMATION THAT IS PROPRIETARY TO MOLEX INCORPORATED AND SHOULD NOT BE USED WITHOUT WRITTEN PERMISSION				SHEET NO. 1 OF 3

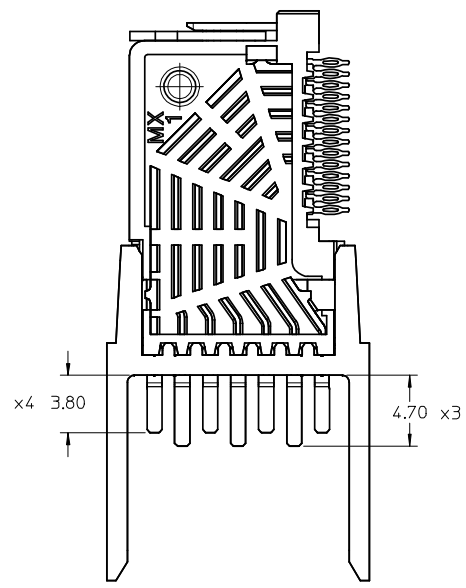
7 6 0 1 1 - \* \* \* \*

MODULE TYPE -- TAIL PLATING TYPE  
 0 = UNGUIDED - TIN/LEAD  
 1 = UNGUIDED - TIN ONLY

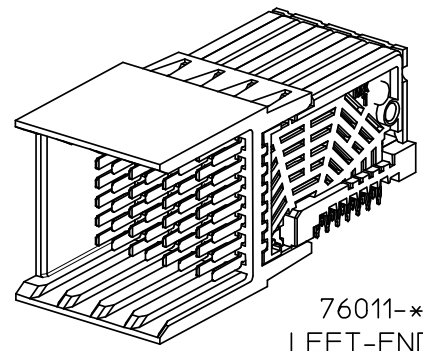
# OF COLUMNS  
 6 = 6 COL  
 1 = 10 COL

ORIENTATION  
 GUIDE POST  
 0 = OPEN ENDED  
 1 = LEFT-END WALL  
 2 = RIGHT-END WALL  
 3 = DUAL-END WALL

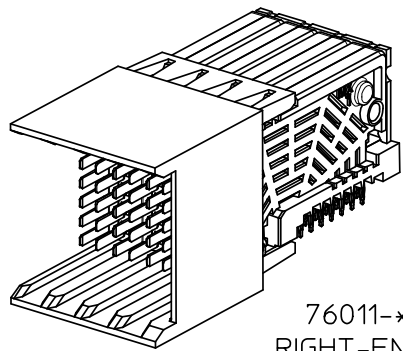
PIN LENGTH (P)  
 3 = 4.70  
 5 = 3.80, 4.70 STAGGERED



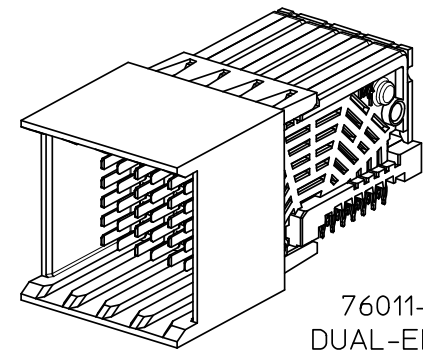
STAGGERED PIN OPTION  
(76011-\*\*\*5)



76011-\*\*1\*  
LEFT-END WALL



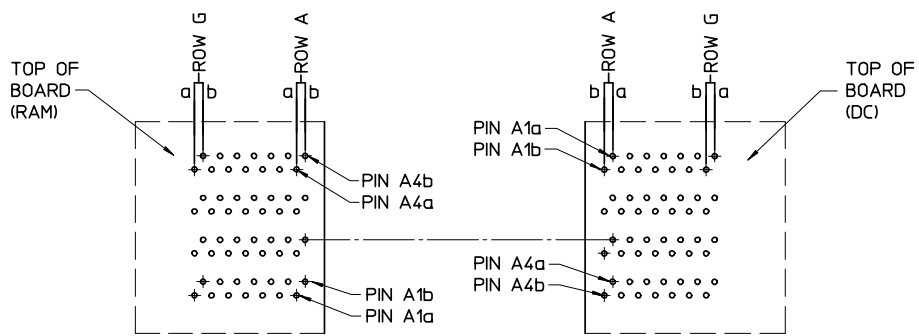
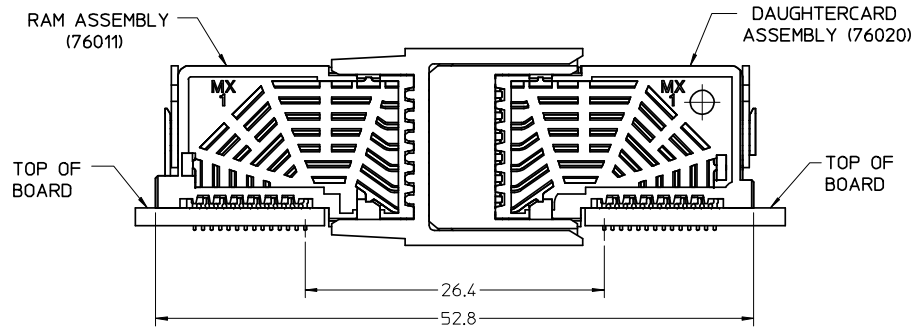
76011-\*\*2\*  
RIGHT-END WALL



76011-\*\*3\*  
DUAL-END WALL

REM OPT 76011-***6 EC NO: UCP2008-2982 DRW: C STEWART 2008/06/11 CHKD: TELO 2008/06/11 APPR: J B INGHAM 2008/06/11	QUALITY SYMBOLS ▽=0 ▽=0	GENERAL TOLERANCES (UNLESS SPECIFIED)		DIMENSION STYLE <b>MM ONLY</b>		SCALE <b>4:1</b>	DESIGN UNITS <b>METRIC</b>	THIRD ANGLE PROJECTION														
		<table border="1"> <tr> <th></th> <th>mm</th> <th>INCH</th> </tr> <tr> <td>4 PLACES</td> <td>± ---</td> <td>± ---</td> </tr> <tr> <td>3 PLACES</td> <td>± ---</td> <td>± ---</td> </tr> <tr> <td>2 PLACES</td> <td>± 0.25</td> <td>± ---</td> </tr> <tr> <td>1 PLACE</td> <td>± 0.13</td> <td>± ---</td> </tr> </table>			mm	INCH	4 PLACES	± ---	± ---	3 PLACES	± ---	± ---	2 PLACES	± 0.25	± ---	1 PLACE	± 0.13	± ---	DRAWN BY DATE ELO 2006/11/13		TITLE <b>I-TRAC 7-ROW RIGHT ANGLE MALE OPEN ASSEMBLY</b>	
			mm	INCH																		
		4 PLACES	± ---	± ---																		
3 PLACES	± ---	± ---																				
2 PLACES	± 0.25	± ---																				
1 PLACE	± 0.13	± ---																				
APPROVED BY DATE CBIXLER 2007/02/02		MATERIAL NO. <b>SEE CHART</b>		DOCUMENT NO. <b>SD-76011-001</b>																		
DRAFT WHERE APPLICABLE MUST REMAIN WITHIN DIMENSIONS		SIZE <b>C</b>		THIS DRAWING CONTAINS INFORMATION THAT IS PROPRIETARY TO MOLEX INCORPORATED AND SHOULD NOT BE USED WITHOUT WRITTEN PERMISSION		SHEET NO. <b>2 OF 3</b>																

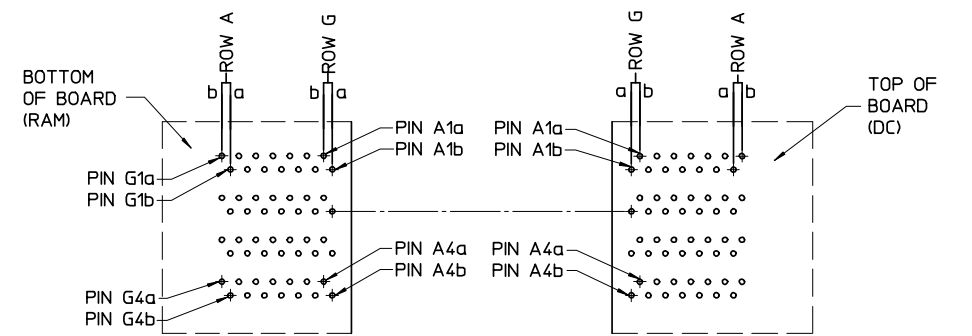
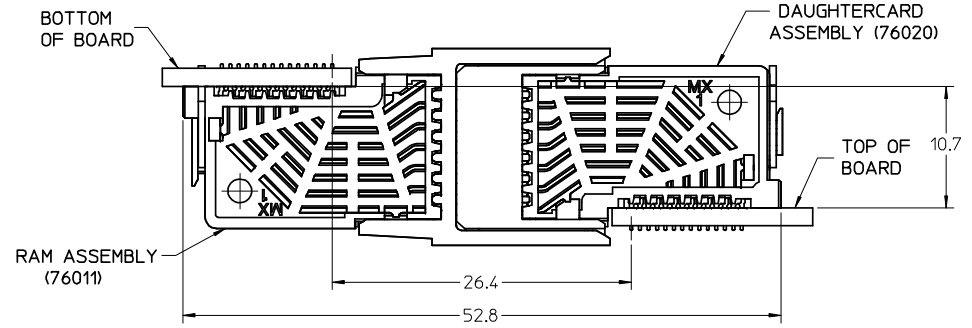
### COPLANAR APPLICATION



**COPLANAR MATED SIGNAL PATHS**

RAM PIN A4b.....	DC PIN A1a
RAM PIN A4a.....	DC PIN A1b
RAM PIN A1b.....	DC PIN A4a
RAM PIN A1a.....	DC PIN A4b

### INVERTED APPLICATION



**INVERTED MATED SIGNAL PATHS**

RAM PIN G1a.....	DC PIN A1a
RAM PIN G1b.....	DC PIN A1b
RAM PIN G4a.....	DC PIN A4a
RAM PIN G4b.....	DC PIN A4b

SEE SHEET 1 EC NO: UCP2008-2982 DRWNG: STEWART 2008/06/11 CHKD: TELO 2008/06/11 APPR: BINGHAM 2008/06/11	QUALITY SYMBOLS ▽=0 ▽=0	GENERAL TOLERANCES (UNLESS SPECIFIED) <table border="1"> <tr> <th></th> <th>mm</th> <th>INCH</th> </tr> <tr> <td>4 PLACES</td> <td>± ---</td> <td>± ---</td> </tr> <tr> <td>3 PLACES</td> <td>± ---</td> <td>± ---</td> </tr> <tr> <td>2 PLACES</td> <td>± 0.25</td> <td>± ---</td> </tr> <tr> <td>1 PLACE</td> <td>± 0.13</td> <td>± ---</td> </tr> </table>		mm	INCH	4 PLACES	± ---	± ---	3 PLACES	± ---	± ---	2 PLACES	± 0.25	± ---	1 PLACE	± 0.13	± ---	DIMENSION STYLE MM ONLY DRAWN BY DATE ELO 2006/11/13 CHECKED BY DATE ELO 2007/02/02 APPROVED BY DATE CB1XLER 2007/02/02	SCALE 4:1 DESIGN UNITS METRIC THIRD ANGLE PROJECTION	TITLE I-TRAC 7-ROW RIGHT ANGLE MALE OPEN ASSEMBLY
		mm	INCH																	
	4 PLACES	± ---	± ---																	
	3 PLACES	± ---	± ---																	
2 PLACES	± 0.25	± ---																		
1 PLACE	± 0.13	± ---																		
DRAFT WHERE APPLICABLE MUST REMAIN WITHIN DIMENSIONS	MATERIAL NO. SEE SHEET 2	DOCUMENT NO. SD-76011-001	SHEET NO. 3 OF 3																	
THIS DRAWING CONTAINS INFORMATION THAT IS PROPRIETARY TO MOLEX INCORPORATED AND SHOULD NOT BE USED WITHOUT WRITTEN PERMISSION																				
MOLEX INCORPORATED																				