

注記

NOTE

- ①. 材質および仕上げ(めっき仕様) : TABLE1 参照
MATERIAL AND FINISH: SEE TABLE 1
- ②. 製品仕様書 : PS-87437-001
PRODUCT SPECIFICATION : PS-87437-001
- ③. 製品取扱説明書 : 874370000-AS
APPLICATION SPECIFICATION : 874370000-AS
- ④. テール平坦度 : 0.1以下
TAIL COPLANARITY TO BE 0.1 MAX.
- ⑤. 嵌合相手 : 87439シリーズ (リセプタクルハウジング), 87421シリーズ (圧着端子)
MATE WITH 87439 SERIES (RECEPTACLE HOUSING)
AND 87421 SERIES (CRIMP TERMINAL).
- ⑥. 本製品は錫めっき品である。金めっき品は202706シリーズを参照。
THIS PRODUCT IS TIN PLATING.
FOR GOLD PLATING, REFER TO 202706 SERIES.

TABLE1

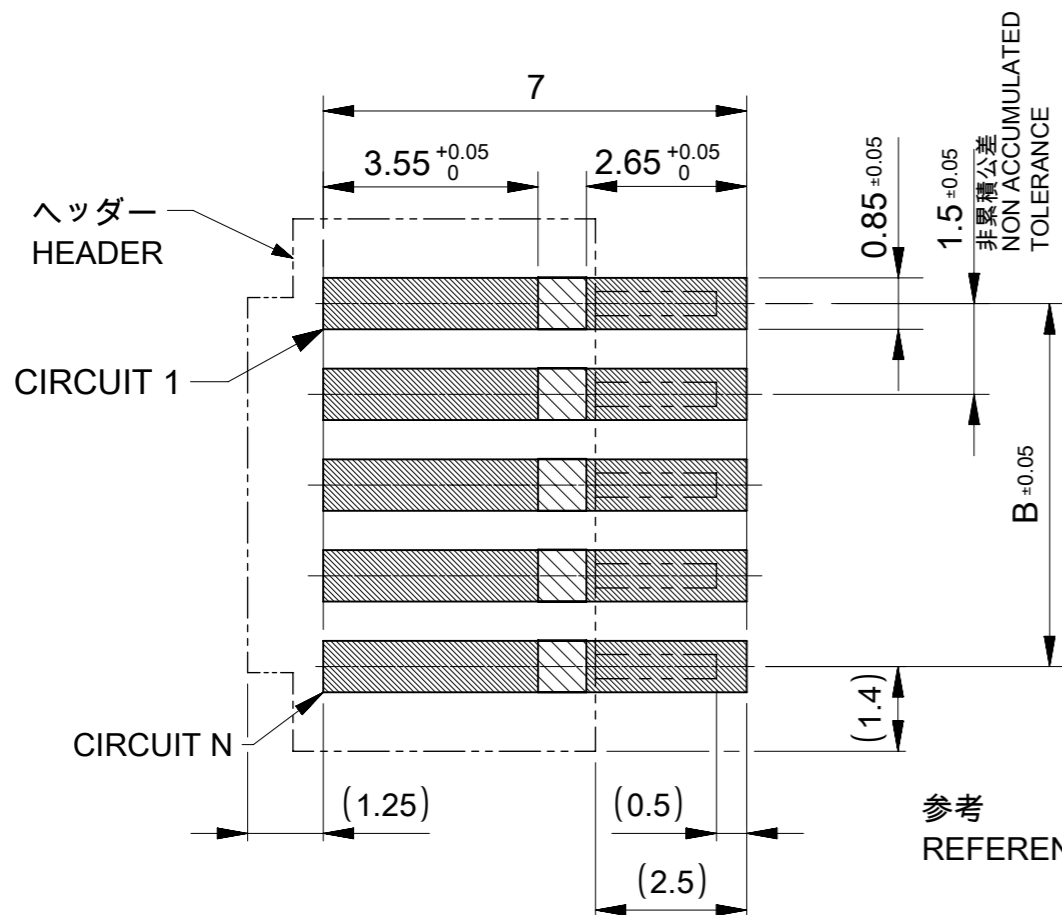
| 番号 No. | 部品 PART | 材質 MATERIAL | |
|-----------|-------------------|---|--|
| ① | ハウジング HOUSING | ナイロン, UL94-V0, 色 : 自然色(ベージュ) / 黒 NYLON (PA), UL94-V0, COLOR : NATURAL(BEIGE) / BLACK | |
| ② | ターミナル TERMINAL | 材料 MATERIAL | 黄銅 BRASS |
| | | 下地めっき UNDER PLATING | ニッケルめっき 1.27マイクロメートル以上 NICKEL PLATING 1.27micro-meter MIN |
| | | 接点部、テール CONTACT AND TAIL | 無光沢錫めっき 2.54マイクロメートル以上 MATTE TIN PLATING 2.54 micro-meter MIN |

| | | | | | |
|------|------|------|------|----------------------|--------------------|
| 21.2 | 22.8 | 21.0 | 23.8 | 87438-15*1 | 15 |
| 19.7 | 21.3 | 19.5 | 22.3 | 87438-14*1 | 14 |
| 18.2 | 19.8 | 18.0 | 20.8 | 87438-13*1 | 13 |
| 16.7 | 18.3 | 16.5 | 19.3 | 87438-12*1 | 12 |
| 15.2 | 16.8 | 15.0 | 17.8 | 87438-11*1 | 11 |
| 13.7 | 15.3 | 13.5 | 16.3 | 87438-10*1 | 10 |
| 12.2 | 13.8 | 12.0 | 14.8 | 87438-09*1 | 9 |
| 10.7 | 12.3 | 10.5 | 13.3 | 87438-08*1 | 8 |
| 9.2 | 10.8 | 9.0 | 11.8 | 87438-07*1 | 7 |
| 7.7 | 9.3 | 7.5 | 10.3 | 87438-06*1 | 6 |
| 6.2 | 7.8 | 6.0 | 8.8 | 87438-05*1 | 5 |
| 4.7 | 6.3 | 4.5 | 7.3 | 87438-04*1 | 4 |
| 3.2 | 4.8 | 3.0 | 5.8 | 87438-03*1 | 3 |
| 1.7 | 3.3 | 1.5 | 4.3 | 87438-02*1 | 2 |
| D | C | B | A | ヘッダー番号 HEADER NO. | 極数 CIRCUIT SIZE |


THIS DRAWING CONTAINS INFORMATION THAT IS PROPRIETARY TO MOLEX ELECTRONIC TECHNOLOGIES, LLC AND SHOULD NOT BE USED WITHOUT WRITTEN PERMISSION

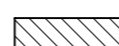
| | | | | | |
|--|--------------|---------------------------|-----------------|--------------------------|--------------|
| DIMENSION UNITS mm | SCALE NTS | CURRENT REV DESC: REVISED | | molex | |
| GENERAL TOLERANCES (UNLESS SPECIFIED) | | EC NO: 699885 | | | |
| ANGULAR TOL | ± 3.0° | 4 PLACES | ± 0.2 | DRWN: RTANAKA02 | 2022/03/14 |
| 3 PLACES | ± 0.2 | CH'D: SAKIYAMA | 2022/09/30 | PRODUCT CUSTOMER DRAWING | |
| 2 PLACES | ± 0.2 | APPR: AIDA | 2022/09/30 | DOCUMENT NUMBER | |
| 1 PLACE | ± 0.2 | INITIAL REVISION: | | DOC TYPE | |
| 0 PLACES | ± 0.2 | DRWN: RTANAKA02 | 2018/12/06 | DOC PART | |
| DRAFT WHERE APPLICABLE MUST REMAIN WITHIN DIMENSIONS | | APPR: SAKIYAMA | 2019/04/26 | REVISION | |
| THIRD ANGLE PROJECTION | DRAWING | SERIES | MATERIAL NUMBER | CUSTOMER | SHEET NUMBER |
| | A3-SIZE | 87438 | SEE SHEET 3 | GENERAL | 1 OF 3 |

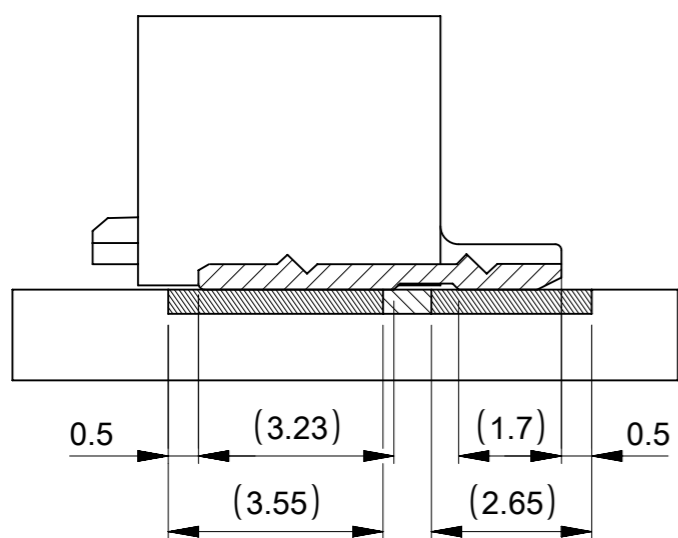
推奨基板レイアウト RECOMMENDED PCB LAYOUT



参考 : 基板厚 1.0mm
 REFERENCE : PCB THICKNESS 1.0mm
 メタルマスク厚 0.12mm
 STENCIL THICKNESS 0.12mm
 マスク開口率100%
 APERTURE RATIO 100%.

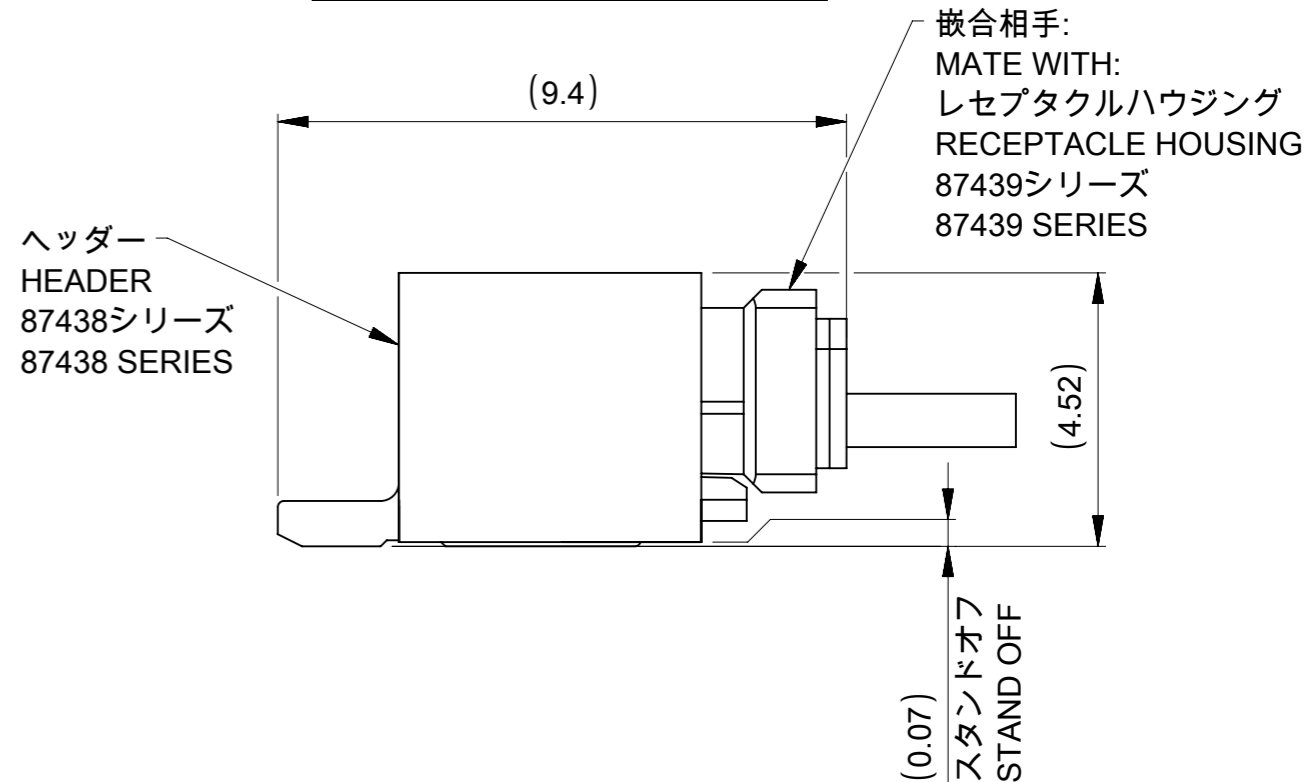
 : 半田エリア (パターンエリア)
 SOLDER AREA (COPPER ZONE)

 : 半田禁止エリア (パターン禁止エリア)
 SOLDER KEEP OUT AREA (NO-COPPER ZONE)
 半田上がりを防ぐため。
 TO PREVENT SOLDER LIFTING.
 レジストによって分離する場合は、パターン面よりも盛り上がらないこと。
 IF APPLY RESIST IN THIS AREA, LEVEL AS PATTERN AREA FACE.



SECTION Z-Z

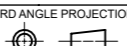
5 嵌合図 MATED CONNECTORS



嵌合相手:
 MATE WITH:
 レセプタクルハウジング
 RECEPTACLE HOUSING
 87439シリーズ
 87439 SERIES

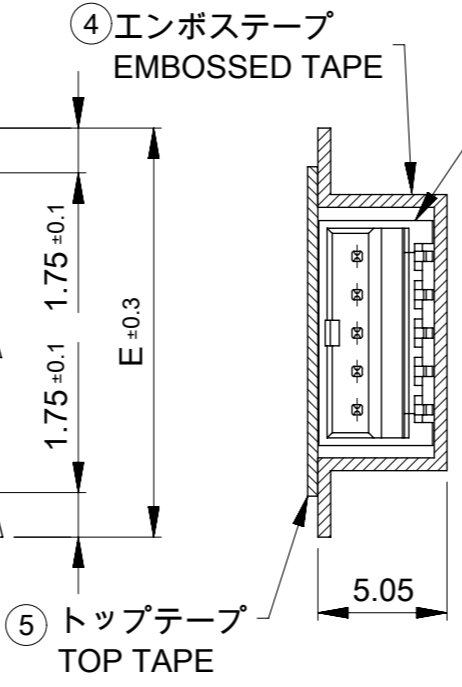
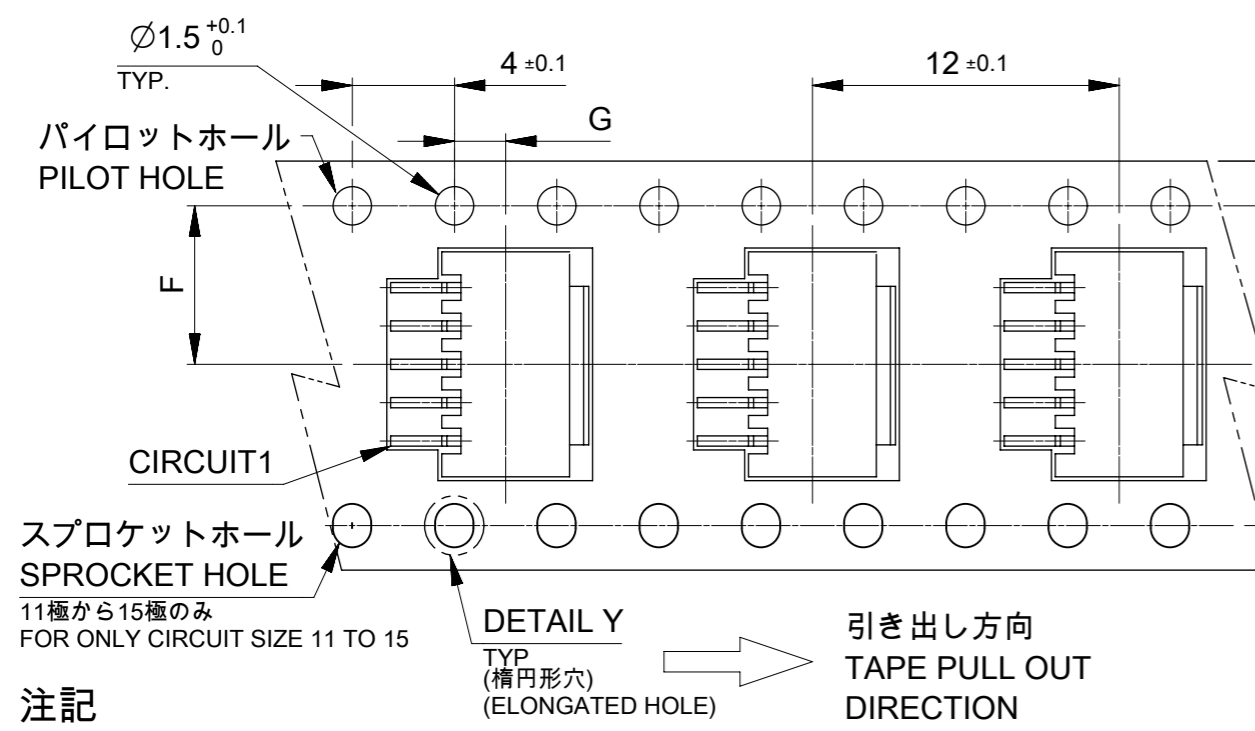
ヘッダー
 HEADER
 87438シリーズ
 87438 SERIES

(0.07)
 スタンドオフ
 STAND OFF

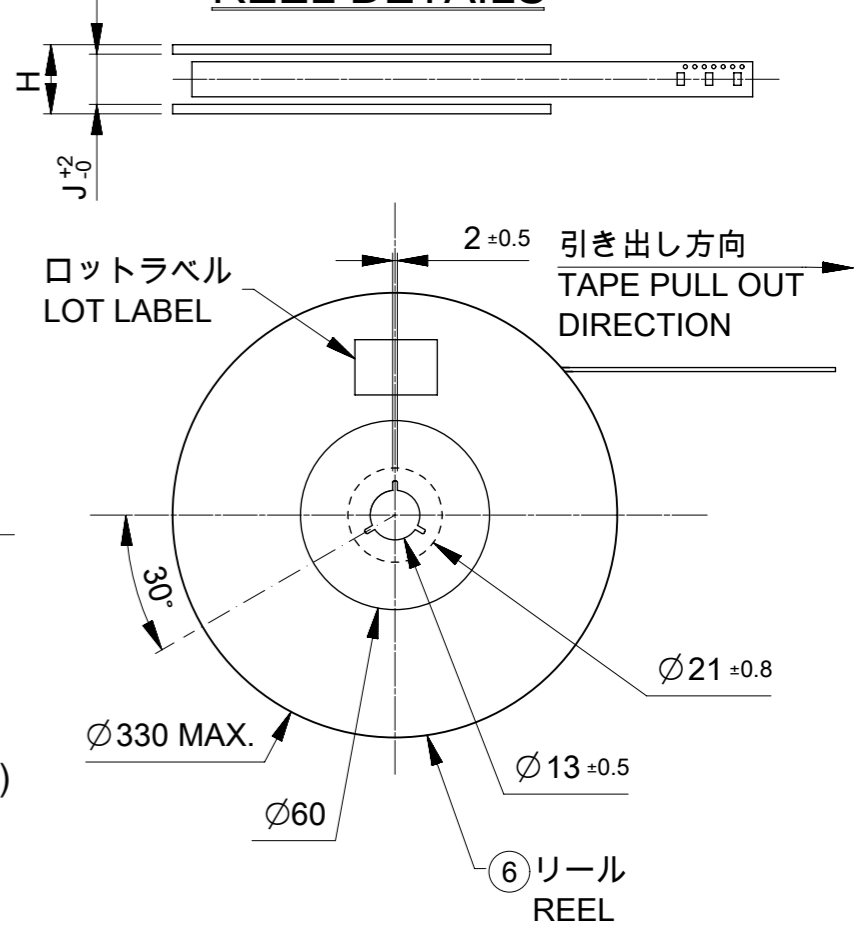
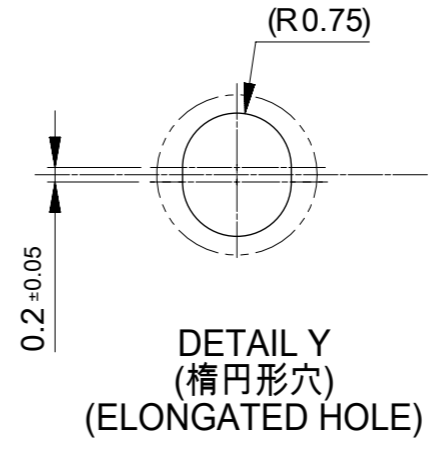
| | | | | | | | | | | | |
|---|--|-------|--|---|--|------------|--|-------------------|--|--|--|
| THIS DRAWING CONTAINS INFORMATION THAT IS PROPRIETARY TO MOLEX ELECTRONIC TECHNOLOGIES, LLC AND SHOULD NOT BE USED WITHOUT WRITTEN PERMISSION | | | | | | | | | | | |
| DIMENSION UNITS | | SCALE | | CURRENT REV DESC: REVISED | | | | molex | | PICO-SPOX 1.5 W/B CONN R/A HEADER ASSY (SMT TIN PLATING VERSION) | |
| mm | | NTS | | | | | | | | | |
| GENERAL TOLERANCES (UNLESS SPECIFIED) | | | | | | | | | | PRODUCT CUSTOMER DRAWING | |
| ANGULAR TOL ± 3.0° | | | | | | | | | | | |
| 4 PLACES | | ± 0.2 | | EC NO: 699885 | | 2022/03/14 | | DOCUMENT NUMBER | | DOC TYPE DOC PART REVISION | |
| 3 PLACES | | ± 0.2 | | DRWN: RTANAKA02 | | 2022/09/30 | | | | | |
| 2 PLACES | | ± 0.2 | | CHK'D: SAKIYAMA | | 2022/09/30 | | 874380231-SD | | PSD 000 C | |
| 1 PLACE | | ± 0.2 | | APPR: AIDA | | 2022/09/30 | | INITIAL REVISION: | | | |
| 0 PLACES | | ± 0.2 | | DRWN: RTANAKA02 | | 2018/12/06 | | MATERIAL NUMBER | | CUSTOMER | |
| | | | | APPR: SAKIYAMA | | 2019/04/26 | | SEE SHEET 3 | | GENERAL | |
| DRAFT WHERE APPLICABLE MUST REMAIN WITHIN DIMENSIONS | | | | THIRD ANGLE PROJECTION | | DRAWING | | SERIES | | SHEET NUMBER | |
| | | | |  | | A3-SIZE | | 87438 | | 2 OF 3 | |

エンボス梱包 詳細 EMBOSSED CARRIER TAPE PACKING DETAILS

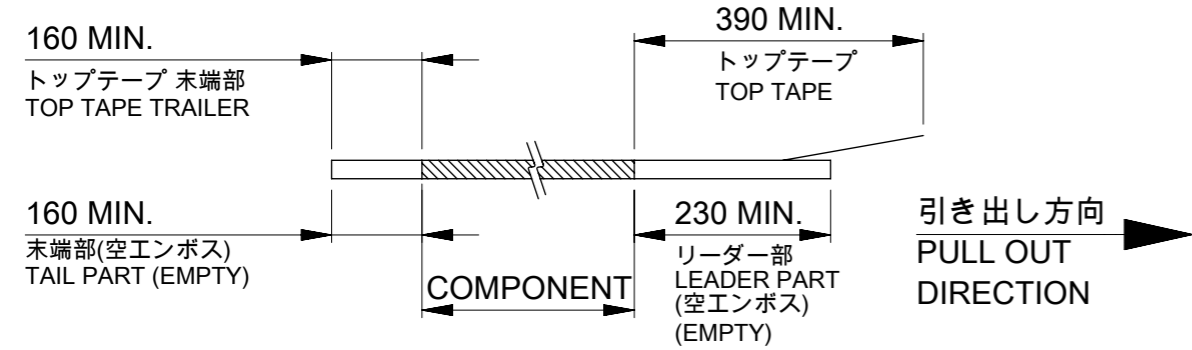
リール 詳細 REEL DETAILS



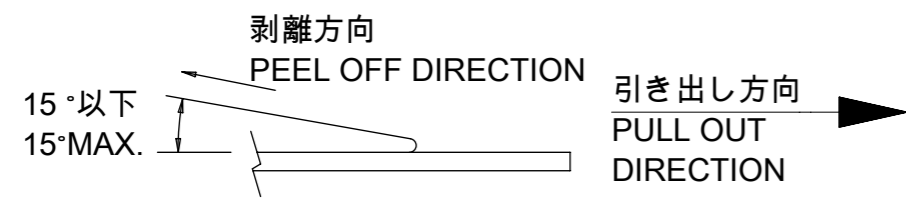
ヘッダー番号
HEADER NO.
87438-**41 (BEIGE)
87438-**61 (BLACK)



注記
NOTE
7. リーダー部および末端部テープ長さ
LEADER AND TRAILER TAPE LENGTH



8. トップテープの剥離強度：IEC60286-3に準拠。
PEELING OFF FORCE OF THE TOP TAPE: DEFINED IEC60286-3.
(剥離方向は下図を参照)
(PEELING DIRECTION AS SHOWN IN FOLLOWING FIGURE)



9. EIA-481に準拠する。
PACKAGING STANDARD IS AS PER EIA-481.
10. 梱包数量=1000個/リール
TAPE & REEL QUANTITY=1000PCS/REEL
11. 本製品は乾燥剤入りハイバリア梱包での納品となる。
THIS PRODUCT IS DELIVERED IN A HIGH BARRIER PACKAGE WITH DESICCANT.
12. 梱包仕様書：SPK-87438-001
PACKING INFORMATION：SPK-87438-001

発注番号
ORDER NUMBER
87438- * * * 3

| | |
|----------------------|---------------------------|
| 極数 CIRCUIT SIZE | ハウジングカラー HOUSING COLOR |
| 02 から 15 02 TO 15 | 4: ベージュ BEIGE |
| | 6: 黒 BLACK |

| | | | | | |
|------|-------|--------|-----------|----|--------------------|
| 44.4 | 50.4 | 2±0.15 | 20.2±0.15 | 44 | 15 |
| | | | | | 14 |
| | | | | | 13 |
| | | | | | 12 |
| | | | | | 11 |
| | | | | | 10 |
| | | | | | 9 |
| | | | | | 8 |
| | | | | | 7 |
| | | | | | 6 |
| | | | | | 5 |
| | | | | | 4 |
| | | | | | 3 |
| | | | | | 2 |
| J | H MAX | G | F | E | 極数 CIRCUIT SIZE |

| | | | | | | | | | | |
|--|------------|----------------|---|--------------|---------------------------|--|-----------------|--|-----------------|--|
| 番号 NO. | 部品 PART | 材質 MATERIAL | THIS DRAWING CONTAINS INFORMATION THAT IS PROPRIETARY TO MOLEX ELECTRONIC TECHNOLOGIES, LLC AND SHOULD NOT BE USED WITHOUT WRITTEN PERMISSION | | CURRENT REV DESC: REVISED | | | | | |
| | | | DIMENSION UNITS mm | SCALE NTS | | | | | | |
| GENERAL TOLERANCES (UNLESS SPECIFIED) | | | EC NO: 699885 | | DRWN: RTANAKA02 | | 2022/03/14 | | | |
| ANGULAR TOL ± 3.0° | | | 4 PLACES ± 0.2 | | CHK'D: SAKIYAMA | | 2022/09/30 | | | |
| 3 PLACES ± 0.2 | | | 2 PLACES ± 0.2 | | APPR: AIDA | | 2022/09/30 | | | |
| 1 PLACE ± 0.2 | | | 0 PLACES ± 0.2 | | INITIAL REVISION: | | DOCUMENT NUMBER | | | |
| DRAFT WHERE APPLICABLE MUST REMAIN WITHIN DIMENSIONS | | | THIRD ANGLE PROJECTION | | DRAWING | | SERIES | | MATERIAL NUMBER | |
| | | | A3-SIZE | | 87438 | | 874380231-SD | | PSD 000 C | |
| | | | SEE SHEET 3 | | GENERAL | | 3 OF 3 | | | |