

THIS DRAWING IS UNPUBLISHED.

RELEASED FOR PUBLICATION

2006

© COPYRIGHT 2006 BY -

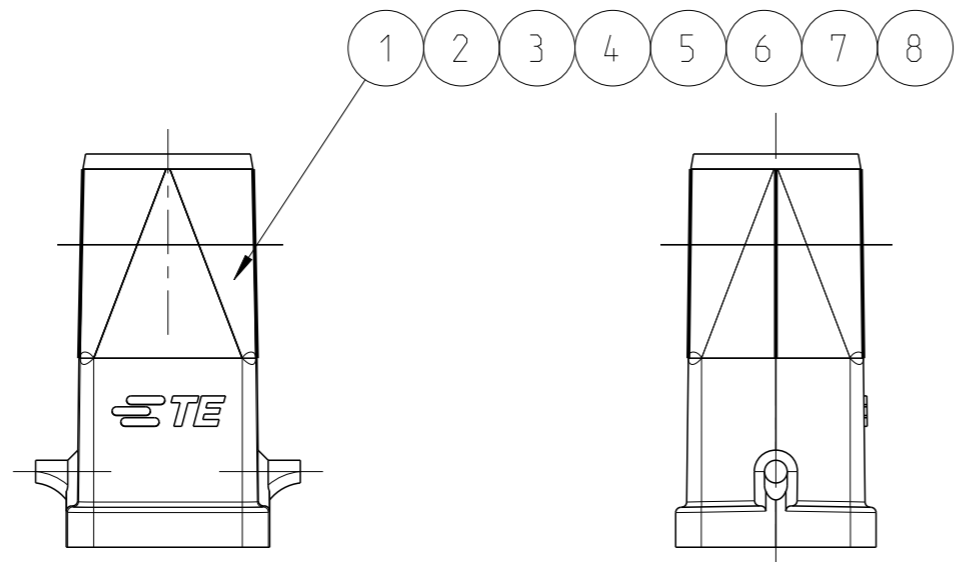
ALL RIGHTS RESERVED.

REVISIONS

P	LTR	DESCRIPTION	DATE	DWN	APVD
	A13	ECR-14-012657	08SEP2014	RK	MKO
	A14	REVISED PER ECR-17-014013	03JAN2018	SRG	MKO
	B	REVISED PER ECR-20-006023	05NOV2020	SR	MKO
	B1	ECR-21-123577	21MAR2022	RK	JB

NOTES

- 1 MATERIAL: ZINC DIECAST
- 2 COLOR: - VARNISH GREY
- VARNISH BLACK
- METALLIC SILVER
- 3 VARNISH ON THE INSIDE NOT NECESARILY
- 4 SPECIAL PACKAGING
PACKAGING QUANTITY 100 PIECES
- 5 PACKAGING QUANTITY 10 PIECES



OBSOLETE										DESCRIPTION	MATERIAL	SURFACE	COLOR	ITEM	NOTES
1										HOOD HA.3	ZINC DIECAST		BLACK	8	M20
	1									HOOD HA.3	ZINC DIECAST		WITHOUT VARNISH	7	M20
		1								HOOD HA.3	ZINC DIECAST	BLUE PASSIVATION	METALLIC SILVER	6	M20
			1							HOOD HA.3	ZINC DIECAST	BLUE PASSIVATION	BLACK	5	M16
				1						HOOD HA.3	ZINC DIECAST	BLUE PASSIVATION	WITHOUT VARNISH	4	M16
					1					HOOD HA.3	ZINC DIECAST		GREY	3	M20
						1				HOOD HA.3	ZINC DIECAST		BLACK	2	M16
							1			HOOD HA.3	ZINC DIECAST		GREY	1	M16
0-9	0-8	0-7	0-6	0-5	0-4	0-3	0-2	0-1							
										HA.3.STO.1.M16.Z		5			
										HA-K.3.STO.1.M16.Z		5			
										HA.3.STO.1.M20.Z		5			
										HA.3.STO.1.M16.Z.KM		4			
										HA-EMV.3.STO.1.M16.Z		5			
										HA-EMV-K.3.STO.1.M16.Z		5			
										HA-EMV-K.3.STO.1.M20.Z		5			
										HA-EMV.3.STO.1.M20.Z		5			
										HA-K.3.STO.1.M20.Z		5			

THIS DRAWING IS A CONTROLLED DOCUMENT.

DWN R.SCHNEIDER 09MAR2010
CHK T.SCHNURPFEL 09MAR2010
APVD -

DIMENSIONS: mm

TOLERANCES UNLESS OTHERWISE SPECIFIED:
0 PLC ±
1 PLC ±
2 PLC ±
3 PLC ±
4 PLC ±
ANGLES ±1°

MATERIAL - FINISH -

PRODUCT SPEC -
APPLICATION SPEC -
WEIGHT -

CUSTOMER DRAWING

NAME HOOD ASSY HA.3

SIZE A3 CAGE CODE 00779 DRAWING NO C-1106405 RESTRICTED TO

SCALE 5:1 SHEET 1 OF 1 REV B1