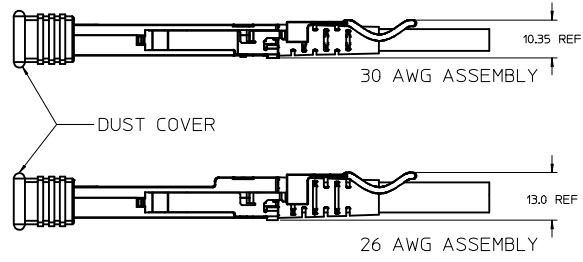


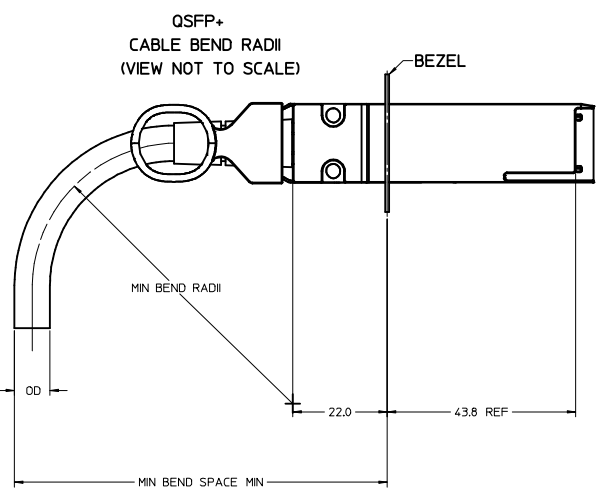
CABLE LABEL
(SEE SHEET 3 FOR DETAILS)
* FOR CABLES UNDER 2 METERS,
LABEL ON ONE END ONLY



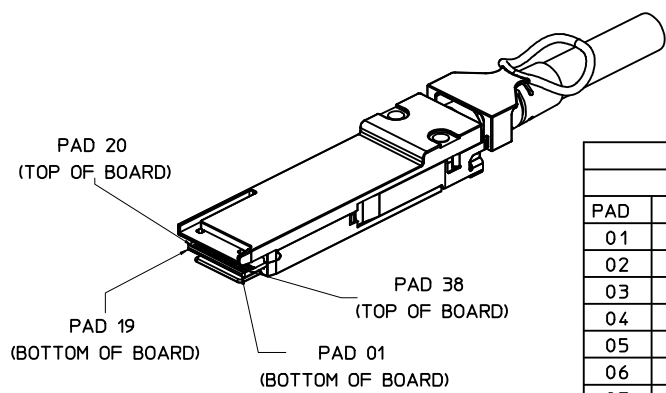
MOLEX P/N	MOLEX REV	DESCRIPTION	LENGTH	AWG
1111081101	B	QSFP+ COPPER FULLY ACTIVE 10G	1.0M ± 0.05M	30
1111081301	B	QSFP+ COPPER FULLY ACTIVE 10G	3.0M ± 0.05M	30
1111081501	B	QSFP+ COPPER FULLY ACTIVE 10G	5.0M ± 0.08M	30
1111081701	B	QSFP+ COPPER FULLY ACTIVE 10G	7.0M ± 0.08M	30
1111089001	B	QSFP+ COPPER FULLY ACTIVE 10G	10.0M ± 0.08M	26

- NOTES:
- MATERIALS:
BACKSHELLS - ZINC DIE CAST WITH BRIGHT NICKEL PLATING
DELATCH - STAINLESS STEEL WITH ZYTEL
PCB - FR4
RIVETS - STAINLESS STEEL
 - CABLE LENGTH DEPENDS ON WIRE GAUGE, DATA RATE, AND HOST BOARD DRIVER CAPABILITIES
 - IMPEDANCE - 100 OHMS DIFFERENTIAL
 - LEAD FREE, NO RoHS EXEMPTIONS.

UPDATED P/N CHART EC NO: CPG2013-0426 DRAWN BY: DRWNSWJAJA 2012/08/09 CHECKED BY: CHYKCHIRSHY 2012/08/10 APPROVED BY: APPRBRMKHAN 2012/08/20	QUALITY SYMBOLS ▽=0 ▽=0	GENERAL TOLERANCES (UNLESS SPECIFIED) mm INCH		DIMENSION STYLE MM ONLY	SCALE 1.5:1	DESIGN UNITS METRIC	THIRD ANGLE PROJECTION	
		4 PLACES ±--- ±--- 3 PLACES ±--- ±--- 2 PLACES ±--- ±--- 1 PLACE ±0.25 ±--- ANGULAR ±---°	DRAWN BY: BCHEN06_USY 2010/09/14 CHECKED BY: DATE K LLOYD 2010/09/14 APPROVED BY: DATE RMAHMOOD 2010/11/23	TITLE QSFP+ 10G ACTIVE COPPER PATCH CABLE ASSEMBLY		MOLEX INCORPORATED		MATERIAL NO. SEE CHART
DRAFT WHERE APPLICABLE MUST REMAIN WITHIN DIMENSIONS		SIZE D		THIS DRAWING CONTAINS INFORMATION THAT IS PROPRIETARY TO MOLEX INCORPORATED AND SHOULD NOT BE USED WITHOUT WRITTEN PERMISSION				SHEET NO. 1 OF 4



CABLE AWG	OD	MINIMUM BEND SPACE	MINIMUM BEND RADII (STATIC)
26	8.78+/-0.4mm	70.29mm	43.9mm
30	6.47+/-0.4mm	57.58mm	32.35mm

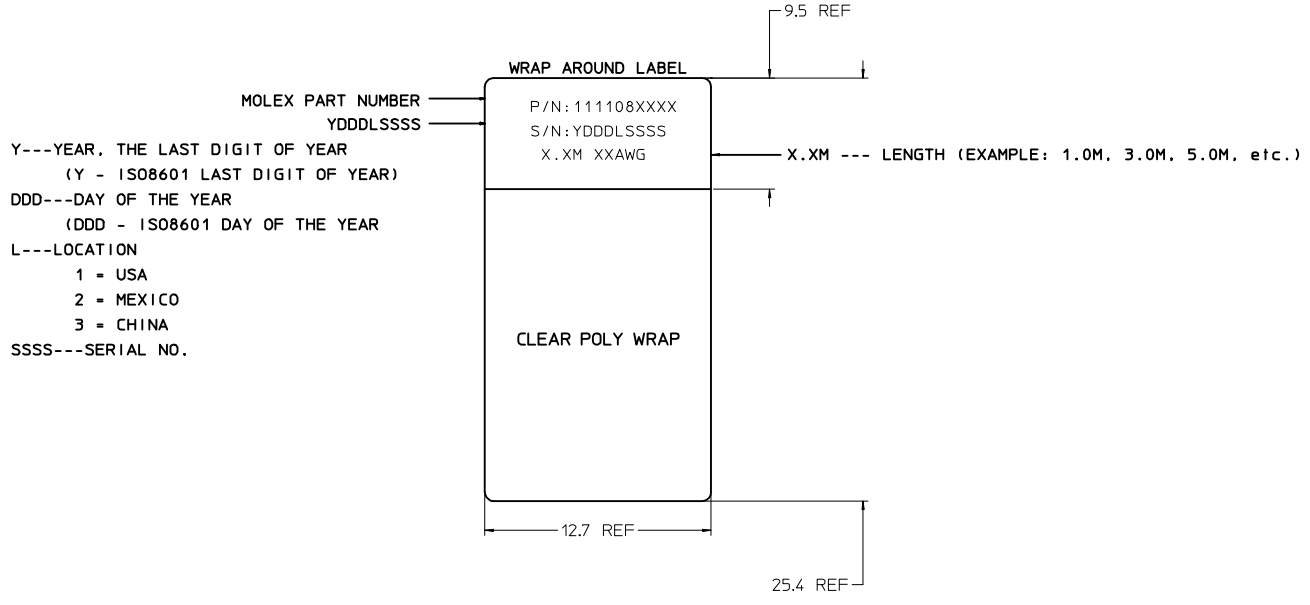


LOW SPEED SIGNALS P1 & P2	
PAD	SIGNAL
08	ModSelL
09	ResetL
10	VccRx
11	SCL
12	SDA
27	ModPrsL
28	IntL
29	VccTx
30	Vcc1
31	LPMode

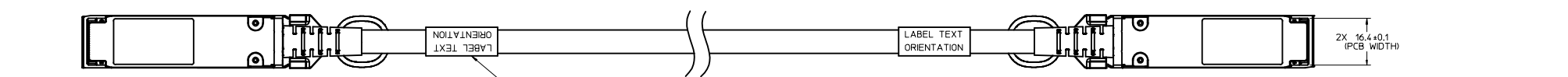
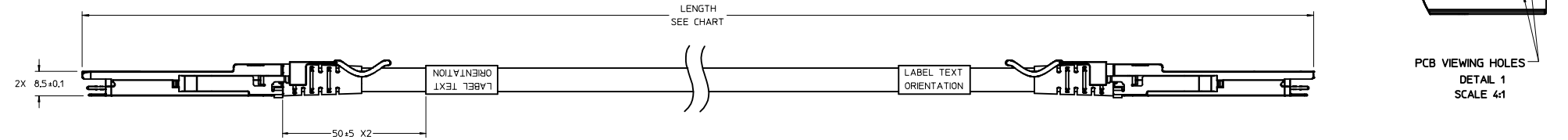
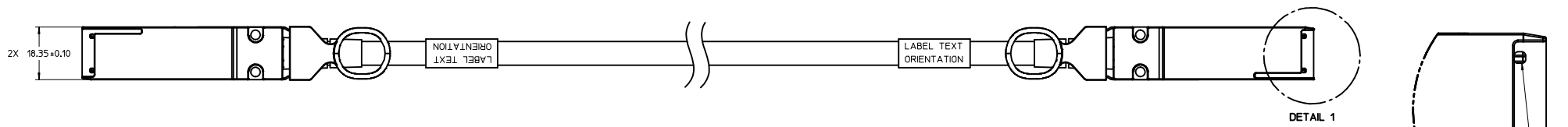
WIRING DIAGRAM			
P1 END		P2 END	
PAD	SIGNAL	PAD	SIGNAL
01	GND (TX)	20	GND (RX)
02	TX2n	21	RX2n
03	TX2p	22	RX2p
04	GND (TX)	23	GND (RX)
05	TX4n	24	RX4n
06	TX4p	25	RX4p
07	GND (TX)	26	GND (RX)
13	GND (RX)	32	GND (TX)
14	RX3p	33	TX3p
15	RX3n	34	TX3n
16	GND (RX)	35	GND (TX)
17	RX1p	36	TX1p
18	RX1n	37	TX1n
19	GND (RX)	38	GND (TX)
20	GND (RX)	01	GND (TX)
21	RX2n	02	TX2n
22	RX2p	03	TX2p
23	GND (RX)	04	GND (TX)
24	RX4n	05	TX4n
25	RX4p	06	TX4p
26	GND (RX)	07	GND (TX)
32	GND (TX)	13	GND (RX)
33	TX3p	14	RX3p
34	TX3n	15	RX3n
35	GND (TX)	16	GND (RX)
36	TX1p	17	RX1p
37	TX1n	18	RX1n
38	GND (TX)	19	GND (RX)

- NOTES:
- DC BLOCKING CAPS ON BOTH TRANSMIT AND RECEIVE SIDES
 - CABLE COILED AND PACKAGED IN BEST FIT ESD BAG AND SEALED WITH ESD LABEL FOR SHIPPING

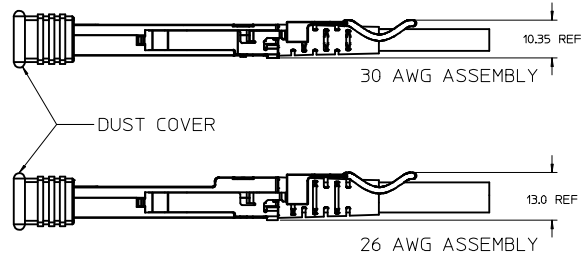
UPDATED P/N CHART EC NO: CPG2013-0426 DRAWNSWALA 2012/08/09 CHKOCHIRSI 2012/08/10 APPROVANKAN 2012/08/20	QUALITY SYMBOLS ▽=0 ▽=0	GENERAL TOLERANCES (UNLESS SPECIFIED) DIMENSION STYLE MM ONLY	DIMENSION STYLE MM ONLY	SCALE 2:1	DESIGN UNITS METRIC	THIRD ANGLE PROJECTION	
	4 PLACES ±---+--- 3 PLACES ±---+--- 2 PLACES ±---+--- 1 PLACE ±---+--- ANGULAR ±---°	DRAWN BY BCHENO6_USY 2010/09/14 CHECKED BY K LLOYD 2010/09/14 APPROVED BY MAHMOOD 2010/11/23	MATERIAL NO. SEE SHEET 1	TITLE QSFP+ 10G ACTIVE COPPER PATCH CABLE ASSEMBLY	DOCUMENT NO. SD-111108-0001	MOLEX INCORPORATED	SHEET NO. 2 OF 4
	DRAFT WHERE APPLICABLE MUST REMAIN WITHIN DIMENSIONS	DRAFT WHERE APPLICABLE MUST REMAIN WITHIN DIMENSIONS	THIS DRAWING CONTAINS INFORMATION THAT IS PROPRIETARY TO MOLEX INCORPORATED AND SHOULD NOT BE USED WITHOUT WRITTEN PERMISSION	MOLEX INCORPORATED	MOLEX INCORPORATED	MOLEX INCORPORATED	MOLEX INCORPORATED
	DRAFT WHERE APPLICABLE MUST REMAIN WITHIN DIMENSIONS	DRAFT WHERE APPLICABLE MUST REMAIN WITHIN DIMENSIONS	DRAFT WHERE APPLICABLE MUST REMAIN WITHIN DIMENSIONS	DRAFT WHERE APPLICABLE MUST REMAIN WITHIN DIMENSIONS	DRAFT WHERE APPLICABLE MUST REMAIN WITHIN DIMENSIONS	DRAFT WHERE APPLICABLE MUST REMAIN WITHIN DIMENSIONS	DRAFT WHERE APPLICABLE MUST REMAIN WITHIN DIMENSIONS



UPDATED P/N CHART IEC NO: CPG2013-0426 DRAWN BY: DRWNSWJJA 2012/08/09 CHECKED BY: CHYKCHRSCHY 2012/08/10 APPR: RPKHAN 2012/08/20	QUALITY SYMBOLS ▽=0 ▽=0	GENERAL TOLERANCES (UNLESS SPECIFIED)		DIMENSION STYLE MM ONLY	SCALE 1:1	DESIGN UNITS METRIC	THIRD ANGLE PROJECTION
		4 PLACES ±--- ±--- 3 PLACES ±--- ±--- 2 PLACES ±--- ±--- 1 PLACE ±0.25 ±--- ANGULAR ±---°	mm INCH	DRAWN BY: BCHENO6_USY 2010/09/14 CHECKED BY: DATE K LLOYD 2010/09/14	TITLE QSFP+ 10G ACTIVE COPPER PATCH CABLE ASSEMBLY		
		DRAFT WHERE APPLICABLE MUST REMAIN WITHIN DIMENSIONS		APPROVED BY: RMAHMOOD 2010/11/23 MATERIAL NO.	MOLEX INCORPORATED		
		SEE SHEET 1		DOCUMENT NO. SD-111108-0001	SHEET NO. 3 OF 4		



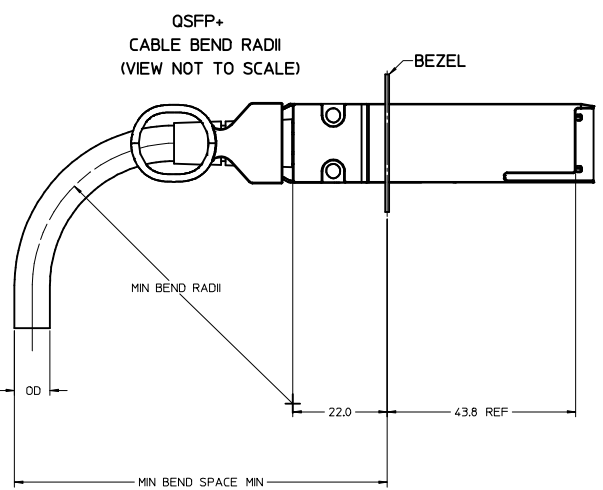
CABLE LABEL
(SEE SHEET 3 FOR DETAILS)
* FOR CABLES UNDER 2 METERS,
LABEL ON ONE END ONLY



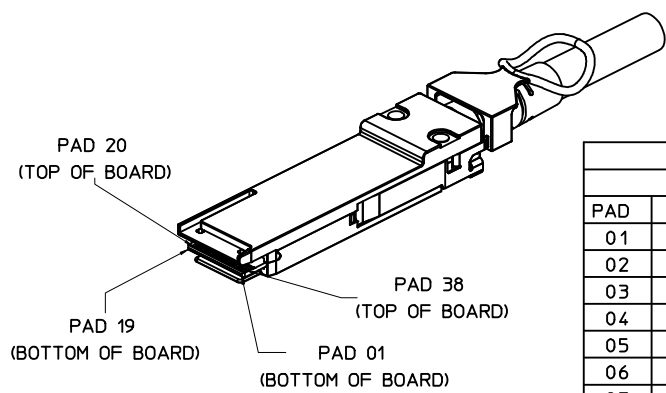
MOLEX P/N	MOLEX REV	DESCRIPTION	LENGTH	AWG
1111081101	B	QSFP+ COPPER FULLY ACTIVE 10G	1.0M ± 0.05M	30
1111081301	B	QSFP+ COPPER FULLY ACTIVE 10G	3.0M ± 0.05M	30
1111081501	B	QSFP+ COPPER FULLY ACTIVE 10G	5.0M ± 0.08M	30
1111081701	B	QSFP+ COPPER FULLY ACTIVE 10G	7.0M ± 0.08M	30
1111089001	B	QSFP+ COPPER FULLY ACTIVE 10G	10.0M ± 0.08M	26

- NOTES:
- MATERIALS:
BACKSHELLS - ZINC DIE CAST WITH BRIGHT NICKEL PLATING
DELATCH - STAINLESS STEEL WITH ZYTEL
PCB - FR4
RIVETS - STAINLESS STEEL
 - CABLE LENGTH DEPENDS ON WIRE GAUGE, DATA RATE, AND HOST BOARD DRIVER CAPABILITIES
 - IMPEDANCE - 100 OHMS DIFFERENTIAL
 - LEAD FREE, NO RoHS EXEMPTIONS.

UPDATED P/N CHART EC NO: CPG2013-0426 DRAWN BY: DRWNSWJAJA 2012/08/09 CHECKED BY: CHYKCHIRSHY 2012/08/10 APPROVED BY: APPRBRMKHAN 2012/08/20	QUALITY SYMBOLS ▽=0 ▽=0	GENERAL TOLERANCES (UNLESS SPECIFIED) mm INCH		DIMENSION STYLE MM ONLY	SCALE 1.5:1	DESIGN UNITS METRIC	THIRD ANGLE PROJECTION	
		4 PLACES ±--- ±--- 3 PLACES ±--- ±--- 2 PLACES ±--- ±--- 1 PLACE ±0.25 ±--- ANGULAR ±---°	DRAWN BY: BCHEN06_USY 2010/09/14 CHECKED BY: DATE K LLOYD 2010/09/14 APPROVED BY: DATE RMAHMOOD 2010/11/23	TITLE QSFP+ 10G ACTIVE COPPER PATCH CABLE ASSEMBLY		MOLEX INCORPORATED		MATERIAL NO. SEE CHART
DRAFT WHERE APPLICABLE MUST REMAIN WITHIN DIMENSIONS		SIZE D		THIS DRAWING CONTAINS INFORMATION THAT IS PROPRIETARY TO MOLEX INCORPORATED AND SHOULD NOT BE USED WITHOUT WRITTEN PERMISSION				SHEET NO. 1 OF 4



CABLE AWG	OD	MINIMUM BEND SPACE	MINIMUM BEND RADII (STATIC)
26	8.78+/-0.4mm	70.29mm	43.9mm
30	6.47+/-0.4mm	57.58mm	32.35mm



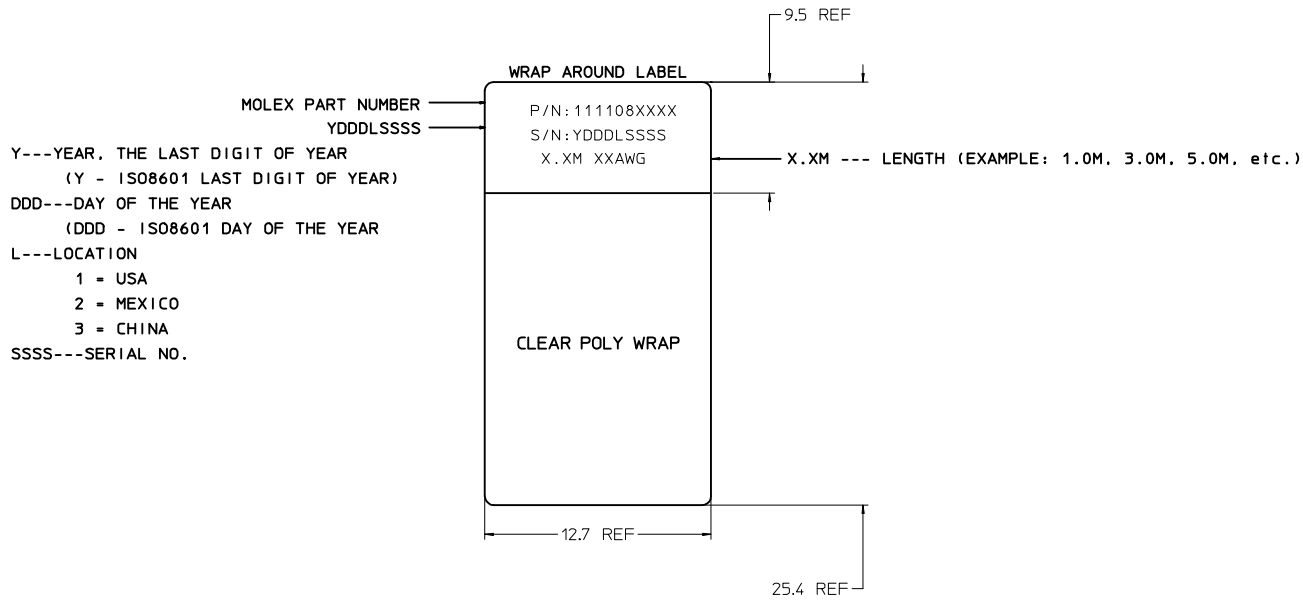
LOW SPEED SIGNALS P1 & P2	
PAD	SIGNAL
08	ModSelL
09	ResetL
10	VccRx
11	SCL
12	SDA
27	ModPrsL
28	IntL
29	VccTx
30	Vcc1
31	LPMode

WIRING DIAGRAM			
P1 END		P2 END	
PAD	SIGNAL	PAD	SIGNAL
01	GND (TX)	20	GND (RX)
02	TX2n	21	RX2n
03	TX2p	22	RX2p
04	GND (TX)	23	GND (RX)
05	TX4n	24	RX4n
06	TX4p	25	RX4p
07	GND (TX)	26	GND (RX)
13	GND (RX)	32	GND (TX)
14	RX3p	33	TX3p
15	RX3n	34	TX3n
16	GND (RX)	35	GND (TX)
17	RX1p	36	TX1p
18	RX1n	37	TX1n
19	GND (RX)	38	GND (TX)
20	GND (RX)	01	GND (TX)
21	RX2n	02	TX2n
22	RX2p	03	TX2p
23	GND (RX)	04	GND (TX)
24	RX4n	05	TX4n
25	RX4p	06	TX4p
26	GND (RX)	07	GND (TX)
32	GND (TX)	13	GND (RX)
33	TX3p	14	RX3p
34	TX3n	15	RX3n
35	GND (TX)	16	GND (RX)
36	TX1p	17	RX1p
37	TX1n	18	RX1n
38	GND (TX)	19	GND (RX)

- NOTES:
- DC BLOCKING CAPS ON BOTH TRANSMIT AND RECEIVE SIDES
 - CABLE COILED AND PACKAGED IN BEST FIT ESD BAG AND SEALED WITH ESD LABEL FOR SHIPPING

UPDATED P/N CHART EC NO: CPG2013-0426 DRAWNSWALA 2012/08/09 CHKOCHIRSI 2012/08/10 APPROVANKAN 2012/08/20	QUALITY SYMBOLS ▽=0 ▽=0	GENERAL TOLERANCES (UNLESS SPECIFIED) DIMENSION STYLE MM ONLY	DIMENSION STYLE MM ONLY	SCALE 2:1	DESIGN UNITS METRIC	THIRD ANGLE PROJECTION	
	4 PLACES ±---+--- 3 PLACES ±---+--- 2 PLACES ±---+--- 1 PLACE ±---+--- ANGULAR ±---°	mm INCH	DRAWN BY BCHENO6_USY 2010/09/14 CHECKED BY K LLOYD 2010/09/14 APPROVED BY MAHMOOD 2010/11/23	DATE DATE DATE	TITLE QSFP+ 10G ACTIVE COPPER PATCH CABLE ASSEMBLY	MOLEX INCORPORATED	SHEET NO. 2 OF 4
	DRAFT WHERE APPLICABLE MUST REMAIN WITHIN DIMENSIONS	MATERIAL NO. SEE SHEET 1	DOCUMENT NO. SD-111108-0001	MOLEX INCORPORATED	MOLEX INCORPORATED	MOLEX INCORPORATED	MOLEX INCORPORATED
	THIS DRAWING CONTAINS INFORMATION THAT IS PROPRIETARY TO MOLEX INCORPORATED AND SHOULD NOT BE USED WITHOUT WRITTEN PERMISSION	MOLEX INCORPORATED	MOLEX INCORPORATED	MOLEX INCORPORATED	MOLEX INCORPORATED	MOLEX INCORPORATED	MOLEX INCORPORATED

20 19 18 17 16 15 14 13 12 11 10 9 8 7 6 5 4 3 2 1



UPDATED P/N CHART IEC NO: CPG2013-0426 DRAWN BY: DRWNSWJJA 2012/08/09 CHECKED BY: CHYKCHRSCHY 2012/08/10 APPROVED BY: APPR:RWK/HAN 2012/08/20 REV:	QUALITY SYMBOLS ▽=0 ▽=0	GENERAL TOLERANCES (UNLESS SPECIFIED) <table border="1"> <thead> <tr> <th></th> <th>mm</th> <th>INCH</th> </tr> </thead> <tbody> <tr> <td>4 PLACES</td> <td>±---</td> <td>±---</td> </tr> <tr> <td>3 PLACES</td> <td>±---</td> <td>±---</td> </tr> <tr> <td>2 PLACES</td> <td>±---</td> <td>±---</td> </tr> <tr> <td>1 PLACE</td> <td>±0.25</td> <td>±---</td> </tr> <tr> <td colspan="3">ANGULAR ±----</td> </tr> </tbody> </table>		mm	INCH	4 PLACES	±---	±---	3 PLACES	±---	±---	2 PLACES	±---	±---	1 PLACE	±0.25	±---	ANGULAR ±----			DIMENSION STYLE MM ONLY	SCALE 1:1	DESIGN UNITS METRIC	THIRD ANGLE PROJECTION
		mm	INCH																					
	4 PLACES	±---	±---																					
	3 PLACES	±---	±---																					
2 PLACES	±---	±---																						
1 PLACE	±0.25	±---																						
ANGULAR ±----																								
			DRAWN BY: BCHENO6_USY 2010/09/14 CHECKED BY: K LLOYD 2010/09/14 APPROVED BY: RMAHMOOD 2010/11/23	DATE: 2010/09/14 DATE: 2010/09/14 DATE: 2010/11/23	TITLE QSFP+ 10G ACTIVE COPPER PATCH CABLE ASSEMBLY	MOLEX INCORPORATED																		
		DRAFT WHERE APPLICABLE MUST REMAIN WITHIN DIMENSIONS	SEE SHEET 1	WATERFALL NO. SD-111108-0001	DOCUMENT NO. SD-111108-0001	SHEET NO. 3 OF 4																		
			SIZE D	THIS DRAWING CONTAINS INFORMATION THAT IS PROPRIETARY TO MOLEX INCORPORATED AND SHOULD NOT BE USED WITHOUT WRITTEN PERMISSION																				

19 18 17 16 15 14 13 12 11 10 9 8 7 6 5 4 3 2 1

