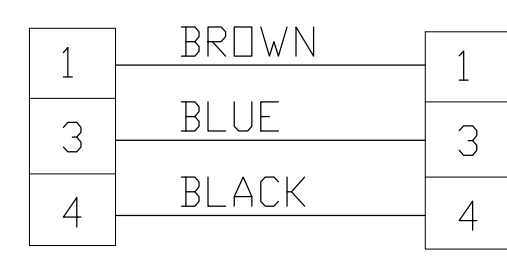
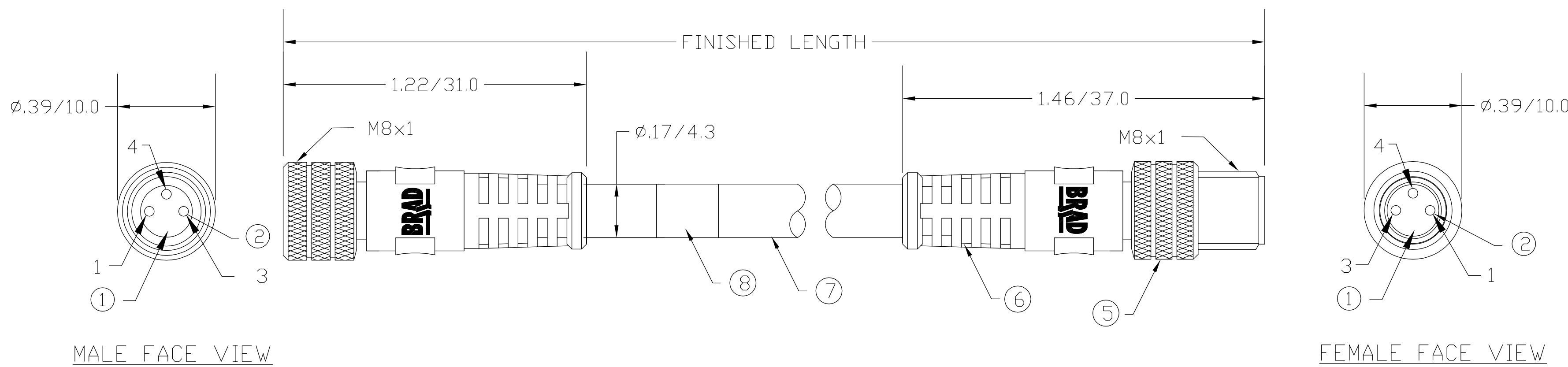
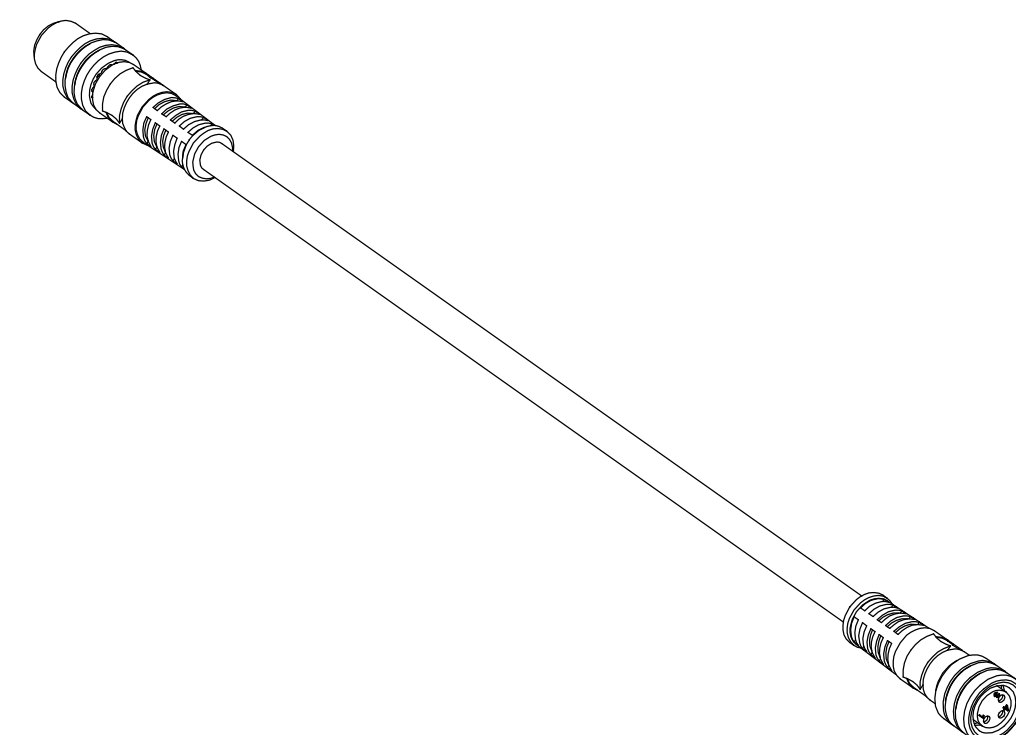


MATERIAL NUMBER	OLD PART NUMBER	FINISHED LENGTH
120087-0068	443030A10M003	.98' +.75" -0 [1.3M +19.1 -0]
120087-0070	443030A10M005	1.64' +1.75" -0 [1.5M +44.5 -0]
120087-0071	443030A10M006	1.97' +1.75" -0 [1.6M +44.5 -0]
120087-0074	443030A10M010	3.28' +2.19" -0 [1.0M +55.6 -0]
120087-0078	443030A10M020	6.56' +3.50" -0 [2.0M +88.9 -0]
120087-0079	443030A10M030	9.84' +3.50" -0 [3.0M +88.9 -0]
120087-0080	443030A10M040	13.12' +6.50" -0 [4.0M +165.1 -0]
120087-0081	443030A10M050	16.40' +6.50" -0 [5.0M +165.1 -0]
120087-0083	443030A10M100	32.81' +12.50" -0 [10.0M +317.5 -0]



WIRING DIAGRAM

ITEM	COMPONENT	MATERIAL	FINISH
1	INSERT	PBT	BLACK
2	CONTACT SOCKET	COPPER ALLOY	GOLD OVER NICKEL
3	CONTACT PIN	COPPER ALLOY	GOLD OVER NICKEL
4	O-RING	VITON	RED
5	COUPLING NUT	BRASS	NICKEL PLATED/TEFLON COATED
6	OVERMOLD	TPE	YELLOW
7	CABLE- 24 AWG, (19 X #36 COPPER STRANDING) 3 CONDUCTOR 300V	PVC	YELLOW
8	LABEL	MYLAR	BLACK/YELLOW

VOLTAGE RATING	60 VAC/ 75 VDC
AMPERAGE RATING	4 AMPS
PROTECTION	IP67
OPERATING TEMPERATURE	-20°C TO 105°C
UL CERTIFICATIONS	UL LISTED, FILE NO. E152210
CSA CERTIFICATIONS	CSA CERTIFIED, FILE NO. LR6837

RLSO DRAWING EC NO: WNA2009-0624 DRWN: BWOODMAN 3/26/09 CH'KD: JM APPR: JFMURPHY 2009/04/01	QUALITY SYMBOL	GENERAL TOLERANCES (UNLESS SPECIFIED)	DIMENSION STYLE	SCALE	DESIGN UNITS	THIRD ANGLE PROJECTION														
	$\nabla=0$ $\sphericalangle=0$	<table border="1"> <tr> <th></th> <th>mm</th> <th>INCH</th> </tr> <tr> <td>4 PLACES</td> <td>±---</td> <td>±---</td> </tr> <tr> <td>3 PLACES</td> <td>±---</td> <td>±---</td> </tr> <tr> <td>2 PLACES</td> <td>±---</td> <td>±.01</td> </tr> <tr> <td>1 PLACE</td> <td>±0.3</td> <td>±---</td> </tr> </table>		mm	INCH		4 PLACES	±---	±---	3 PLACES	±---	±---	2 PLACES	±---	±.01	1 PLACE	±0.3	±---	IN/MM	---
		mm	INCH																	
	4 PLACES	±---	±---																	
3 PLACES	±---	±---																		
2 PLACES	±---	±.01																		
1 PLACE	±0.3	±---																		
DESCRIPTION	<table border="1"> <tr> <td>DRAWN BY</td> <td>DATE</td> </tr> <tr> <td>BW</td> <td>2009/03/26</td> </tr> <tr> <td>CHECKED BY</td> <td>DATE</td> </tr> <tr> <td>LH</td> <td>2009/03/26</td> </tr> <tr> <td>APPROVED BY</td> <td>DATE</td> </tr> <tr> <td>---</td> <td>---</td> </tr> </table>	DRAWN BY	DATE	BW	2009/03/26	CHECKED BY	DATE	LH	2009/03/26	APPROVED BY	DATE	---	---	TITLE		M8 3P M/MFE PVC CABLE				
DRAWN BY	DATE																			
BW	2009/03/26																			
CHECKED BY	DATE																			
LH	2009/03/26																			
APPROVED BY	DATE																			
---	---																			
REV	<table border="1"> <tr> <td>ANGULAR ±---</td> <td>°</td> </tr> <tr> <td colspan="2">DRAFT WHERE APPLICABLE MUST REMAIN WITHIN DIMENSIONS</td> </tr> </table>	ANGULAR ±---	°	DRAFT WHERE APPLICABLE MUST REMAIN WITHIN DIMENSIONS		MATERIAL NO.		DOCUMENT NO.												
ANGULAR ±---	°																			
DRAFT WHERE APPLICABLE MUST REMAIN WITHIN DIMENSIONS																				
A	SEE CHART	SEE CHART		SD-120087-004																
	SIZE C	THIS DRAWING CONTAINS INFORMATION THAT IS PROPRIETARY TO MOLEX INCORPORATED AND SHOULD NOT BE USED WITHOUT WRITTEN PERMISSION																		

MOLEX INCORPORATED  
 SD-120087-004  
 SHEET NO. 1 OF 1