

6

5

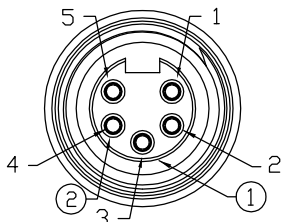
4

3

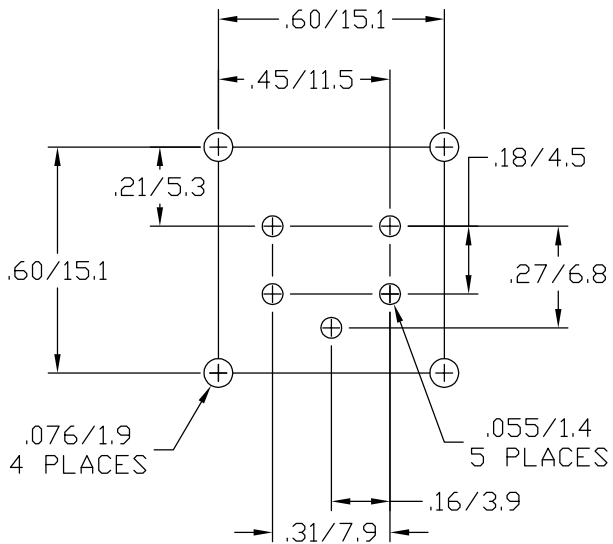
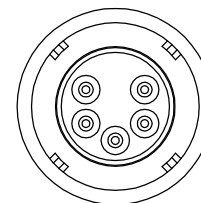
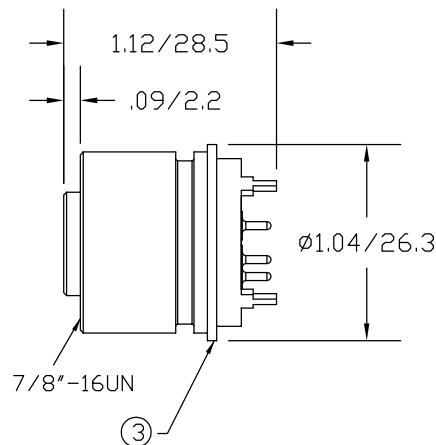
2

1

MATERIAL NUMBER	OLD PART NUMBER
130188-0034	67-0075



FEMALE FACE VIEW



PCB LAYOUT

VOLTAGE RATING	300 VAC/VDC
AMPERAGE RATING	8 AMPS
OPERATING TEMPERATURE	-20°C TO 80°C

ITEM	COMPONENT	MATERIAL	FINISH
1	INSERT	TPE	GRAY
2	CONTACT	COPPER ALLOY	GOLD OVER NICKEL
3	RECEPTACLE SHELL	BRASS	NICKEL PLATED

RLSD DRAWING
 EC NO: WNA2010-0139 8/27/09
 DRWN: BWOODMAN
 CHKD: JM
 APPR: JFMURPHY 2009/08/31

QUALITY SYMBOLS
 ▽=0
 ▽=0

GENERAL TOLERANCES (UNLESS SPECIFIED)

	mm	INCH
4 PLACES	±.005	±.0005
3 PLACES	±.005	±.0005
2 PLACES	±.005	±.001
1 PLACE	±0.3	±.012

ANGULAR ±.05°
 DRAFT WHERE APPLICABLE MUST REMAIN WITHIN DIMENSIONS

DIMENSION STYLE IN/MM

DRAWN BY	DATE
BW	2009/08/28
CHECKED BY	DATE
LH	2009/08/28
APPROVED BY	DATE
JFMURPHY	2009/08/28

MATERIAL NO. SEE CHART

SIZE A

SCALE --- DESIGN UNITS ---

THIRD ANGLE PROJECTION

TITLE MINI 5P FEMALE RECEPTACLE PCB MOUNT

MOLEX INCORPORATED

DOCUMENT NO. SD-130188-002 SHEET NO. 1 OF 1

THIS DRAWING CONTAINS INFORMATION THAT IS PROPRIETARY TO MOLEX INCORPORATED AND SHOULD NOT BE USED WITHOUT WRITTEN PERMISSION

6

5

4

3

2

1