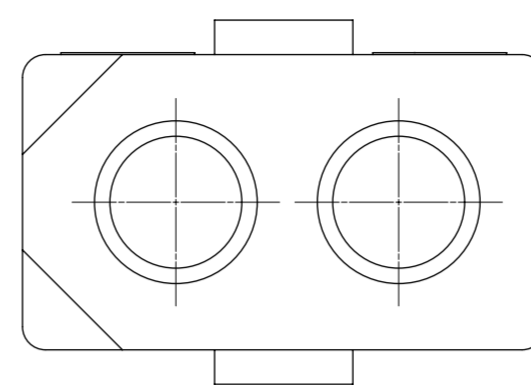
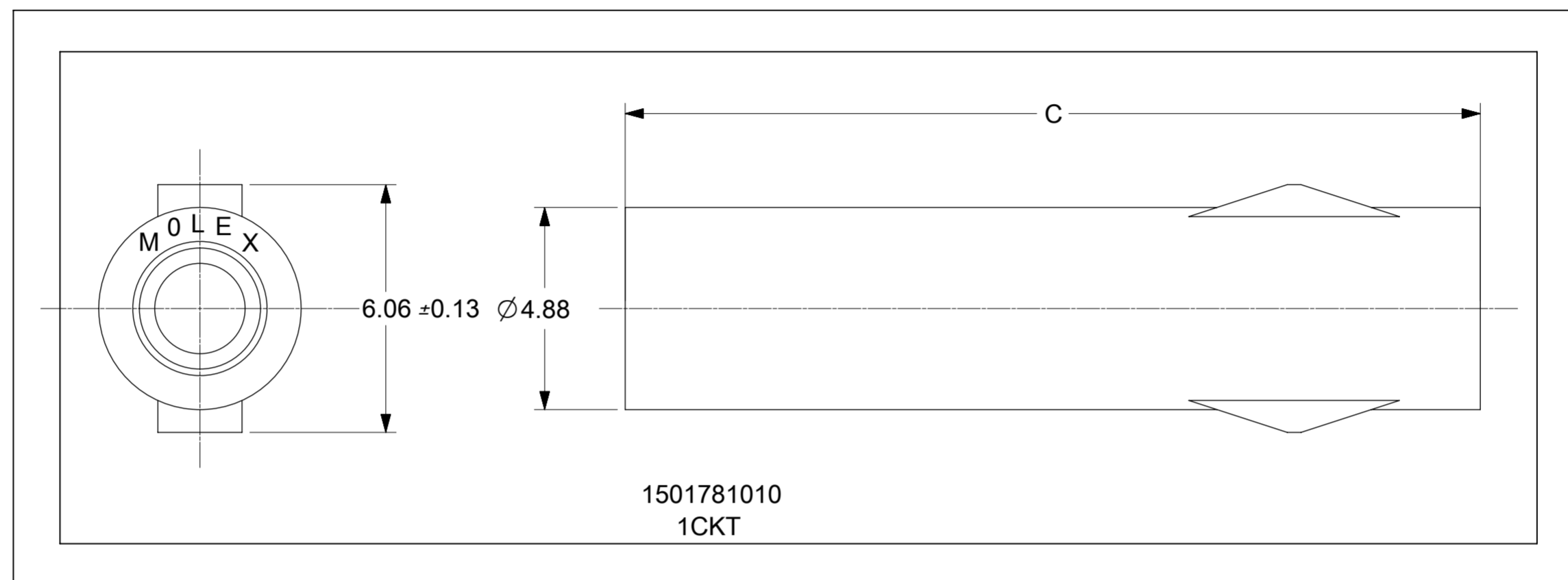
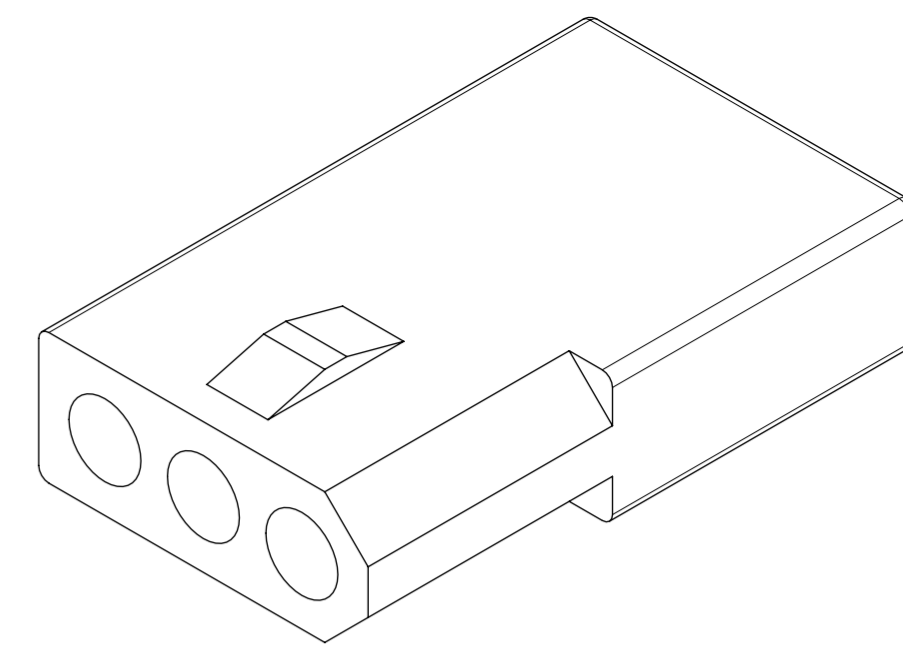


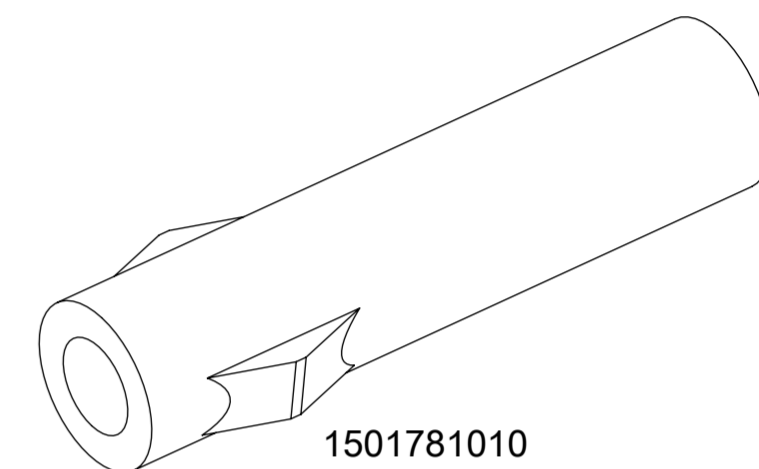
1501781030  
3CKT



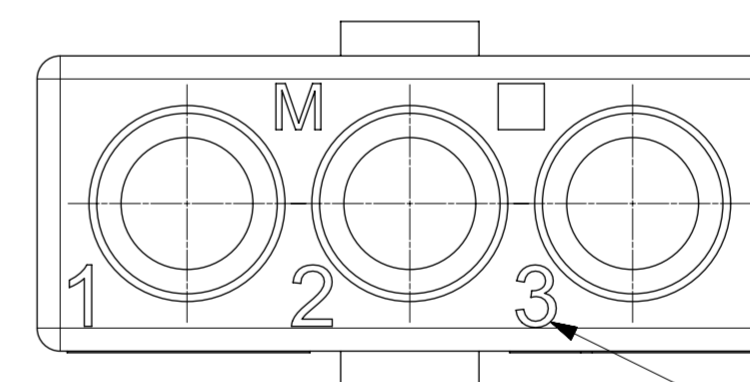
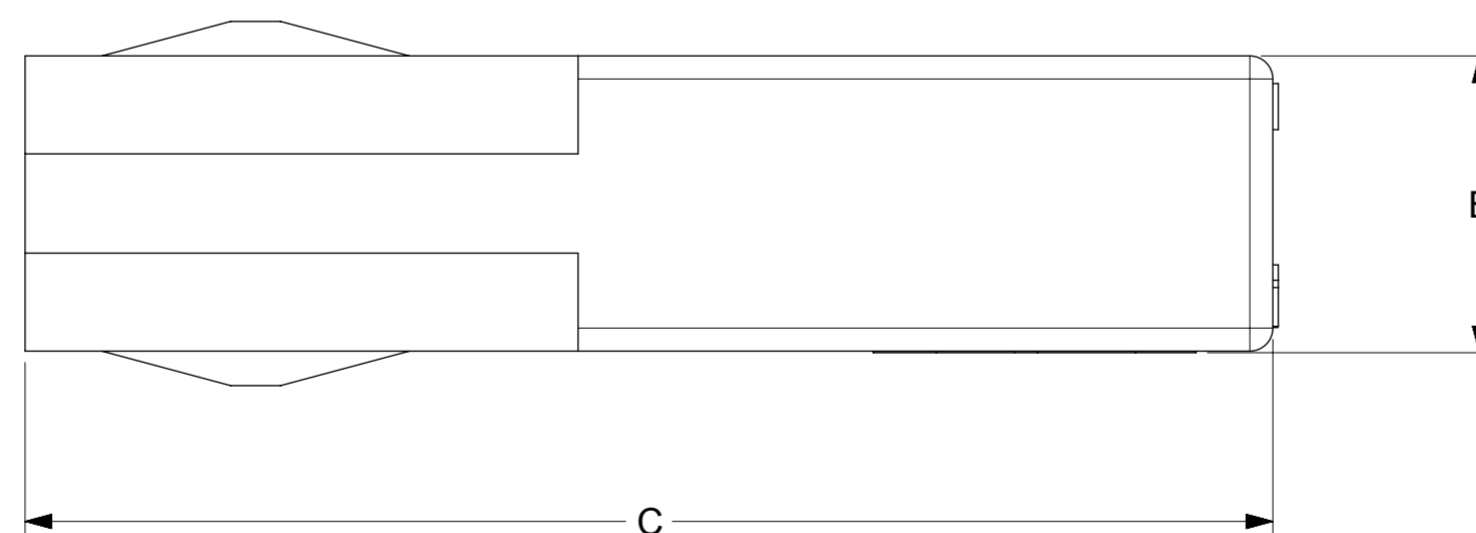
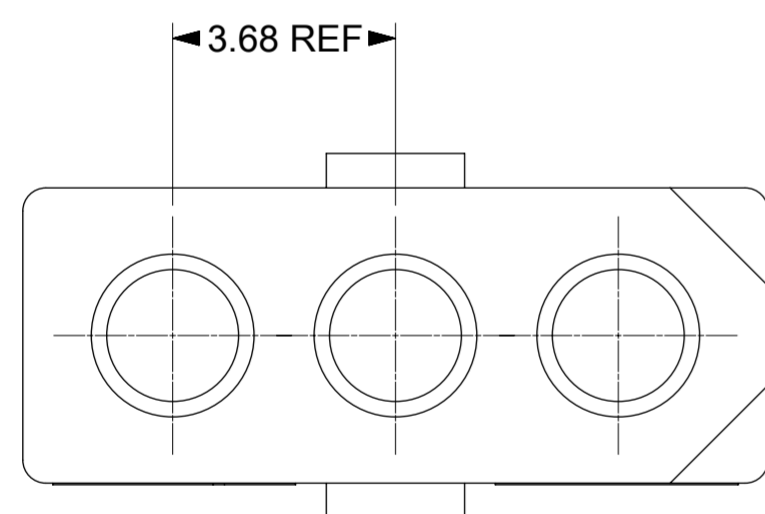
1501781020  
2CKT



1501781010  
1CKT



1501781010



CIRCUIT NUMBER

NOTES:

- 1) MATERIAL: NYLON TYPE 6/6,94V-2 COLOR: NATURAL
- 2) FINISH: NONE
- 3) PRODUCT SPECIFICATION: 1501760001-PS
- 4) PACKAGING SPECS: PK-150176-001
- 5) THIS PART CONFORMS TO CLASS B REQUIREMENTS OF COSMETIC SPEC PS-45499-002.
- 6) THIS PART CONFORMS TO MOISTURIZING SPECIFICATIONS OF NYLON PARTS REFER AS-45499-001
- 7) THIS PART ACCEPT TERMINAL SERIES 150181
- 8) THIS PART MATES WITH PLUG HOUSING SERIES 150176.

SL NO.	PART NUMBER	DESCRIPTION	DIM A	DIM B	DIM C
1	1501781010	1 CKT SINGLE ROW	---	---	19.84
2	1501781020	2 CKT SINGLE ROW	8.64	4.93	20.62
3	1501781030	3 CKT SINGLE ROW	12.3	5.05	19.8

FUNCTIONAL SYMBOLS FA = 0 FC = 0 FP = 0	THIS DRAWING CONTAINS INFORMATION THAT IS PROPRIETARY TO MOLEX ELECTRONIC TECHNOLOGIES, LLC AND SHOULD NOT BE USED WITHOUT WRITTEN PERMISSION										
	DIMENSION UNITS	SCALE					EC NO: 647195 DRWN: PRADEA CHK'D: NCSR APPR: NCSR INITIAL REVISION: DRWN: GES APPR: KPRASAD				
	GENERAL TOLERANCES (UNLESS SPECIFIED)		2020/10/09	2020/10/19	2020/10/19	STANDARD .062"+ SINGLE ROW RECEPTACLE HOUSING					
	ANGULAR TOL ± 0.5°		2014/11/05	2015/01/08	2015/01/08						
DIVISIONAL SYMBOLS		DRAFT WHERE APPLICABLE MUST REMAIN WITHIN DIMENSIONS		THIRD ANGLE PROJECTION	DRAWING	SERIES	MATERIAL NUMBER	CUSTOMER	DOC TYPE	DOC PART	REVISION
					A2-SIZE	150178	SEE TABLE	GENERAL MARKET	PSD	000	B1
DOCUMENT STATUS		P1	RELEASE DATE	2020/10/19	14:19:13	SHEET NUMBER		1 OF 1			