

1SNK900104R0000 ✓ ACTIVE

ENTRELEC | ENTRELEC SNK

TE Internal #: 1SNK900104R0000

Terminal Block & Strip Conducting Accessories, Spacer, Dark Gray,

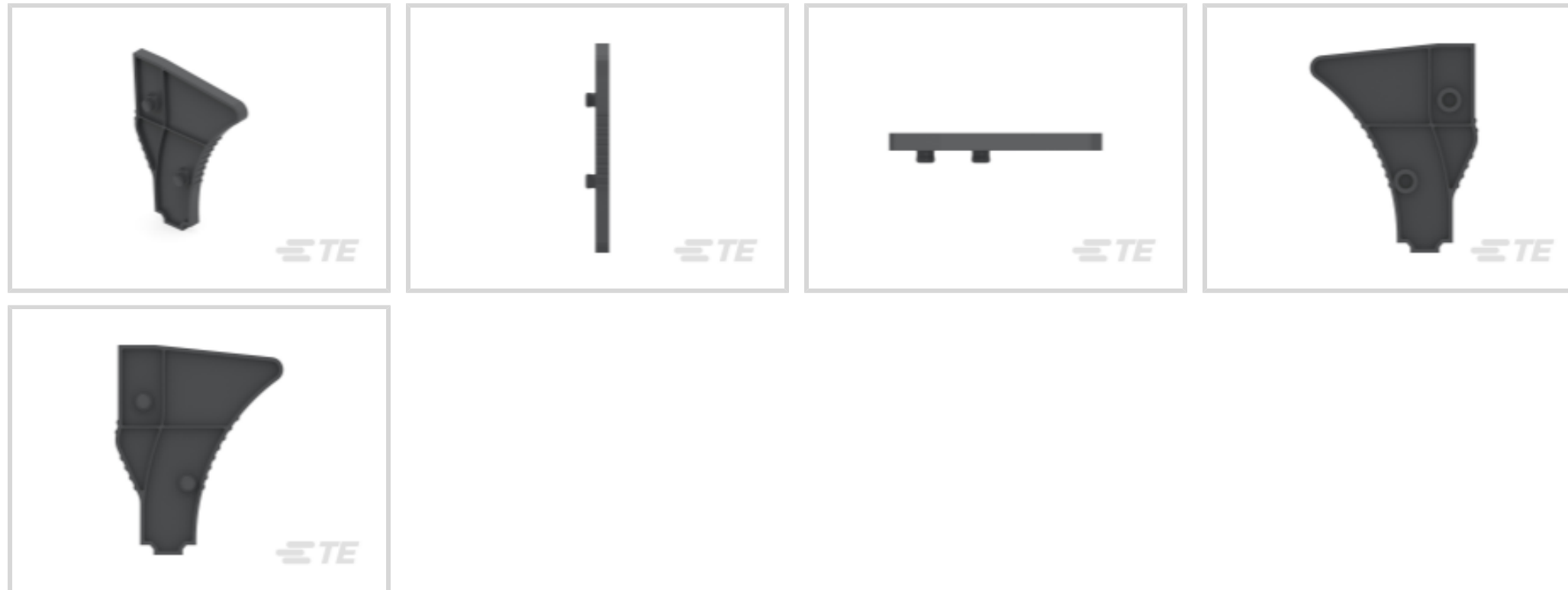
Product Spacing .11 in [2.8 mm], -67 – 230 °F [-55 – 110 °C],

ENTRELEC SNK

[View on TE.com >](#)



Connectors > Terminal Blocks & Strips > Terminal Block & Strip Accessories > Terminal Block & Strip Conducting Accessories



Conducting Accessory Type: **Spacer**

Primary Product Color: **Dark Gray**

Product Spacing: **2.8 mm [.11 in]**

Operating Temperature Range: **-55 – 110 °C [-67 – 230 °F]**

Features

Product Type Features

| | |
|---------------------------|--------|
| Conducting Accessory Type | Spacer |
|---------------------------|--------|

Body Features

| | |
|-------------------------------|-----------------|
| Plastic & Resin Material Type | Polyamide |
| Product Weight | 1.4 g [.049 oz] |
| Primary Product Color | Dark Gray |

Dimensions

| | |
|-----------------|--------------------|
| Product Depth | 42.5 mm [1.673 in] |
| Product Width | 2.8 mm [.111 in] |
| Product Height | 34.2 mm [1.346 in] |
| Product Spacing | 2.8 mm [.11 in] |

Usage Conditions

| | |
|--------------------------------|-----------------------------|
| Installation Temperature Range | -5 – 40 °C [23 – 104 °F] |
| Operating Temperature Range | -55 – 110 °C [-67 – 230 °F] |

Industry Standards



| | |
|-----------|------|
| IP Rating | IP20 |
|-----------|------|

Product Compliance

[For compliance documentation, visit the product page on TE.com>](#)

| | |
|---|---|
| EU RoHS Directive 2011/65/EU | Compliant |
| EU ELV Directive 2000/53/EC | Compliant |
| China RoHS 2 Directive MIIT Order No 32, 2016 | No Restricted Materials Above Threshold |
| EU REACH Regulation (EC) No. 1907/2006 | Current ECHA Candidate List: JAN 2023 (233) Candidate List Declared Against: JAN 2023 (233) Does not contain REACH SVHC |
| Halogen Content | Low Halogen - Br, Cl, F, I < 900 ppm per homogenous material. Also BFR/CFR/PVC Free |
| Solder Process Capability | Not reviewed for solder process capability |

Product Compliance Disclaimer

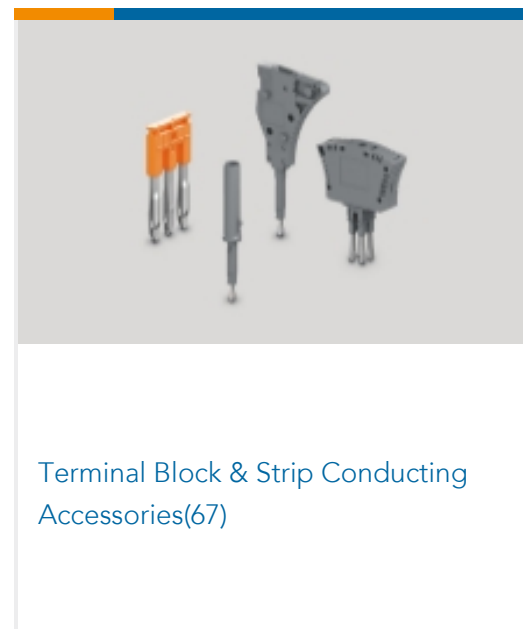
This information is provided based on reasonable inquiry of our suppliers and represents our current actual knowledge based on the information they provided. This information is subject to change. The part numbers that TE has identified as EU RoHS compliant have a maximum concentration of 0.1% by weight in homogenous materials for lead, hexavalent chromium, mercury, PBB, PBDE, DBP, BBP, DEHP, DIBP, and 0.01% for cadmium, or qualify for an exemption to these limits as defined in the Annexes of Directive 2011/65/EU (RoHS2). Finished electrical and electronic equipment products will be CE marked as required by Directive 2011/65/EU. Components may not be CE marked. Additionally, the part numbers that TE has identified as EU ELV compliant have a maximum concentration of 0.1% by weight in homogenous materials for lead, hexavalent chromium, and mercury, and 0.01% for cadmium, or qualify for an exemption to these limits as defined in the Annexes of Directive 2000/53/EC (ELV). Regarding the REACH Regulation, the information TE provides on SVHC in articles for this part number is based on the latest European Chemicals Agency (ECHA) 'Guidance on requirements for substances in articles' posted at this URL: <https://echa.europa.eu/guidance-documents/guidance-on-reach>

Compatible Parts

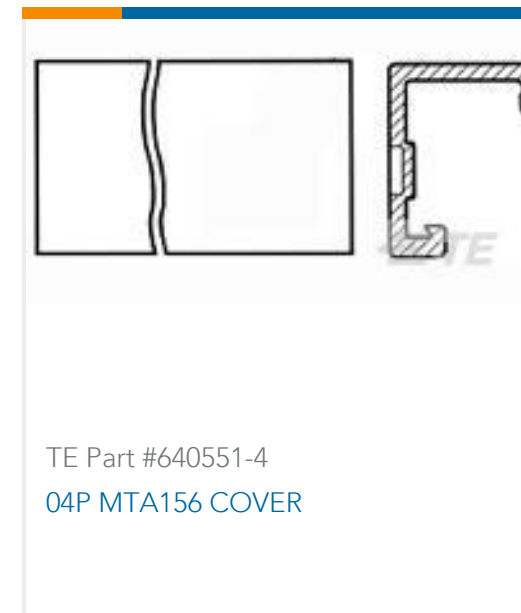
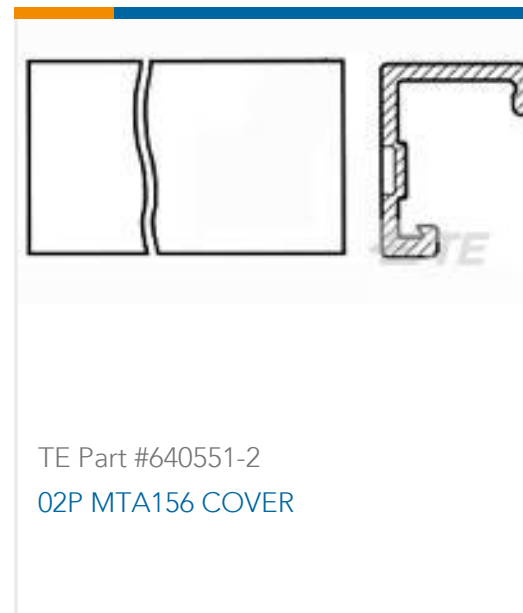
| | | | |
|--|---|---|---|
|  <p>TE Part # 1SNK508418R0000 ZS10-SF</p> |  <p>TE Part # 1SNK508425R0000 ZS4-D2-SF1</p> |  <p>TE Part # 1SNK900105R0000 ES-TC6</p> |  <p>TE Part # 1SNK508010R0000 ZS10</p> |
|--|---|---|---|



Also in the Series | **ENTRELEC SNK**



Customers Also Bought



Documents

CAD Files

3D PDF

3D

Customer View Model

[ENG_CVM_CVM_1SNK900104R0000_A.2d_dxf.zip](#)

English

Customer View Model

[ENG_CVM_CVM_1SNK900104R0000_A.3d_igs.zip](#)

English

Customer View Model

[ENG_CVM_CVM_1SNK900104R0000_A.3d_stp.zip](#)

English

By downloading the CAD file I accept and agree to the [Terms and Conditions](#) of use.

Datasheets & Catalog Pages

[ENTRELEC Terminal Block - Master Catalog](#)

[ENTRELEC Terminal Block - Master Catalog](#)

English

1SNK900104R0000

Terminal Block & Strip Conducting Accessories, Spacer, Dark Gray, Product Spacing .
11 in [2.8 mm], -67 – 230 °F [-55 – 110 °C], ENTRELEC SNK



[ES-TC8](#)

English

[SNK SERIES TERMINAL BLOCKS](#)

English

[ENTRELEC Terminal Blocks Catalogue \(RUS\)](#)