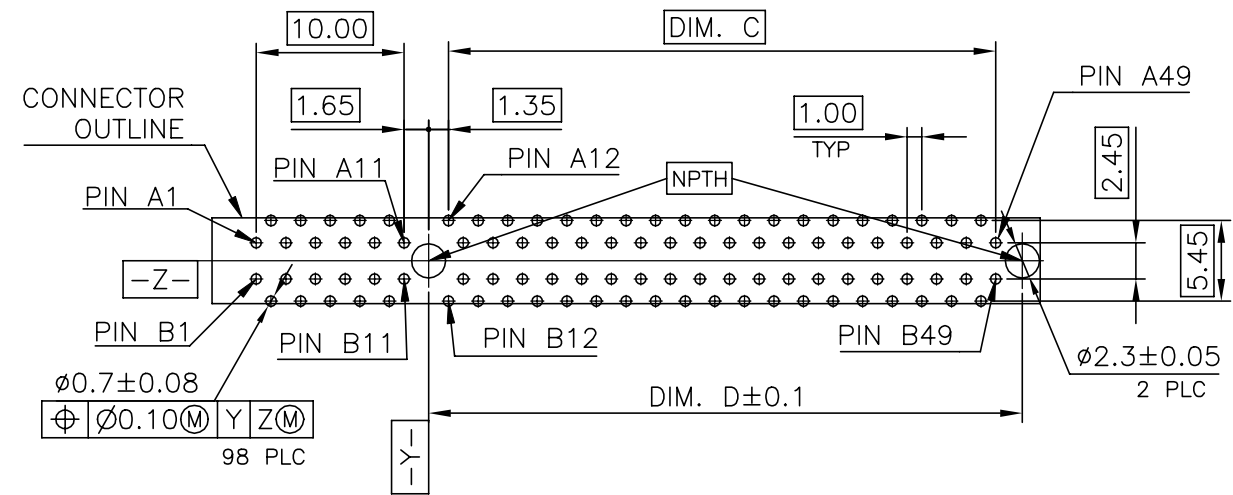
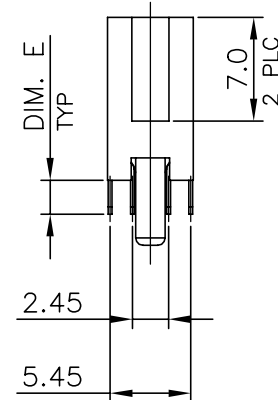
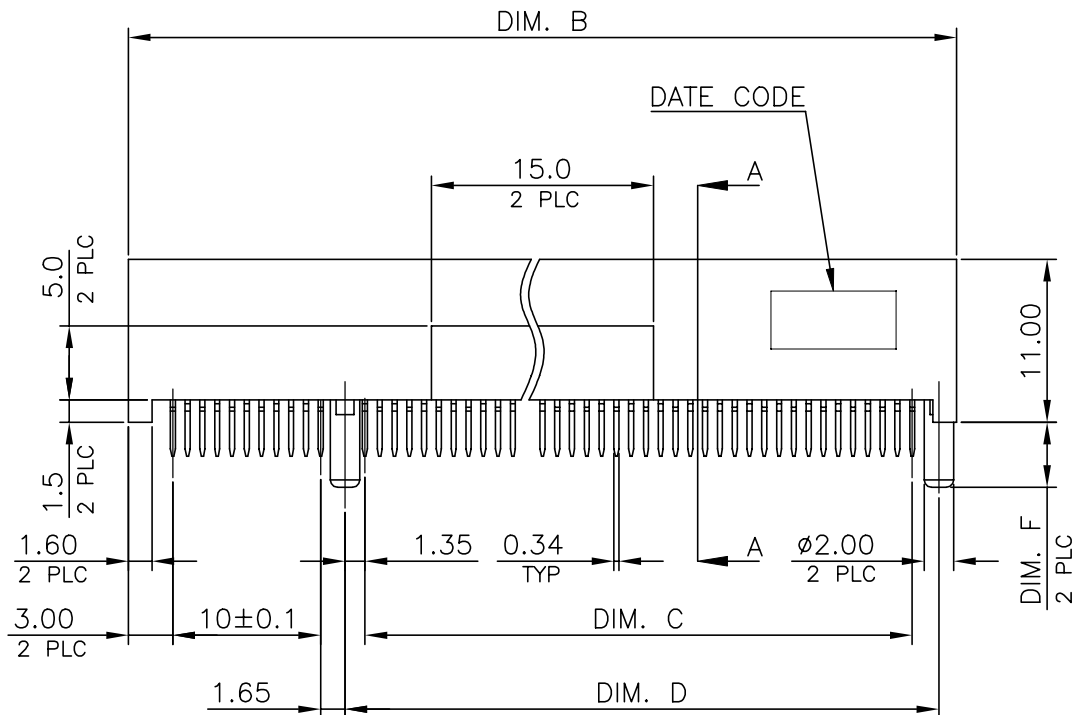
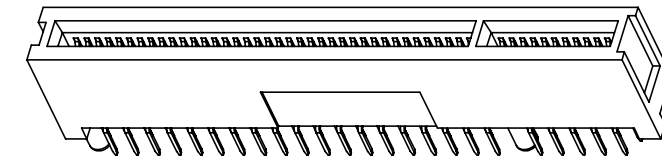
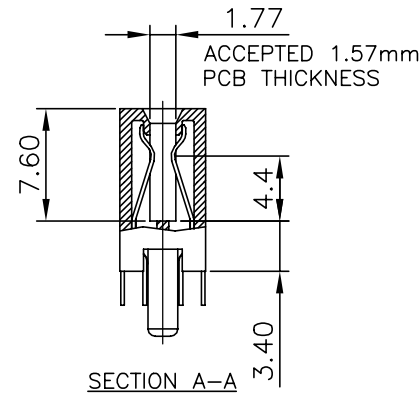
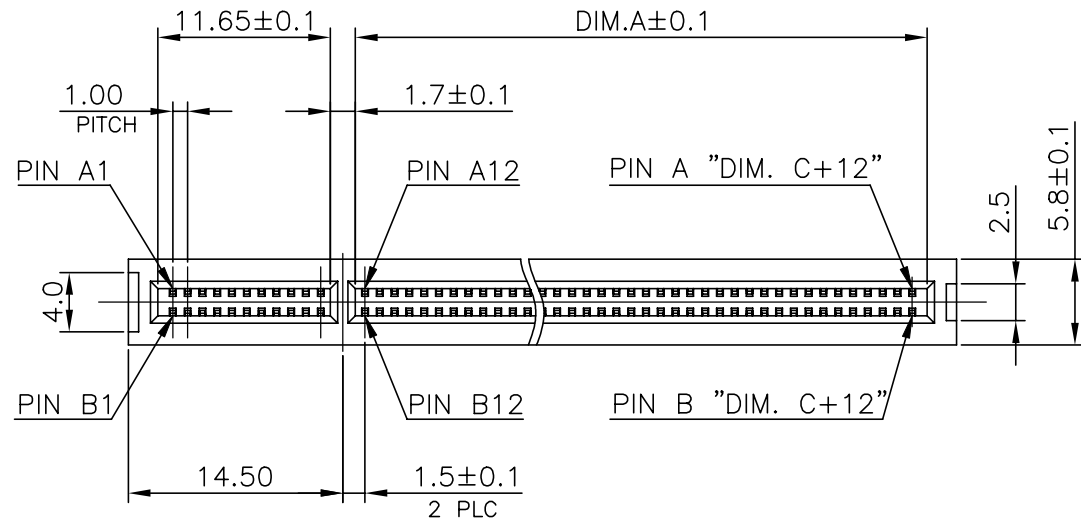


P	LTR	DESCRIPTION	DATE	DWN	APVD
	B5	REVISE PER ECO-20-012556	08SEP2020	TL	HL

NOTE:

- MATERIAL:  
HOUSING: LCP WITH 30% GF, UL 94V-0, COLOR:WHITE OR BLACK (SEE PAGE 2).  
CONTACTS: PHOSPHOR BRONZE.
- FINISH:  
CONTACTS: GOLD PLATED (SEE TABLE) ON CONTACT AREA  
2.54μm [100μ"] MIN. MATTE-TIN PLATING ON SOLDER AREA  
1.27μm [50μ"] MIN. NICKEL UNDERPLATED OVERALL.
- WAVE SOLDER CAPABLE TO 265°C PER TEST SPEC 109-202, CONDITION B.
- REFLOW SOLDER CAPABLE TO 260°C PER TE SPEC. TEC-109-201, CONDITION B.



TOLERANCE: ±0.05  
RECOMMENDED PCB LAYOUT

THIS DRAWING IS A CONTROLLED DOCUMENT.		DWN	E. LIU	11NOV2009	TE Connectivity Ltd. PCI EXPRESS CARD EDGE CONNECTOR VERTICAL ,SLIM, DIP TYPE	
		CHK	W. KODAMA	11NOV2009		
		APVD	S. CHIEN	11NOV2009		
		PRODUCT SPEC	108-57787			
DIMENSIONS:		TOLERANCES UNLESS OTHERWISE SPECIFIED:			NAME	
mm		0 PLC ± - 1 PLC ± 0.3 2 PLC ± 0.2 3 PLC ± 0.15 4 PLC ± - ANGLES ± 3			APPLICATION SPEC	
		MATERIAL			SIZE A3 CAGE CODE 00779 DRAWING NO C=2041612 RESTRICTED TO -	
		FINISH			WEIGHT SEE TABLE CUSTOMER DRAWING SCALE 1:1 SHEET 1 of 5 REV B5	

P	LTR	DESCRIPTION	DATE	DWN	APVD
-	-	SEE SHEET 1	-	-	-

NOTE(CONTINUED):

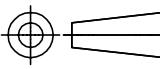
- ⑤ SPECIAL PACKAGE PER CUSTOMER REQUEST(SEE PAGE 5).
- ⑥ STANDARD PACKAGE PER CUSTOMER REQUEST(SEE PAGE 4).

PACKAGE	WEIGHT (GRAMS)	DIM F	DIM E	DIM D	DIM C	DIM B	DIM A	POS	MIN. GOLD THICKNESS	PART NUMBER
⑤	6.8	4.40	2.3	73.15	70.00	89.00	71.65	164	0.381μm [15μ"]	1-2041612-5
⑥	6.8	2.00	1.5	73.15	70.00	89.00	71.65	164	0.762μm [30μ"]	2041612-9
									GOLD FLASH	2041612-8
									0.381μm [15μ"]	2041612-7
⑥	6.8	4.40	2.3	73.15	70.00	89.00	71.65	164	0.762μm [30μ"]	2041612-6
									0.381μm [15μ"]	2041612-5
									GOLD FLASH	2041612-4
⑥	4.2	4.40	2.3	40.15	37.00	56.00	38.65	98	0.762μm [30μ"]	2041612-3
									0.381μm [15μ"]	2041612-2
									GOLD FLASH	2041612-1

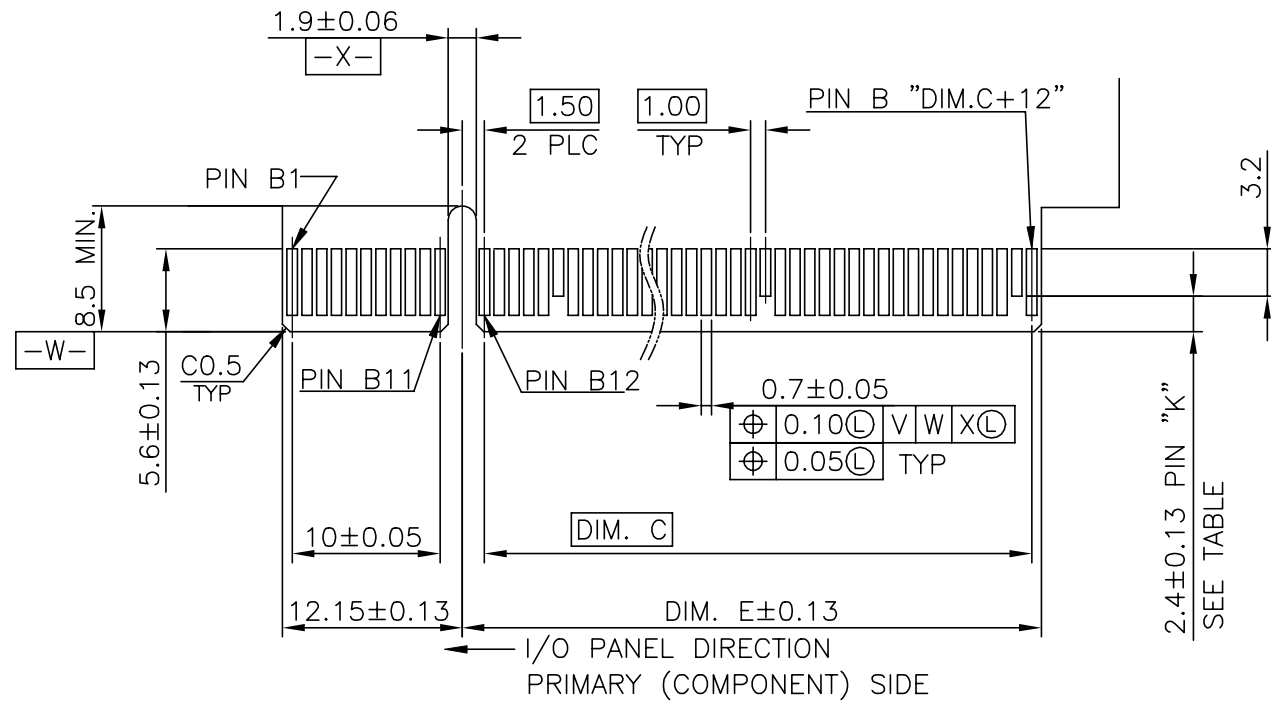
HOUSING COLOR : WHITE

PACKAGE	WEIGHT (GRAMS)	DIM F	DIM E	DIM D	DIM C	DIM B	DIM A	POS	MIN. GOLD THICKNESS	PART NUMBER
⑤	4.2	4.40	1.8	40.15	37.00	56.00	38.65	98	0.762μm [30μ"]	6-2041612-3
⑤	6.8	4.40	2.3	73.15	70.00	89.00	71.65	164	0.381μm [15μ"]	4-2041612-5
⑥	6.8	2.00	1.5	73.15	70.00	89.00	71.65	164	0.762μm [30μ"]	3-2041612-9
									GOLD FLASH	3-2041612-8
									0.381μm [15μ"]	3-2041612-7
⑥	6.8	4.40	2.3	73.15	70.00	89.00	71.65	164	0.762μm [30μ"]	3-2041612-6
									0.381μm [15μ"]	3-2041612-5
									GOLD FLASH	3-2041612-4
⑥	4.2	4.40	2.3	40.15	37.00	56.00	38.65	98	0.762μm [30μ"]	3-2041612-3
									0.381μm [15μ"]	3-2041612-2
									GOLD FLASH	3-2041612-1

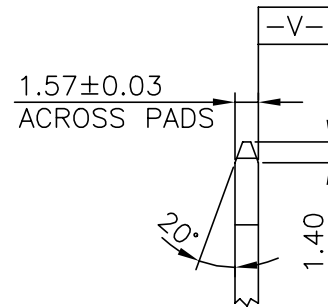
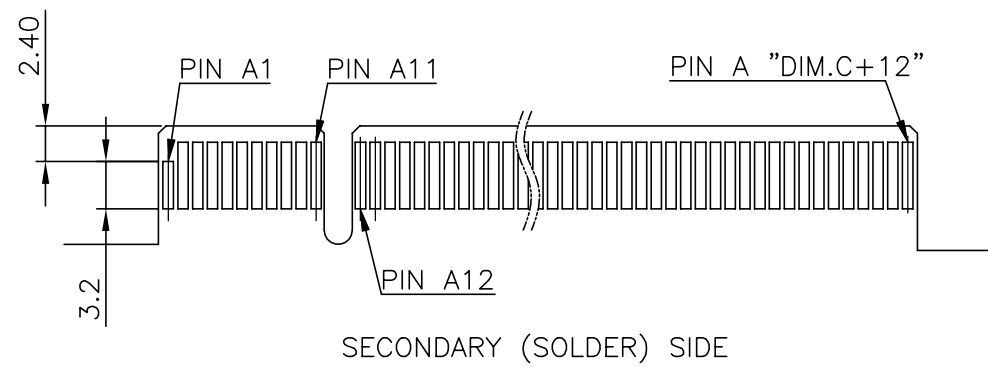
HOUSING COLOR : BLACK

THIS DRAWING IS A CONTROLLED DOCUMENT.		DWN	11NOV2009		<b>STE</b> TE Connectivity Ltd.
		CHK	11NOV2009		
		APVD	11NOV2009		
		NAME	S. CHIEN		
DIMENSIONS: mm		TOLERANCES UNLESS OTHERWISE SPECIFIED:		PRODUCT SPEC	
		0 PLC ± -		108-57787	
		1 PLC ± 0.3		APPLICATION SPEC	
		2 PLC ± 0.2		-	
		3 PLC ± 0.15		-	
4 PLC ± -		4 ANGLES ± -		SIZE	
MATERIAL		FINISH		CAGE CODE	
-		-		A3 00779	
		WEIGHT		DRAWING NO	
		SEE TABLE		C=2041612	
		CUSTOMER DRAWING		RESTRICTED TO	
				-	
		SCALE		SHEET	
		1:1		2 of 5	
				REV	
				B5	


P	LTR	DESCRIPTION	DATE	DWN	APVD
-	-	SEE SHEET 1	-	-	-



ADD-IN CARD EDGE-FINGER DIMENSIONS



164	70.0	72.15	B17,B31,B48,B81
98	37.0	39.15	B17,B31,B48
POS.	DIM. C	DIM. E	"K"

THIS DRAWING IS A CONTROLLED DOCUMENT.		DWN E. LIU	11NOV2009	 TE Connectivity Ltd.	
DIMENSIONS: mm		CHK W. KODAMA	11NOV2009		
TOLERANCES UNLESS OTHERWISE SPECIFIED:		APVD S. CHIEN	11NOV2009	NAME PCI EXPRESS CARD EDGE CONNECTOR VERTICAL ,SLIM, DIP TYPE	
0 PLC ± - 1 PLC ± 0.3 2 PLC ± 0.2 3 PLC ± 0.15 4 PLC ± - ANGLES ± 3		PRODUCT SPEC 108-57787		RESTRICTED TO	
MATERIAL		FINISH		SIZE CAGE CODE DRAWING NO A3 00779 C=2041612	
-		-		WEIGHT SEE TABLE CUSTOMER DRAWING	
		SCALE 1:1		SHEET 3 OF 5 REV B5	

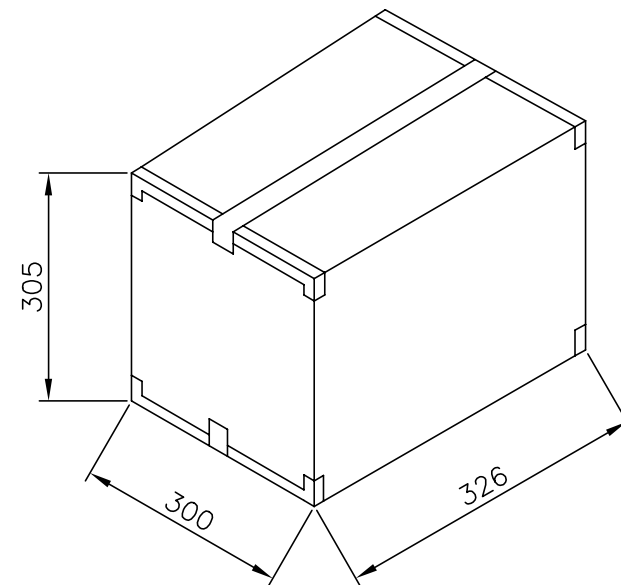
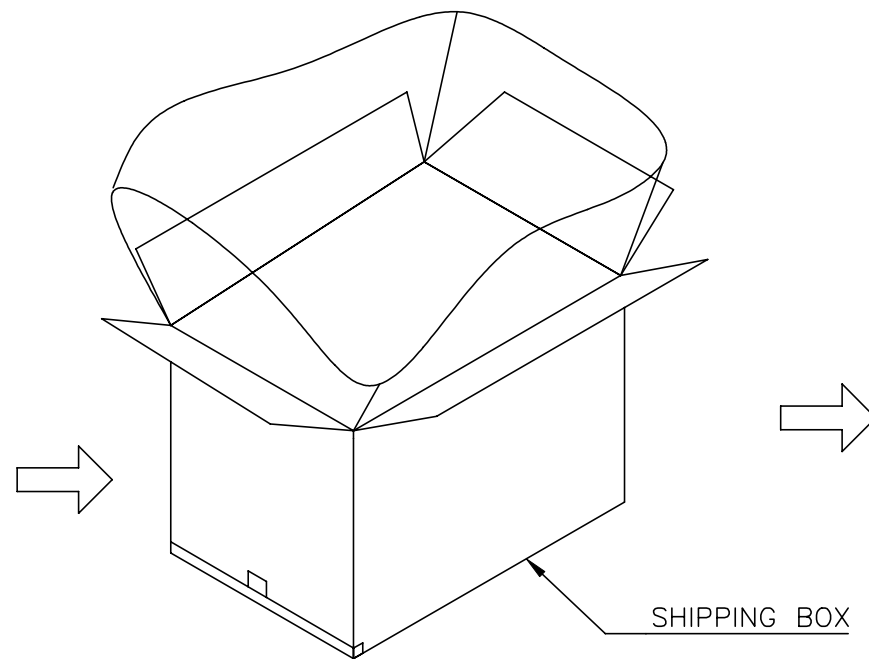
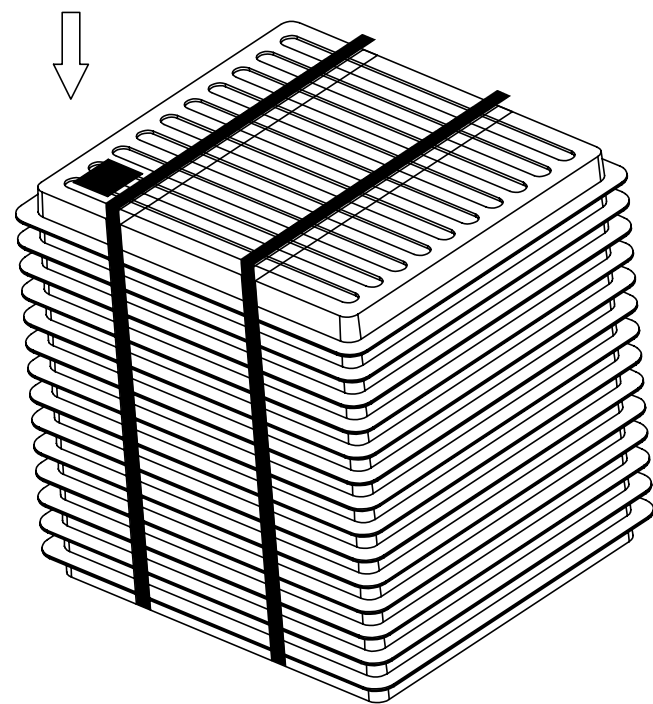
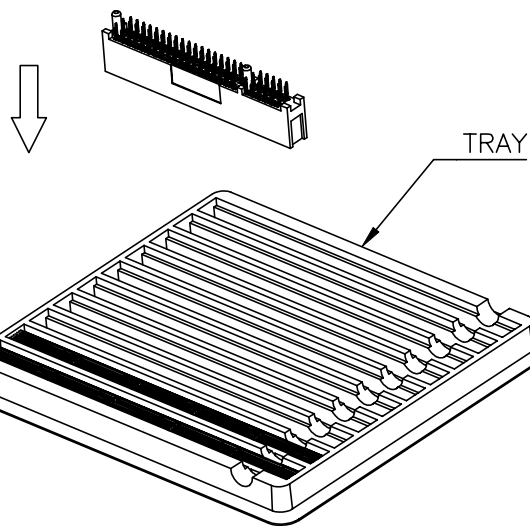
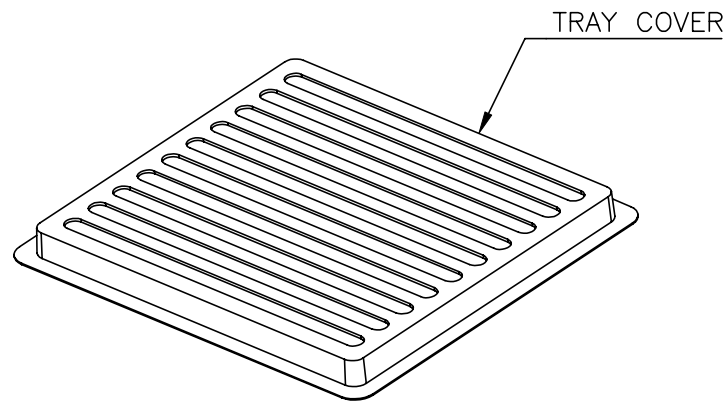
REVISIONS

P	LTR	DESCRIPTION	DATE	DWN	APVD
-	-	SEE SHEET 1	-	-	-

NOTES:

1. MATERIAL
  - 1.1 TRAY: PVC
  - 1.2 CONVER TRAY: PVC
  - 1.3 SHIPPING BOX: CORRUGATED FIBER
2. DIMENSION
  - 2.1 TRAY: 320mm(L) X 295mm(W) X 21mm(H)
  - 2.2 BOX: 326mm(L) X 300mm(W) X 305mm(H)
3. QUANTITY: SEE TABLE.
4. WEIGHT: SEE TABLE.

164	60	14	840	5.7	9.4
98	100	14	1400	5.9	9.6
POS NO.	PIECES PER TRAY	TRAYS PER BOX	PIECES PER BOX	NET WEIGHT (Kg)	GROSS WEIGHT (Kg)



THIS DRAWING IS A CONTROLLED DOCUMENT.		DWN E. LIU 11NOV2009	TE Connectivity Ltd.		
		CHK W. KODAMA 11NOV2009			
DIMENSIONS: mm		APVD S. CHIEN 11NOV2009	NAME PCI EXPRESS CARD EDGE CONNECTOR VERTICAL ,SLIM, DIP TYPE		
		PRODUCT SPEC 108-57787	RESTRICTED TO		
TOLERANCES UNLESS OTHERWISE SPECIFIED:		APPLICATION SPEC	SIZE	CAGE CODE	DRAWING NO
0 PLC ± -		—	A3	00779	C=2041612
1 PLC ± -		WEIGHT	SEE TABLE		
2 PLC ± -		CUSTOMER DRAWING	SCALE	SHEET	REV
3 PLC ± -			1:1	4 of 5	B5
4 PLC ± -					
ANGLES ± -					
FINISH					
-					

REVISIONS

P	LTR	DESCRIPTION	DATE	DWN	APVD
-	-	SEE SHEET 1	-	-	-

NOTES:

- MATERIAL
  - TRAY; ABS, COLOR: BLACK.
  - CARTON: CORRUGATED FIBER.
  - TRANSPARENT BAG: PE, SIZE: 500mm\*380mm\*0.06mm.
- EACH BAG SHALL BE INCLUDED:: \* DESICCANT
- DIMENSION
  - TRAY: 330mm(L) X 276mm(W) X 21mm(H)
  - BOX: 345mm(L) X 295mm(W) X 335mm(H)
- QUANTITY: SEE TABLE.
- WEIGHT: SEE TABLE.

POS NO.	PIECES PER TRAY	TRAYS PER BOX	PIECES PER BOX	NET WEIGHT (Kg)	GROSS WEIGHT (Kg)
164	66	14	924	5.7	11

D

C

B

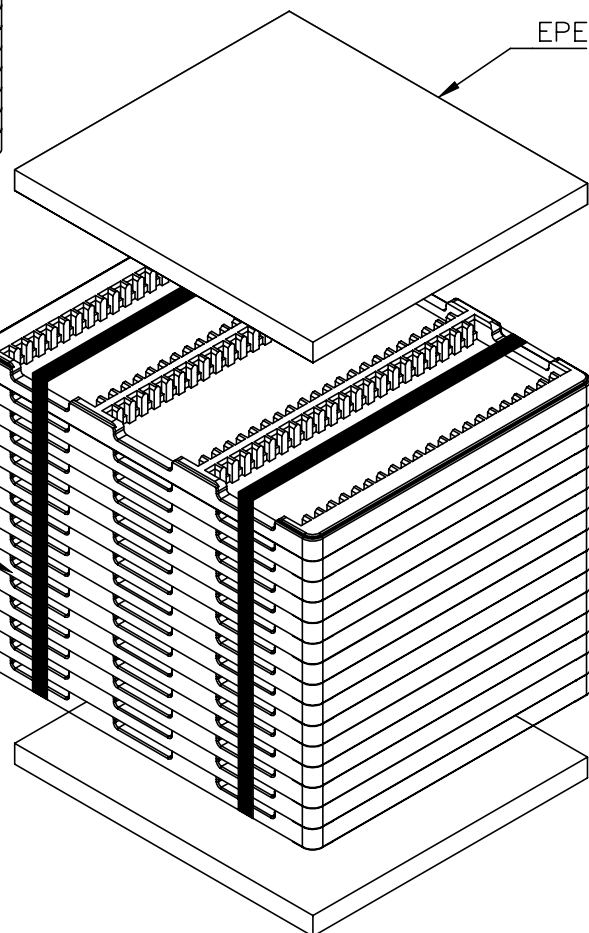
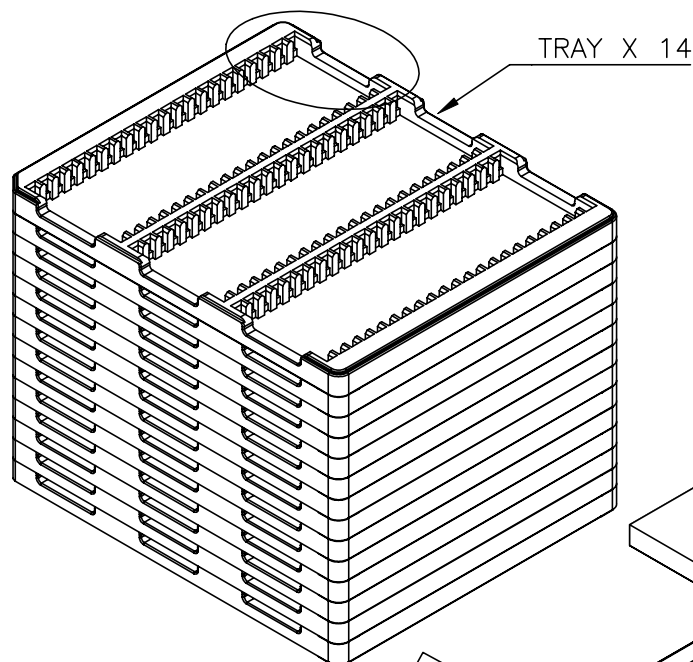
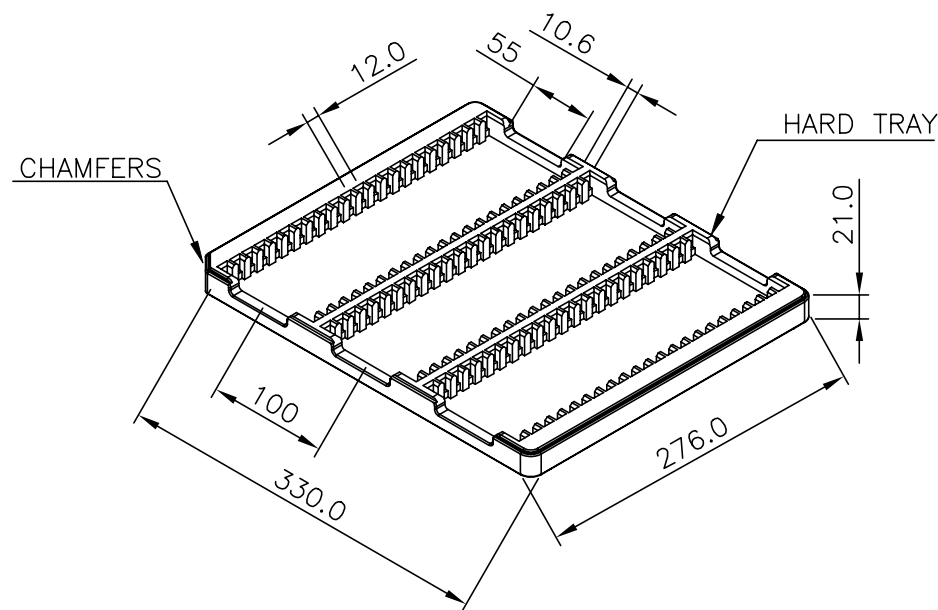
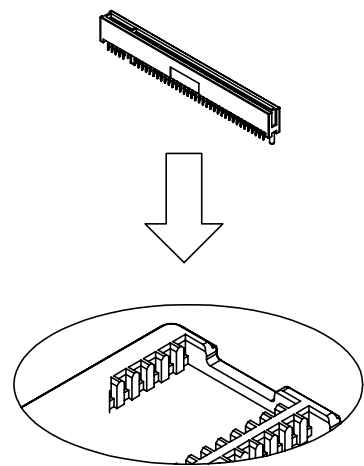
A

D

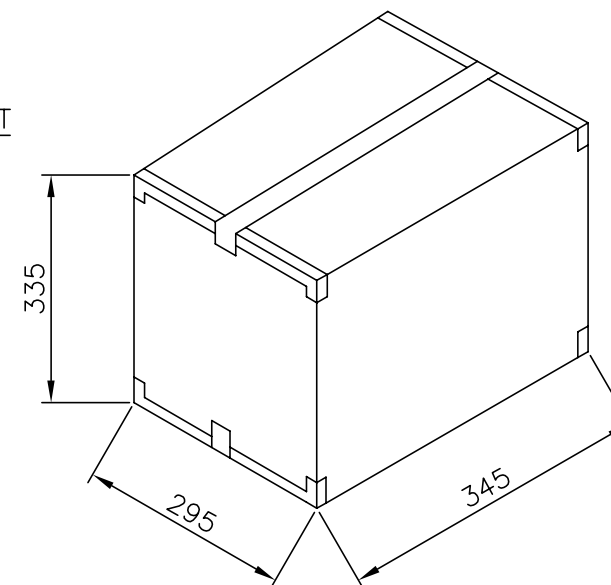
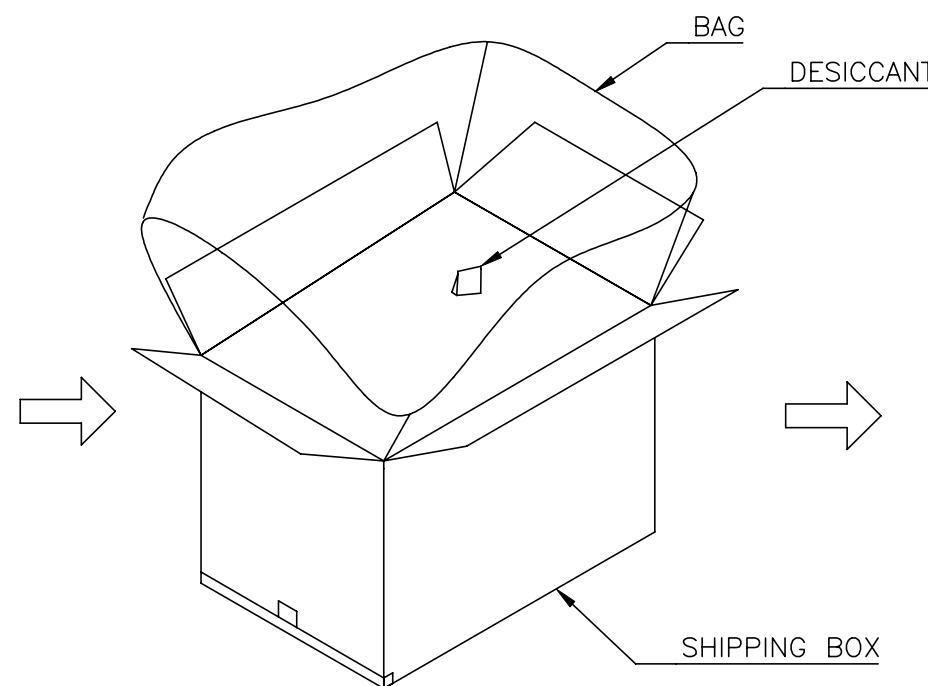
C

B

A



14 TRAY + 1 COVER TRAY



THIS DRAWING IS A CONTROLLED DOCUMENT.

DIMENSIONS:	TOLERANCES UNLESS OTHERWISE SPECIFIED:
mm	
	0 PLC ± -
	1 PLC ± -
	2 PLC ± -
	3 PLC ± -
	4 PLC ± -
	ANGLES ± -
MATERIAL	FINISH
-	-

DWN	E. LIU	11NOV2009
CHK	W. KODAMA	11NOV2009
APVD	S. CHIEN	11NOV2009
PRODUCT SPEC	108-57787	
APPLICATION SPEC	-	
WEIGHT	SEE TABLE	
CUSTOMER DRAWING		



NAME				PCI EXPRESS CARD EDGE CONNECTOR VERTICAL ,SLIM, DIP TYPE	
SIZE	CAGE CODE	DRAWING NO	RESTRICTED TO		
A3	00779	C=2041612	-		
SCALE		SHEET	REV		
1:1		5 of 5	B5		