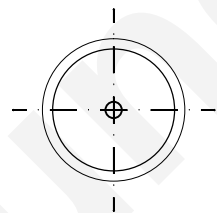
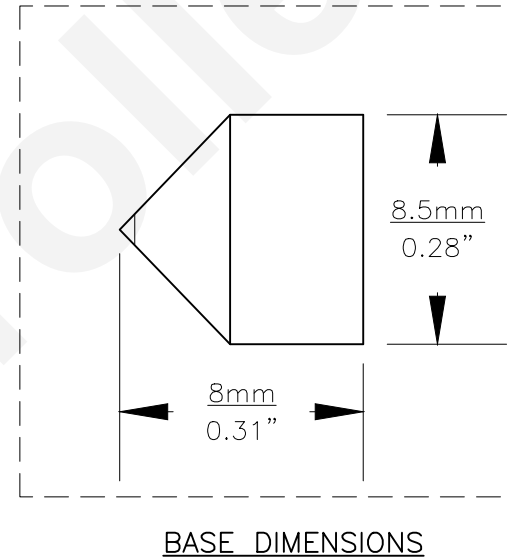
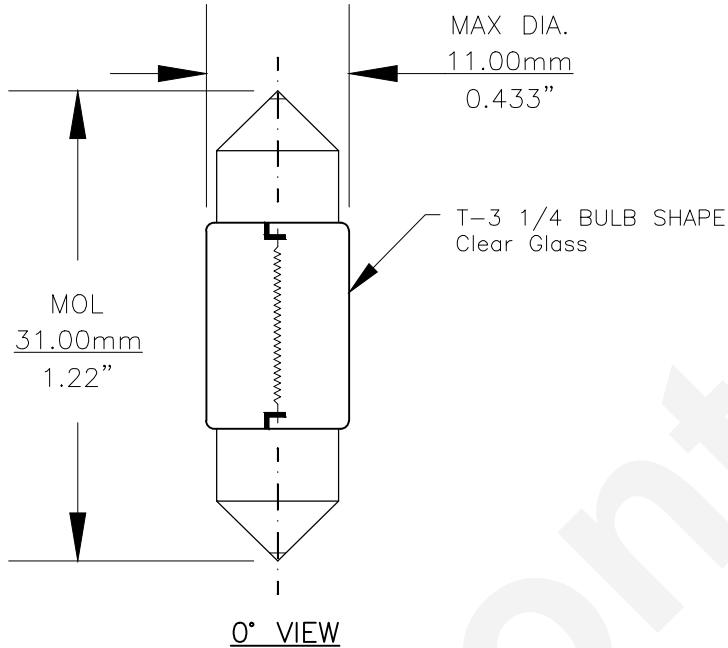




PART NO.	BASE TYPE	DESIGN VOLTS	DESIGN AMPS	MSCD	FILAMENT TYPE	AVERAGE LIFE HOURS	REVISIONS			
							REV #	DESCRIPTION	DATE	APPROVED
3175	FESTOON CAPS (SV8.5-8)	13.0V	0.77 ±15%	9.55 ±20%	C-8	400	1	ISSUED	06/22/2001	E.S.
							2	ADDITIONAL SPECS., UPDATE ADDRESS	05/25/2011	D.C.
							3	ADDITIONAL VIEWS	04/04/2016	R.M.



Note: Made according to SAE specifications

UNLESS OTHERWISE SPECIFIED: DIMENSIONS ARE IN INCHES TOLERANCES		CEC INDUSTRIES LTD			
DECIMALS	ANGULAR	599 BOND STREET		LINDOLNSHIRE, IL 60069	
.XX ± .05	± 0.5°				
.XXX ± .010					
FRACTIONAL	± 1/64				
DRAWN E. S.	DATE 06/22/2001	TITLE LIGHT BULB NO. 3175			
CHECKED	SIZE A	FSCM NO.	DWG NO. 3175	REV 3	
DESIGN	SCALE	PLOT SCALE	SHEET 1 OF 1		
MATERIAL	FILE 3175.pdf	DRAWING NOT TO SCALE			