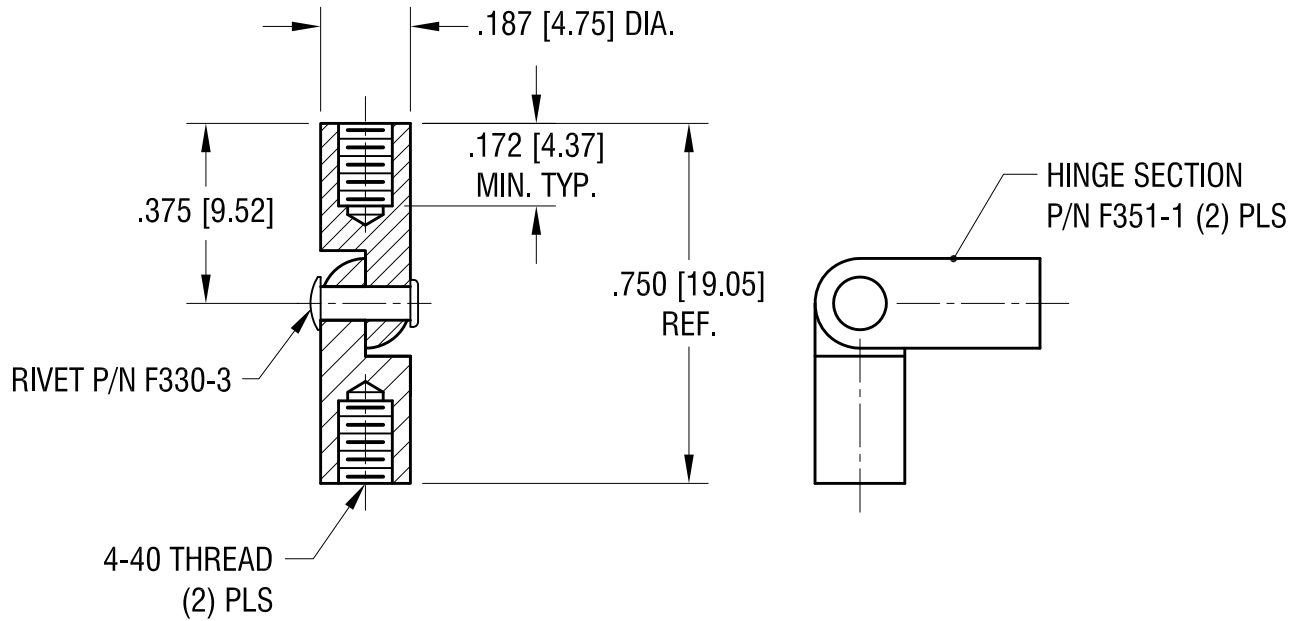


THIS DOCUMENT IS THE PROPERTY OF
KEYSTONE ELECTRONICS CORP. AND
SHALL NOT BE REPRODUCED, DISTRIBUTED
OR USED AS A BASIS FOR MANUFACTURE
WITHOUT PRIOR WRITTEN PERMISSION
FROM KEYSTONE ELECTRONICS CORP.

ACTUAL SIZE



KEYSTONE ELECTRONICS CORP.

www.keyelco.com • NEW HYDE PARK NY 11040 • Tel (516)328-7500

PART NAME

HINGED STANDOFF, FEMALE / FEMALE

MATERIAL

BRASS

FINISH

BRIGHT TIN

DRN BY

NT

DATE

9.08.08

APP'D

RH

SCALE

2.5X

TOLERANCES

INCH [MM]

DECIMAL

$\pm .005$ [± 0.13]

ANGULAR $\pm 1^\circ$

UNLESS OTHERWISE SPECIFIED

CODE

C

DWG NO.

351

1.03.23	ECN 23-013, PLATING WAS ZINC TRIVALENT YELLOW CHROMATE	B
9.08.08	PLATING WAS ZINC WITH YELLOW DYE CHANGE AS PER ECN 08-145	A
DATE	DESCRIPTION	REV.