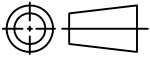
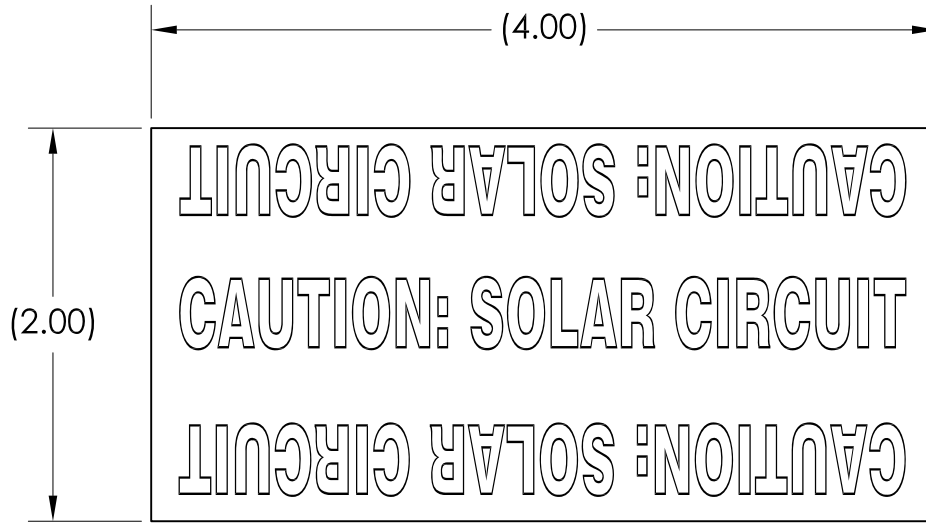


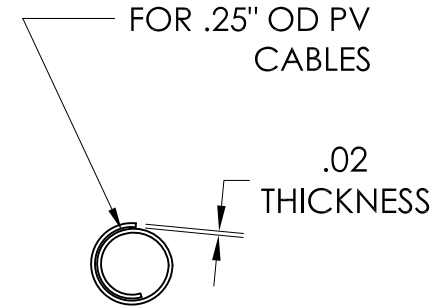
ACAD MECH
2010



Revision level		Revision Record	Changed	Date	Approved	Date
Drawing	Part					
00	-	SEE ECN# 011971	AAC	11/10/11	KAC	11/10/11



FLATTENED



AS RECEIVED

Material
UV STABLE REFLECTIVE
VINYL COILED

Units	inches
Dimension without tolerances details to:	
.XXXX	= ± .0005
.XXX	= ± .005
.XX	= ± .01
.X	= ± .03
None	= ± .06
<	= ± 0.5°

The copyright of this drawing is reserved by Hellermann Tyton. It is issued on condition that it is not reproduced, copied, or disclosed to a third party, either wholly or in part, without the consent of Hellermann Tyton.

Drawn	AAC	11/10/11
Approved	KAC	11/10/11
North America Email: corp@htamericas.com Web: www.hellermann.tyton.com		

Article/Type-No	CSCSNAP4	Scale	1:1	
Title	COILED, PRE-PRINTED, REFLECTIVE, NON-ADHESIVE CAUTION - SOLAR CIRCUIT MARKER		Project Number	PRP11-0745
Drawing-No	11-0745-002-CSU	Production : Phase	Format	AH
			Sheet	1/1