



ANATECH ELECTRONICS INC
RF & Microwave Filters & Products

2405 MHz Cavity Band Pass Filter

Part Number: AE2405B5403



Electrical Specifications

Center Frequency: 2405 MHz
3dB Bandwidth: 100 MHz
Insertion Loss: 3.0dB Max.
Return Loss: 14dB Min.
Rejection1: 50dB Min. @ 2200 MHz
Rejection2: 50dB Min. @ 2600 MHz
Impedance: 50 Ohms

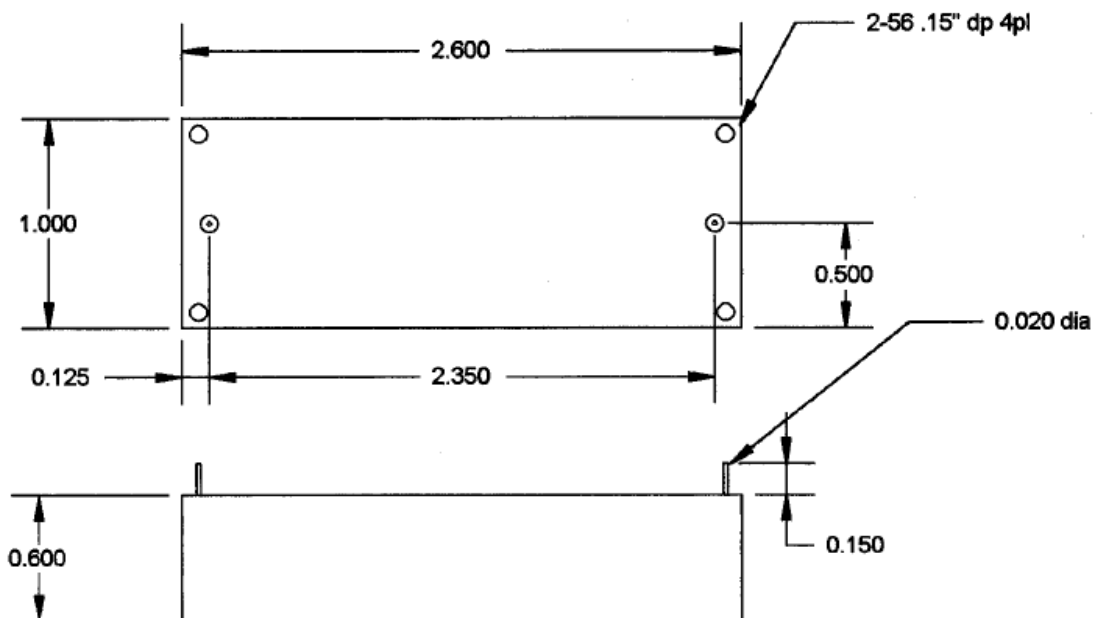
Mechanical

Connector Type: PC-Mount
Dimensions: 2.6" X 1.0" x 0.6" in.

Environmental

Operating Temperature: -25°C to +70°C
Storage Temperature: -40°C to +90°C
Shock: 20 G. 11ms
Vibration: 20 G. 5 to 200Hz

Outline Drawing:



2 decimal places: +/-0.01 inches [+/-0.3mm]
3 decimal places: +/-0.005 inches [+/-0.13mm]
Angles: +/-1 Deg.

When max dimensions are called out the above tolerances do not apply as long as it is under the max call out.



Response Plot:

