



PART NAME

NEMA DIE CAST ALUM. ENCLOSURE W/MTG. BRKT

PART No.

AN-2818-A &amp; AN-2818-AB

REVISION DATE

9-30-15

UL LISTED FOR U.S. AND CANADA - FILE #E194432

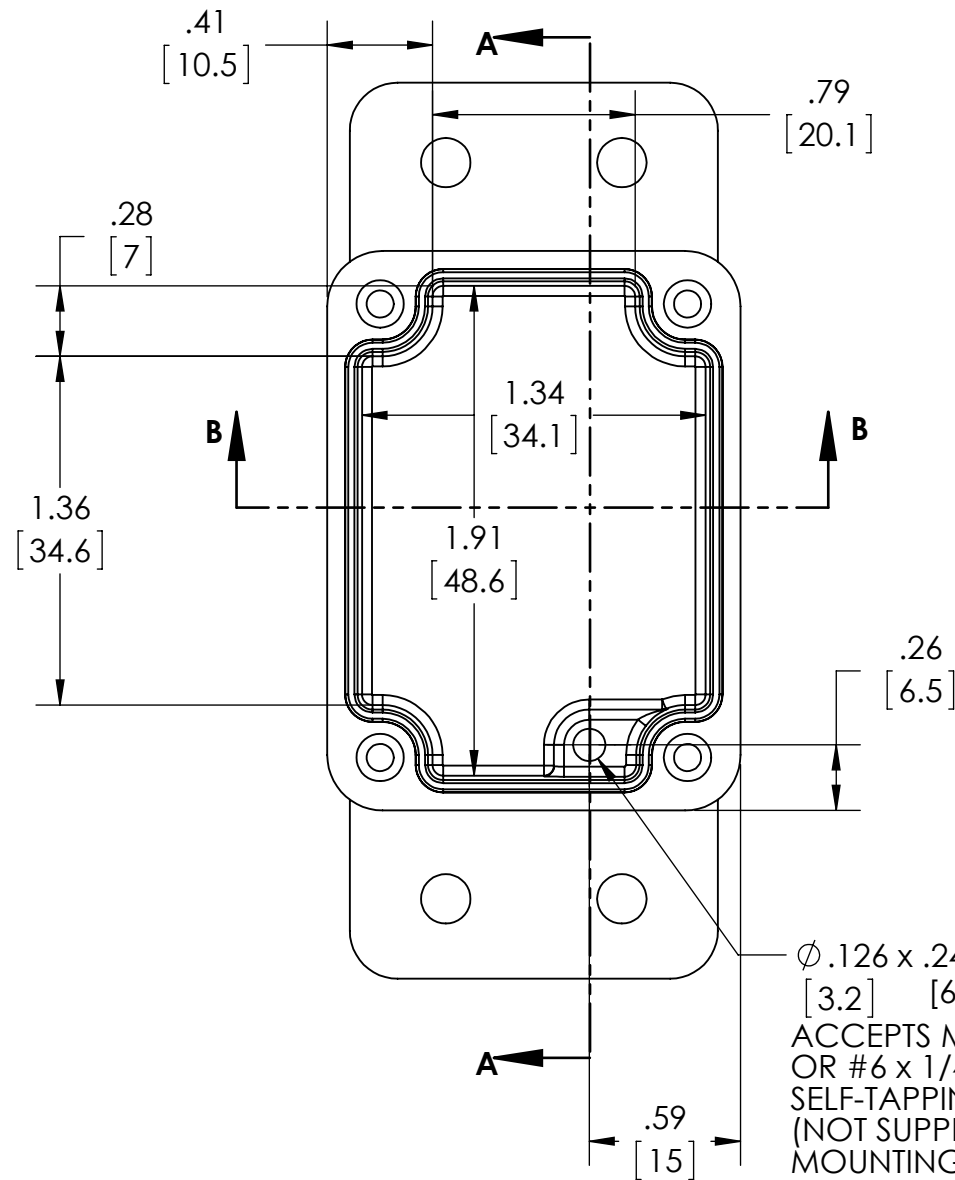
TYPE RATING 4, 4X, 6, 6P, 12 AND 13, COMPARE TO IP-68

80°C. MAXIMUM OPERATING TEMPERATURE

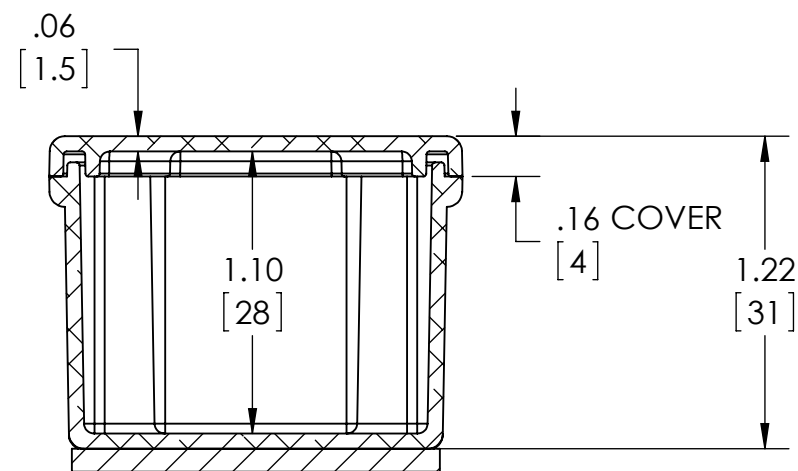
UPDATE REPLACES PART NO. AN-2818 &amp; AN-2818-B

**DRAWING FOR REFERENCE**

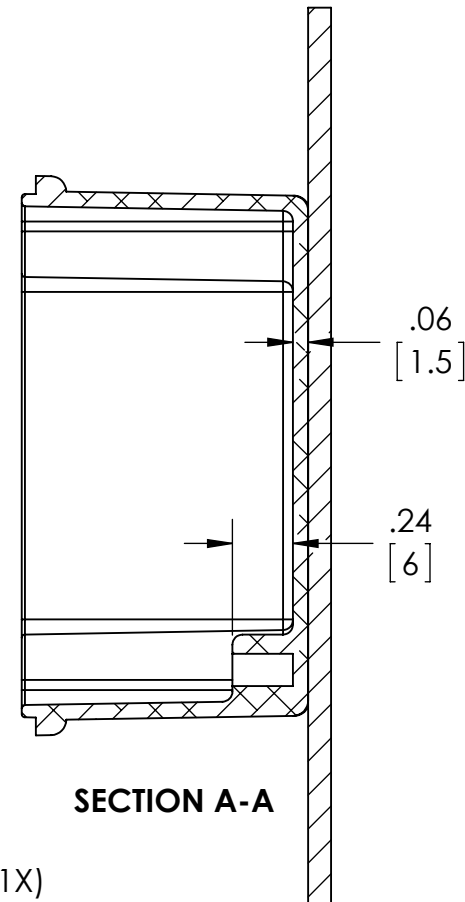
WE RESERVE THE RIGHT TO MAKE CHANGES TO OUR STANDARD PRODUCTS. PLEASE CONSULT WITH BUD INDUSTRIES PRIOR TO USING THIS DRAWING FOR DESIGN PURPOSE.



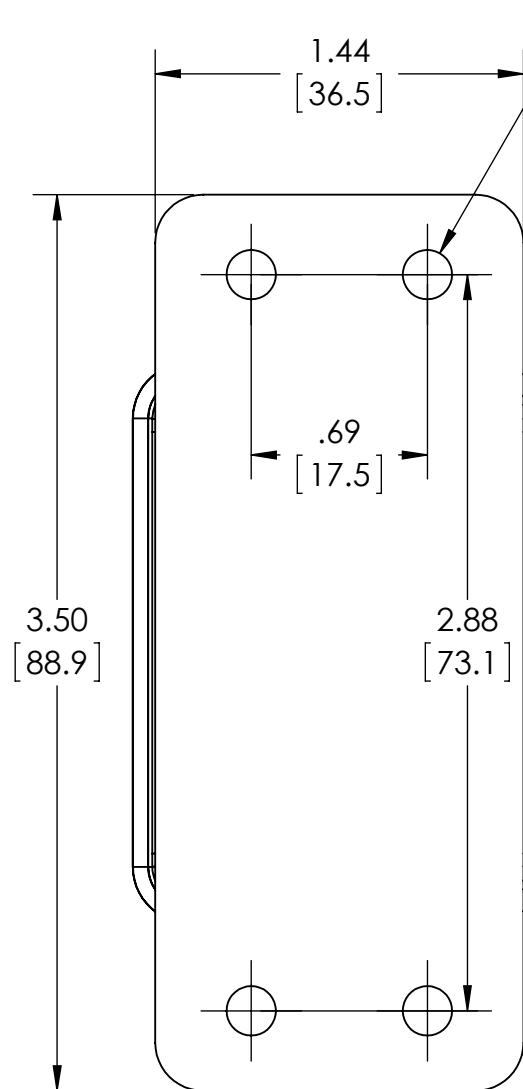
Ø .126 x .240 DEEP (1X)  
[3.2] [6.0]  
ACCEPTS M3.5 x 6mm LG.  
OR #6 x 1/4" LG.  
SELF-TAPPING SCREW  
(NOT SUPPLIED - FOR PCB  
MOUNTING)



SECTION B-B

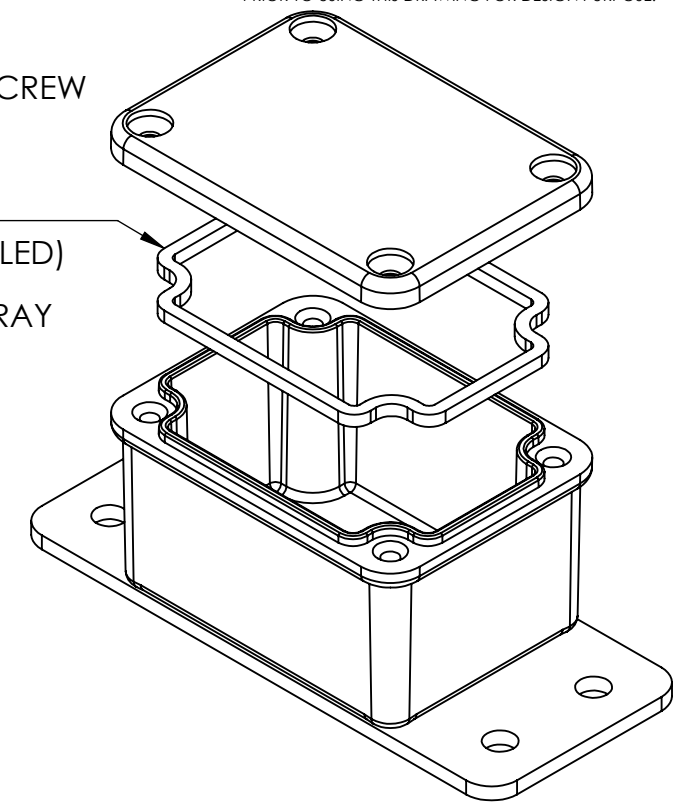
**BODY**  
COVER NOT SHOWN

SECTION A-A



Ø .193 (4X)  
[4.9]  
ACCEPTS #10 SCREW  
(NOT SUPPLIED)

GASKET  
(NOT INSTALLED)  
MOLDED  
SILICONE GRAY



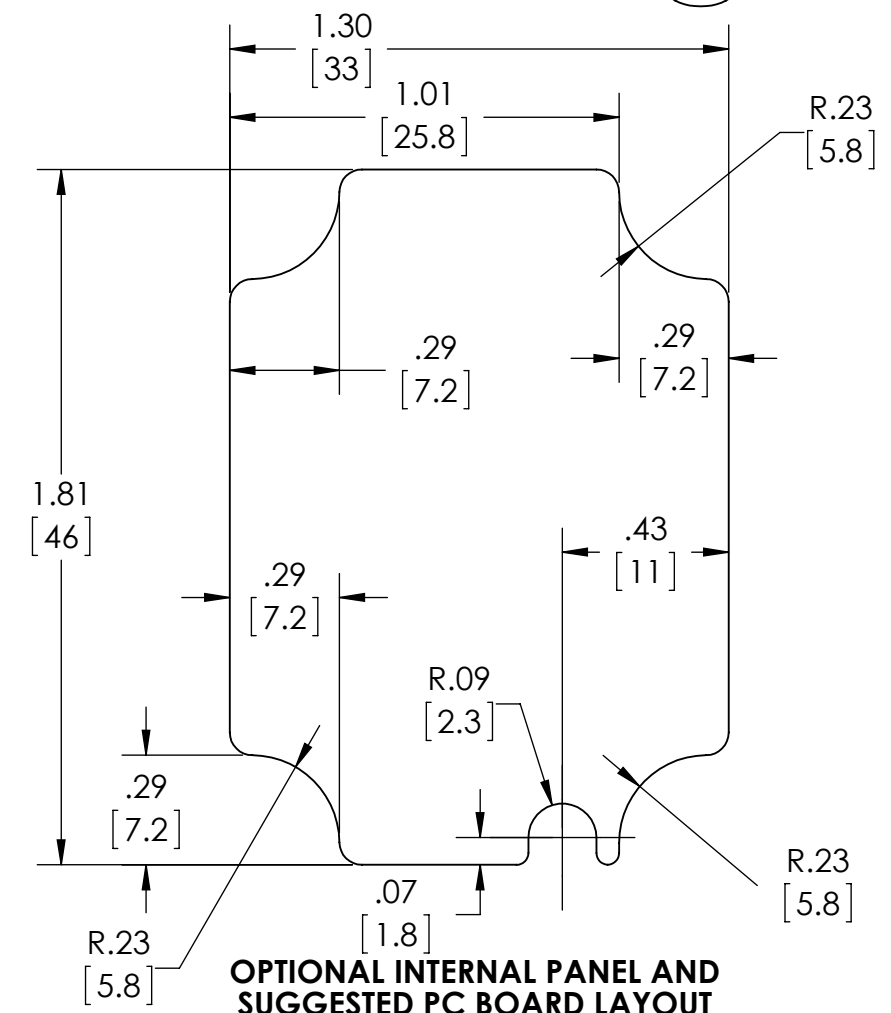
MATERIAL: BODY & COVER - ALUMINUM ALLOY #ADC-12  
MOUNTING BRACKET - .09 THK. ALUMINUM (3003-H14)

FINISH: NATURAL (SUFFIX -A)  
SMOOTH BLACK POWDERCOAT (SUFFIX -AB)

FOUR (4) M3x0.5 x 12mm (.47") LG. 90°CSK. HEAD  
STAINLESS STEEL CAPTIVE SCREWS SUPPLIED FOR  
ASSEMBLY OF COVER TO BODY. APPLY AT 12 IN./LB.  
OF TORQUE.

OUTSIDE AND INSIDE DRAFT ANGLE: 1°  
DIMENSIONS ARE INCH[MM]

OPTIONAL ACCESSORIES:  
PCB MOUNTING KIT #57-58  
INTERNAL PANEL #ANX-91318  
REPLACEMENT GASKET #1318GSKTSC

OPTIONAL INTERNAL PANEL AND  
SUGGESTED PC BOARD LAYOUT