

AR1084CHSST



Sample image

Order symbol: AR1084CHSST

Product nbr: 8561107

Description: PC Enclosure

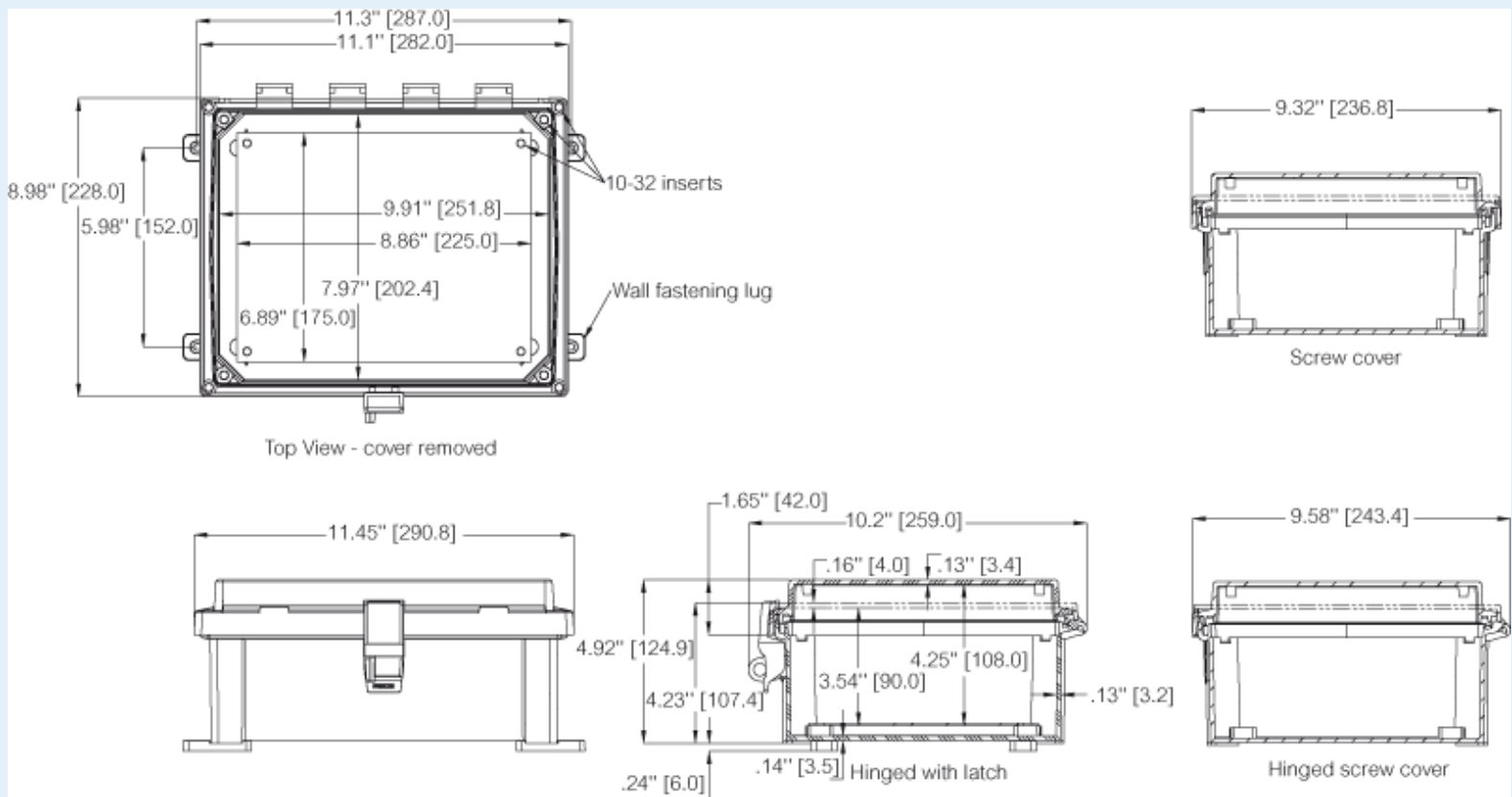
Remarks: Hinged transparent cover w/S.S. Quick release latch

EAN: 6418074067395

El. number:

- Finland:
- Denmark:
- Sweden:

Including: Hinged cover. Base with 10-32 brass inserts, latched cover with formed in place PUR gasket, stainless hinge pin. Quick release latches. Enclosure mounting foot kit. Accessory 10-32 screws for panel mounting.



| Dimensions: | Height | Width | Depth |
|-------------|--------|-------|-------|
| mm: | 254 | 203 | 102 |

| Accessories: |
|--|
| ASPHK10 Swing Panel Kit w/o Panel |

inch: 10 8 4

Materials:

Material: Polycarbonate
Base colour: RAL 7035 -light grey
Cover colour: Transparent
Gasket material: Polyurethane

Temperatures:

Temperature °C (short term):: -40 ... 140
Temperature °C (continuous): -40 ... 80
Temperature °F (short term): -40 ... 250
Temperature °F (continuous): -40 ... 175

ABP108 Painted Steel Back Panel
(226 x 175)
ADFP108 Dead Front Panel w/ screws
(208 x 256 x 0)
ASP108 Aluminum Swing Panel
(204.5 x 255 x 0)
ASPK108 Swing Panel Kit incl. Panel
ALBP108 Aluminum Back Panel
(226 x 175)
AMFL8 8" Mounting Flange Set
APBP108 PVC Back Panel
(226 x 175)

Rating:

Ingress protection (EN 60529): IP66; IP67;
Impact Resistance (EN 62262): IK09;
Electrical insulation: Not insulated
Halogen free (DIN/VDE 0472,
Part 815): 1
UV resistance: UL 508
Flammability Rating: UL 508
Glow Wire Test (IEC 695-2-1)
°C: 960 °C
NEMA Class NEMA 4, 4X, 6, 6P, 12, 12K
and 13

Certificates:

ARCA_CertificateofCompliance