

CKG45NX7R2E105M500JJ

TDK item description : CKG45NX7R2E105MT***

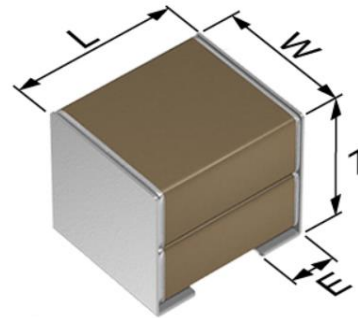


Application & Main Feature

Automotive grade (MEGACAP)

Series

CKG45N(4532) [EIA 1812]



Dimensions

L 5.00±0.50 mm
W 3.50±0.50 mm
T 5.00±0.50 mm
E 1.10±0.30 mm

Temperature Characteristic

X7R (-55 to +125 degC, ±15%)

Rated Voltage

2E (250Vdc)

Capacitance

1μF

Capacitance Tolerance

M (±20%)

DF

3 % max.

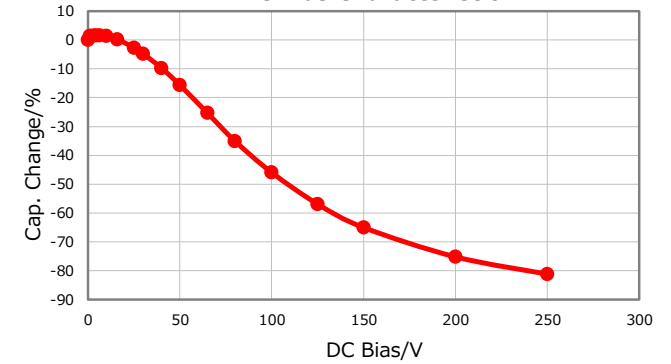
Insulation Resistance

500 Mohm min.

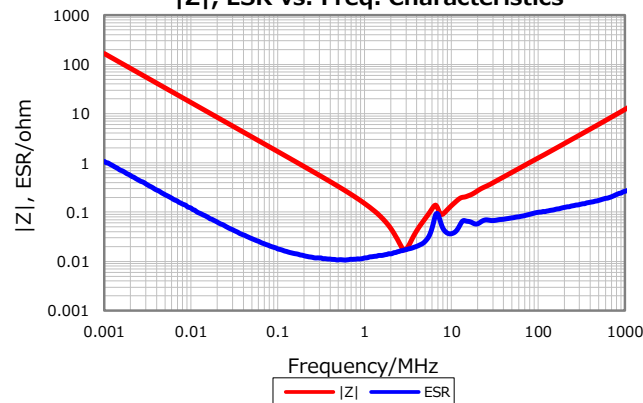
AEC-Q200

Yes

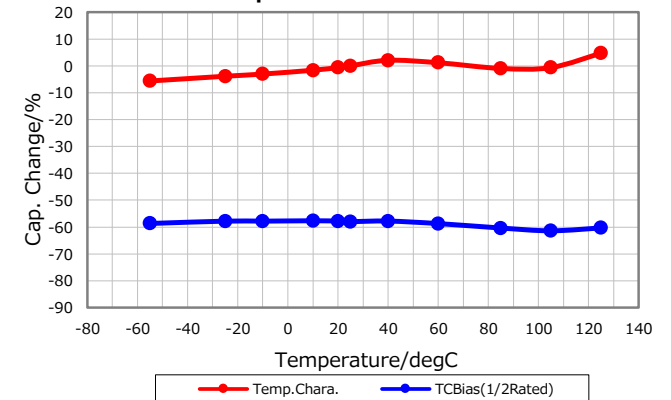
DC Bias Characteristic



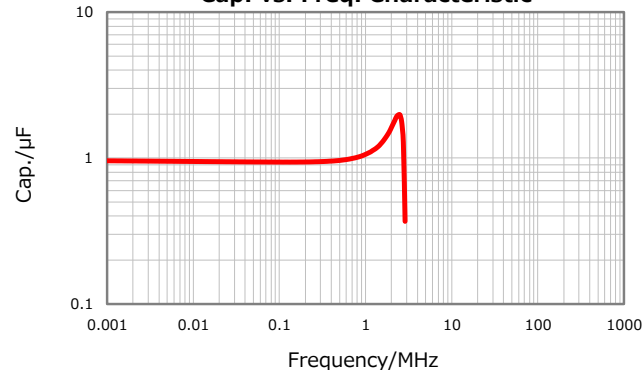
|Z|, ESR vs. Freq. Characteristics



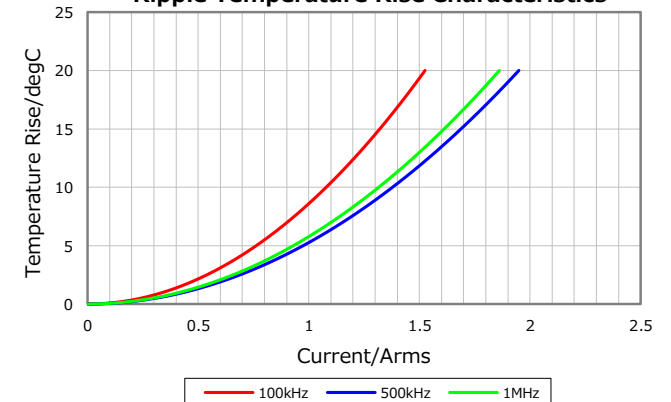
Temperature Characteristics



Cap. vs. Freq. Characteristic



Ripple Temperature Rise Characteristics



Characterization Sheet (Multilayer Ceramic Chip Capacitors)



All specifications are subject to change without notice.

April 10, 2022