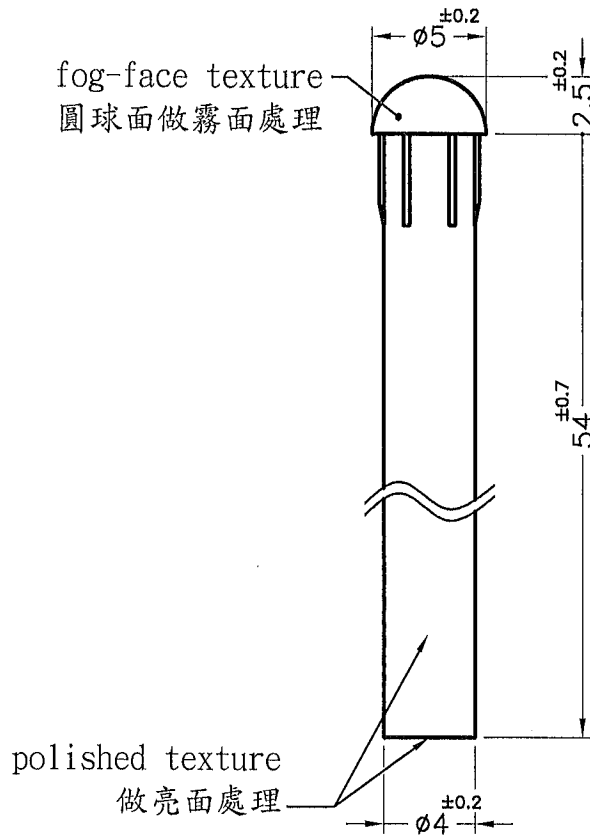
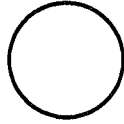

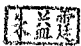


REVISIONS			
REV	DESCRIPTION	DATE	BY



MOUNTING HOLE $\phi 4.3$

NOTE: MADE OF EQUIVALENT MATERIAL.
 使用同等材質

 <p> 康揚企業股份有限公司 KANG YANG HARDWARE ENTERPRISE CO., LTD. 康揚塑膠(東莞)有限公司 KANG YANG PLASTIC(DONG GUAN) CO., LTD. 康哲電腦配件(吳江)有限公司 KANG CHE COMPUTER COMPONENTS(WUJIANG) CO., LTD. </p>	TITLE		LED LIGHT PIPE	SPEC. DWG.	
	MATERIAL		PC UL94V-2	DATE	2015.05.28
	FINISH			DRAWN	LUKE
	COLOR		TRANSPARENT	CHECK	
PART NUMBER	DRAWING NUMBER		UNLESS OTHERWISE SPECIFIED TOLERANCE		
LEM-202	LEM-202		SEE ABOVE		
SIZE	SCALE	UNIT	REV	APPROVED	
A4	3:1	mm	A	