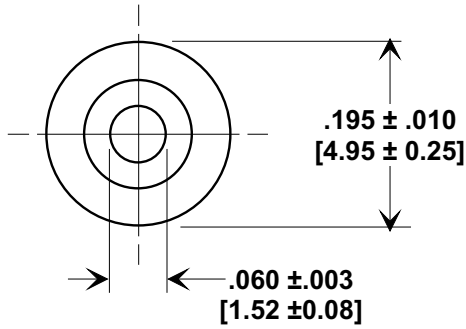
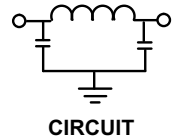
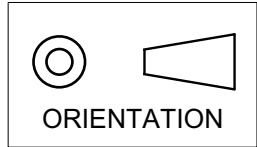


**MARKETING SALES DRAWING**

**DIMENSIONS IN INCHES - DO NOT SCALE THIS DRAWING**  
**DIMENSIONS IN METRIC - [ ]**

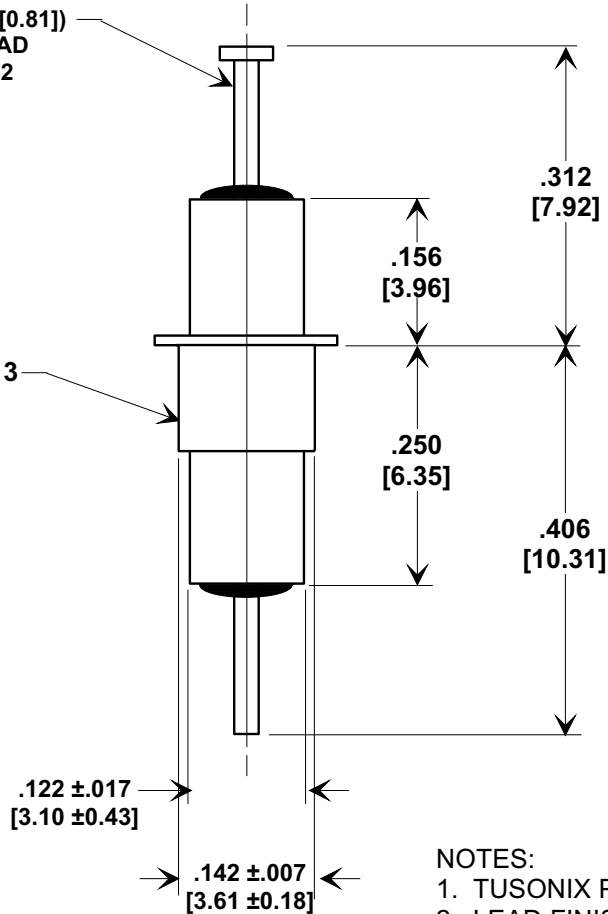
This drawing is the property of Tusonix, Inc., and may not be used, reproduced, published or disclosed to others without expressed authorization by Tusonix Inc.

**Electrical Testing**  
**per Tusonix standard**  
**test plans and Mil-Std-202**  
**Test Methods.**



#20 AWG. (.032 [0.81])  
 COPPER LEAD  
 SEE NOTE 2

SEE NOTE 3



**NOTES:**

1. TUSONIX PART NUMBER: 4101-504.
2. LEAD FINISH: 60/40 SOLDER PLATED.
3. EYELET FINISH: 60/40 SOLDER PLATED.

| MIN. CAP. pF | 85°C Working Voltage | Current IDC | Minimum No Load Insertion Loss (dB) at 25°C per Mil-Std-220 |         |       |        |
|--------------|----------------------|-------------|---|---------|-------|--------|
|              |                      |             | 10 MHz  | 100 MHz | 1 GHz | 10 GHz |
| 5500         | 200 VDC<br>200 VAC   | 10 A        | 15  | 55      | 70    | 70     |

|   |  |  |                 |               |       |
|---|--|--|-----------------|---------------|-------|
| X-2015 Rev-0<br>REVISION RECORD<br>Original Release<br>C.O. 20080716-3-01 | 0  | --TOLERANCES--<br>Unless Otherwise Specified | Title           |               |       |
|   | <b>EMI FILTER</b><br><b>M15733/51-0001</b> |  |                 |               |       |
|   | DECIMAL ± .031[0.79]                       |  | Drawn           | S.M. 07-17-08 | Scale |
|   | ANGLES ±                                   |  | Approved        | R.L. 07-17-08 | 5 X   |
| <b>TUSONIX</b><br>TUCSON, ARIZONA   |  | <b>A</b>                                     | <b>4101-504</b> |               |       |