

Test Procedure for the NCV97311MW50AGEVB Evaluation Board

Introduction: The NCV97311 is 3-output regulator consisting of a low-Iq battery-connected 3 A 2 MHz non-synchronous switcher and two low-voltage 1.5 A 2 MHz synchronous switchers; all using integrated power transistors. The high-voltage switcher is capable of converting a 4.1 V to 18 V battery input to a 5 V output at a constant 2 MHz switching frequency, delivering up to 3 A.

Test Procedure:

1. Connect a DC input voltage, within the 6.0 V to 36 V range, between VBAT and GND.
2. Connect a load (< 150 mA) between VOUT1 and GND.
3. Connect a DC enable voltage, within the 2.0 V to 36 V range, between EN and GND. This will enable the internal LDO for low Iq mode. You may use jumper J1 to connect EN directly to VBAT.
 - a. The VOUT1 signal should be 5.0 V.
 - b. The VOUT2 signal should be disabled (regardless of EN2 state) and read 0 V.
 - c. The VOUT3 signal should be disabled (regardless of EN3 state) and read 0 V.
4. Connect a DC enable voltage, within the 2.0 V to 36 V range, between STBYB and GND. This will exit low Iq mode and power up switcher 1. You may use jumper J2 to connect STBYB directly to VBAT. The VOUT1 signal should still be 5.0 V. You may now add a higher load to VOUT1.
5. Connect a DC enable voltage, within the 2.0 V to 6 V range, between EN2 and GND. This will power up switcher 2. You may use jumper J4 to connect EN2 directly to VOUT1. The VOUT2 signal should be 3.3 V.
6. Connect a DC enable voltage, within the 2.0 V to 6 V range, between EN3 and GND. This will power up switcher 3. You may use jumper J3 to connect EN3 directly to VOUT1. The VOUT3 signal should be 1.2 V.

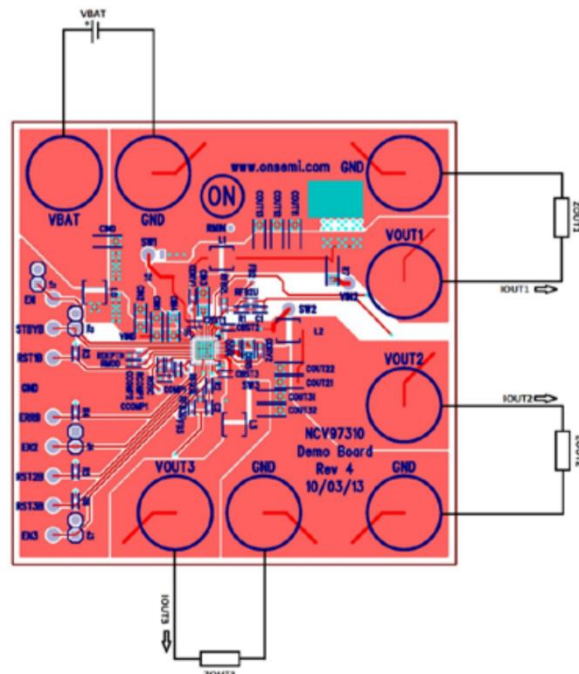


Figure 1: NCV97311MW50AGEVB Board Connections