

6

5

4

3

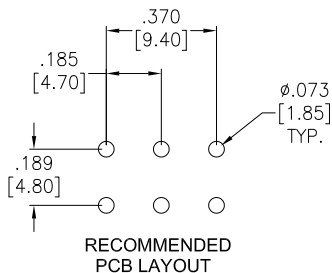
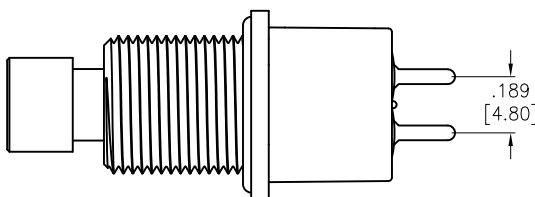
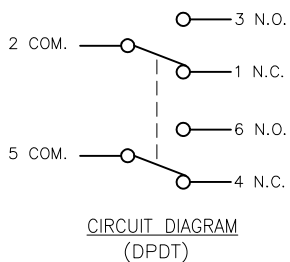
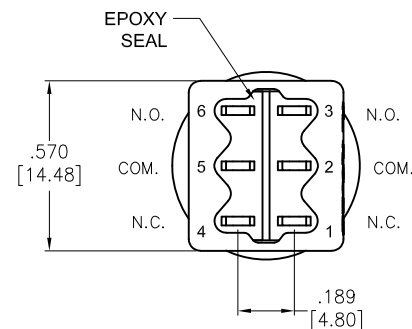
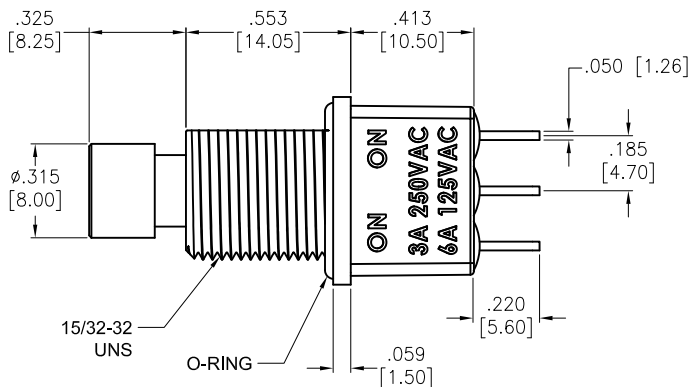
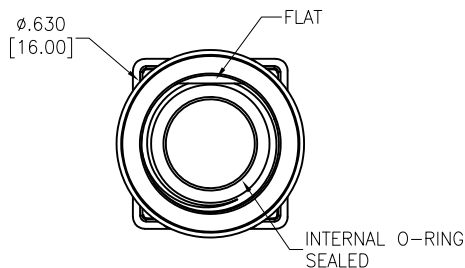
2

1

APPROVED: \_\_\_\_\_

DATE: \_\_\_\_\_ TITLE: \_\_\_\_\_

Rev	AWO #	Description	Date	Appr
-		RELEASED	1/26/21	



BUTTON POSITION		
FUNCTION	ON	ON
TERMINALS	2-3, 5-6	2-1, 5-4

**SPECIFICATIONS:**

**Material:**

Case: DAP, Rated UL94V-0

Plunger: Brass, color Black w/ O-Ring

Bushing: Brass, color Black w/ O-Ring

Movable Contact: Copper Alloy, Silver Plated

Terminal: Copper Alloy, Silver Plated

**Electrical:**

Rating: 6A @ 125VAC or 28V DC

3A @ 250VAC

Contact resistance: 10 mΩ max

Insulation resistance: 1,000 Mohms min

Dielectric withstanding voltage: 1,500V RMS @Sea level

Life: 50,000 cycles at full load

Temperature Rating:

Operating temperature: -30°C to +85°C

**Environmental:**

Sealed IP68 Rated

Lead free, RoHS compliant



UNLESS OTHERWISE SPECIFIED  
ALL DIMENSIONS ARE INCHES [MM]  
TOLERANCES: EXCEPT AS NOTED

.X	± .10	∅X	± .10
.XX	± .020	∅.XX	± .015
.XXX	± .015	∅.XXX	± .010



909 Rahway Avenue,  
Union, NJ 07083  
Phone: 908-687-5000  
Fax: 908-687-5710

TITLE  
HIGH PERFORMANCE PUSH BUTTON SWITCH,  
DPDT, ON-ON, SILVER PLATED, PCB TAILS

APPROVALS		DATE
DRAWN	LH	1/26/21
CHECKED	AC	1/26/21
APPROVED		

SIZE X	PART NO. SW-PB10-BAA2QE-4	REV. -
REF: S00198T	SCALE: NTS	SHEET 1 OF 1

6

5

4

3

2

1