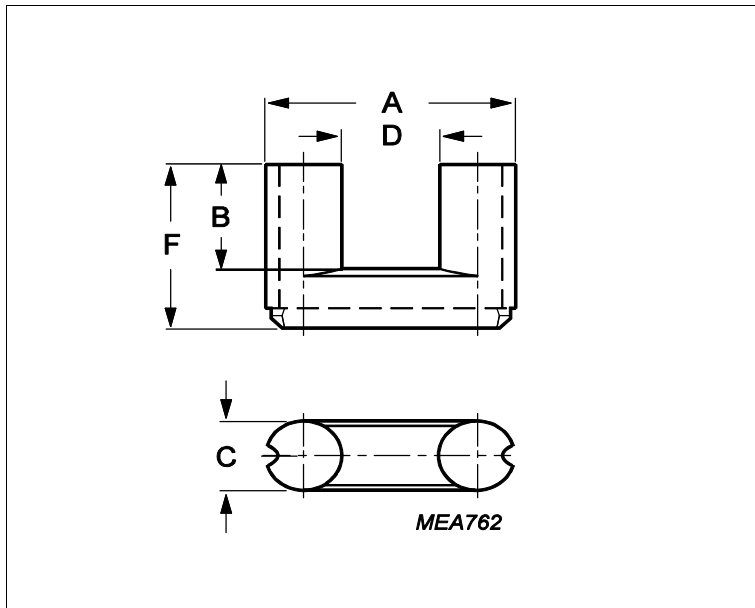


## Core **UR42/21/12**



| Effective parameters |                  |       |                  |
|----------------------|------------------|-------|------------------|
|                      | Parameter        | Value | Unit             |
| $\Sigma(I/A)$        | core factor (C1) | 1.09  | mm <sup>-1</sup> |
| <b>Ve</b>            | effective volume | 11800 | mm <sup>3</sup>  |
| <b>Le</b>            | effective length | 113   | mm               |
| <b>Ae</b>            | effective area   | 104   | mm <sup>2</sup>  |
| <b>Amin</b>          | minimum area     |       | mm <sup>2</sup>  |
| <b>m</b>             | UR42/21/12       | ≈ 31  | g/pcs            |

| Dimensions for product: UR42/21/12 |       |       |       |       |       |      |
|------------------------------------|-------|-------|-------|-------|-------|------|
|                                    | Nom   | Tol + | Tol - | Max   | Min   | Unit |
| <b>A</b>                           | 41.80 | 0.80  | 0.80  | 42.60 | 41.00 | mm   |
| <b>B</b>                           | 11.10 | 0.20  | 0.20  | 11.30 | 10.90 | mm   |
| <b>C</b>                           | 11.94 | 0.25  | 0.25  | 12.19 | 11.69 | mm   |
| <b>D</b>                           | 18.80 | 0.56  | 0.56  | 19.36 | 18.24 | mm   |
| <b>F</b>                           | 20.60 | 0.13  | 0.13  | 20.73 | 20.47 | mm   |

| Inductance factor |       |       |       |                       |
|-------------------|-------|-------|-------|-----------------------|
| Material          | Value | Tol + | Tol - | Unit                  |
| 3C90              | 2400  | 25%   | 25%   | nH/turns <sup>2</sup> |

| Power loss: 3C90     |        |        |       |       |
|----------------------|--------|--------|-------|-------|
| Measuring conditions |        |        | Max   | Unit  |
| 25 kHz               | 200 mT | 100 °C | 1.400 | W/set |

| Bsat                 |         |        |          |     |      |
|----------------------|---------|--------|----------|-----|------|
| Measuring conditions |         |        | Material | Min | Unit |
| 10 kHz               | 250 A/m | 100 °C | 3C90     | 320 | mT   |