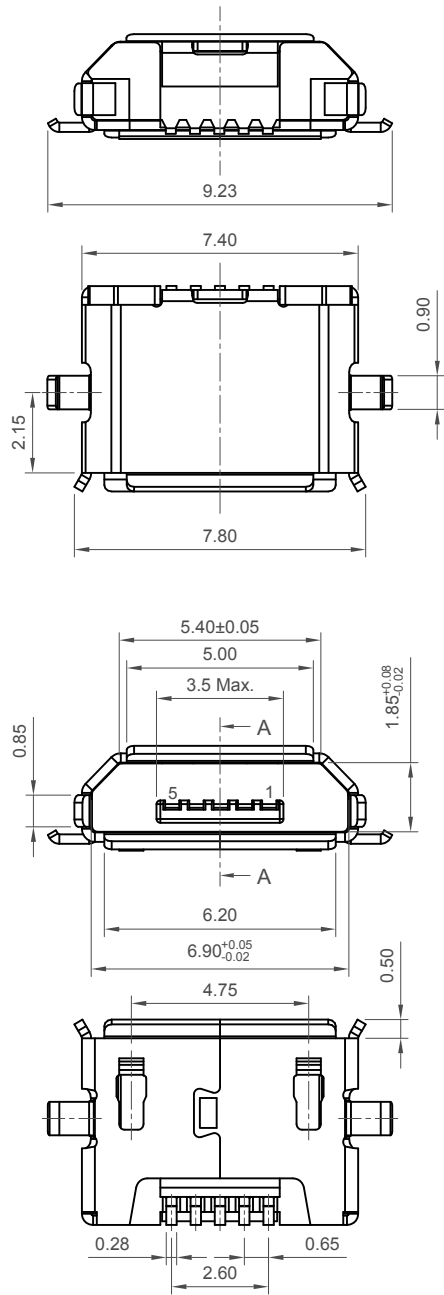
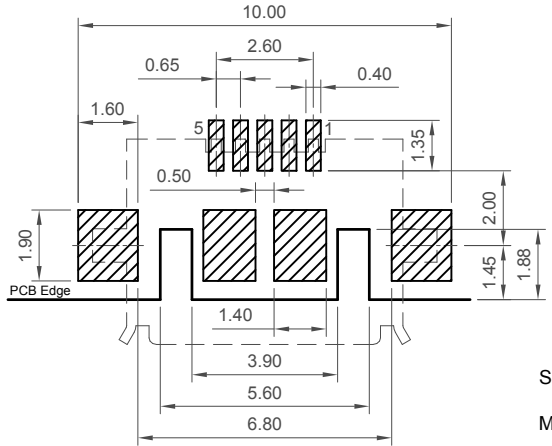
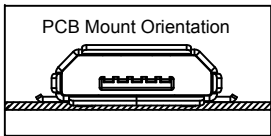


H
G
F
E
D
C
B
A

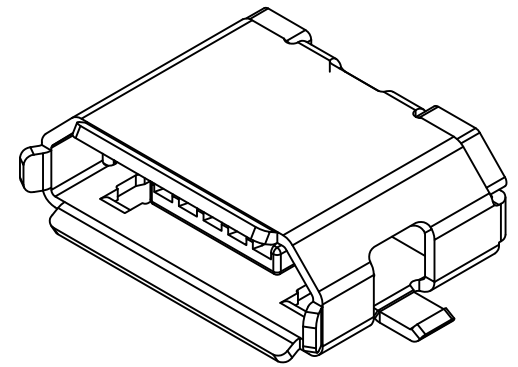
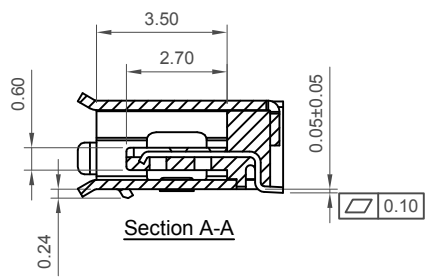
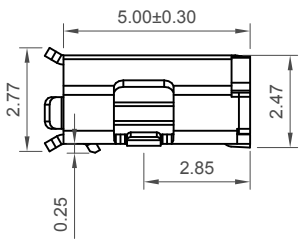


Designed to comply with physical, electrical and environmental requirements of Micro USB Standard (USB2.0).



Recommended PCB Layout
As viewed from component side
General Tolerance: ±0.05

▨ Solder Area □ Component Outline



Specifications

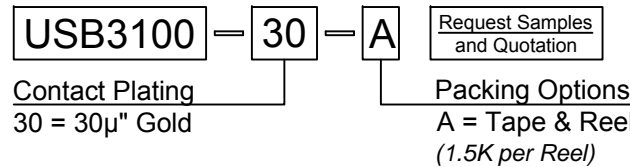
Material
Plastic Housing: LCP, UL94V-0, Black (E106764)
Contact Terminal: Copper Alloy
Metallic Shell: Stainless Steel, SUS 304, T = 0.25mm

Electrical
Voltage Rating: 30 V AC
Current Rating: Signal (Pins 2,3,4):1.0A.
Power (Pins 1,5):1.8A.
Operating Temperature: -30°C to +85°C
Contact Resistance: 30mΩ max.
Insulating Resistance: 1000MΩ min.
Dielectric Withstand Voltage: 500V AC/Minute

Plating
Contact Terminal:
Contact Area: 30μ" Gold plating
Solder Tails: Gold Flash
Underplating: 50μ" Nickel
Metallic Shell: Matte Tin

Mechanical & Environmental
Mating Force: 35N max.
Unmating Force: 10N min.
Durability: 10,000 Cycles

Ordering Grid



Part Number		Product Description	
USB3100		Micro USB Receptacle, Type B, Surface Mount, Horizontal, Top (Reverse) Mount, without Peg	
Drawing Date		1st June 2012	
By	CC	Tolerances (Except as Noted)	Units:
Detail	USB3100 B PCN	Length X.X ± 0.2 X.XX ± 0.10 X.XXX ± 0.05	Angle X.X° ± 2° X.XX° ± 1° X.XXX° ± 0.5°
Revision	B5		Metric (mm)
Date	19/06/18		3rd Angle Projection



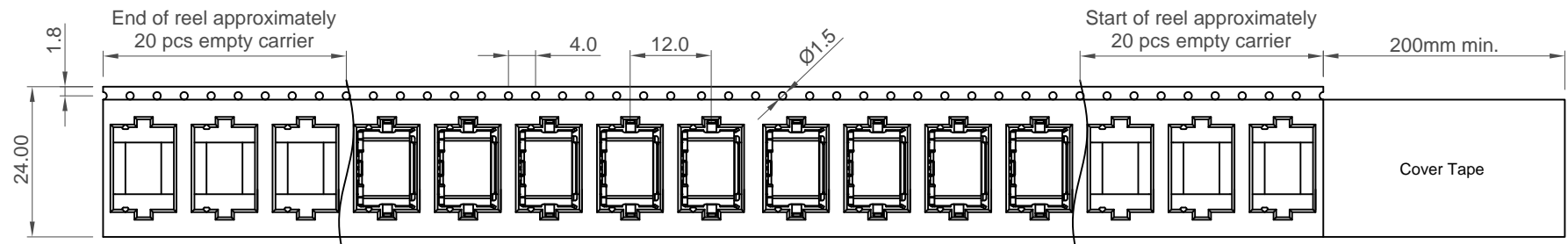
This drawing is confidential and copyright of Global Connector Technology, Ltd (GCT). This drawing must not be copied or disclosed without written consent. E & OE



Not to Scale	Drawn By ASE	Sheet No. 1/2
--------------	--------------	---------------

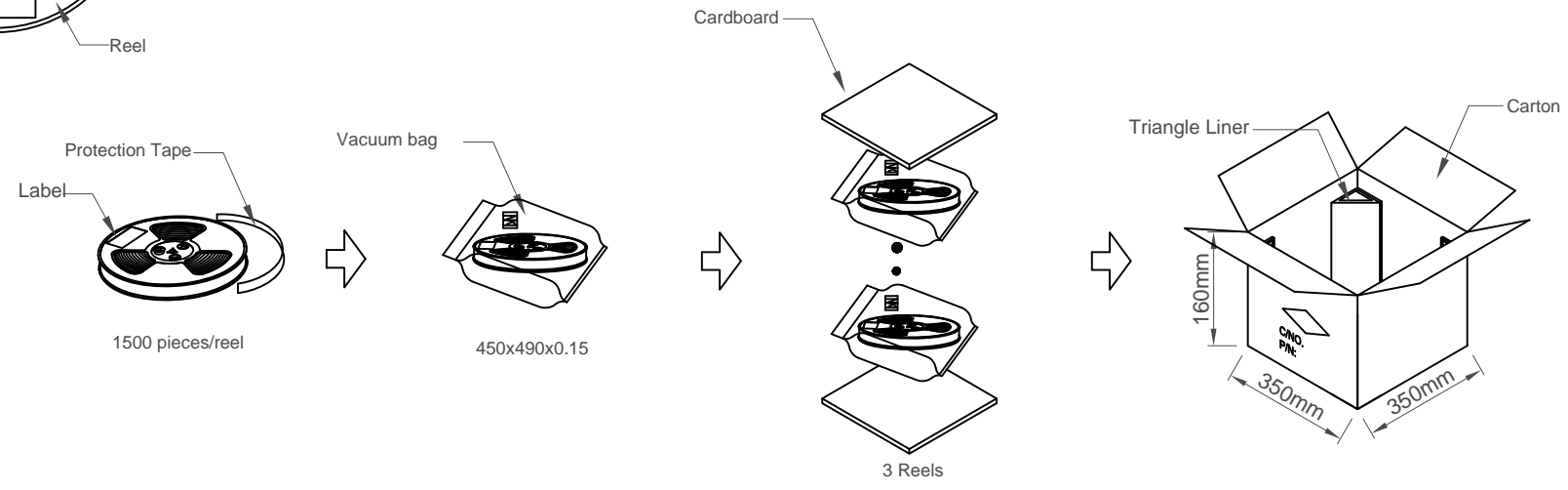
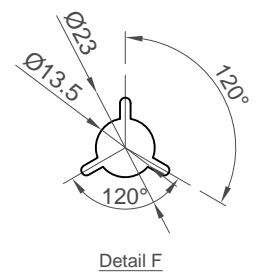
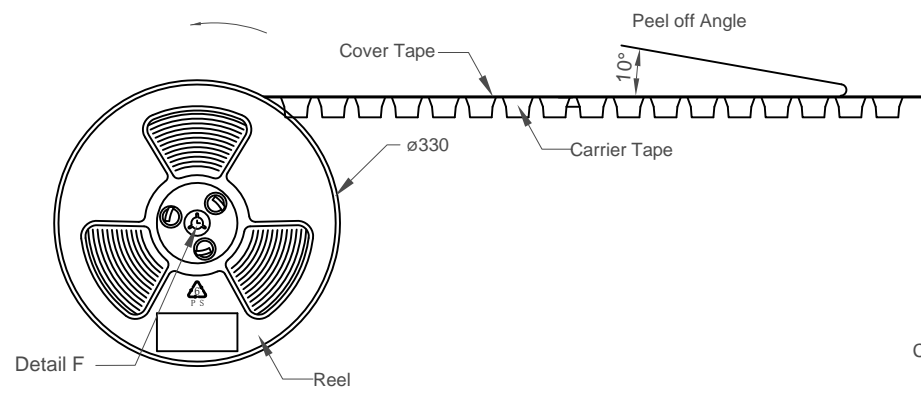
1 2 3 4 5 6 7 8

H
G
F
E
D
C
B
A



Products P/N	PCS/Reel	Reels/Carton	PCS/Carton
USB3100	1500	3	4500

- Notes:
1. Peeling off force of top tape: 0.1-1.3N
 2. Part Conforms to EIA-481-C Standards
 3. All dimensions in millimeters
 4. 10 sprocket hole pitch cumulative tolerance \pm 0.2mm



Part Number		Product Description	
USB3100		Micro USB Receptacle, Type B, Surface Mount, Horizontal, Top (Reverse) Mount, without Peg	
Drawing Date		1st June 2012	
By	CC	Tolerances (Except as Noted)	Units:
Detail	USB3100 B PCN	Length X.X \pm 0.5 X.XX \pm 0.30 X.XXX \pm 0.20	Metric (mm)
Revision	B5	Angle X.X° \pm 2° X.XX° \pm 1° X.XXX° \pm 0.5°	3rd Angle Projection
Date	19/06/18		



This drawing is confidential and copyright of Global Connector Technology, Ltd (GCT). This drawing must not be copied or disclosed without written consent. E & OE



Not to Scale	Drawn By ASE	Sheet No. 2/2
--------------	--------------	---------------

1 2 3 4 5 6 7 8