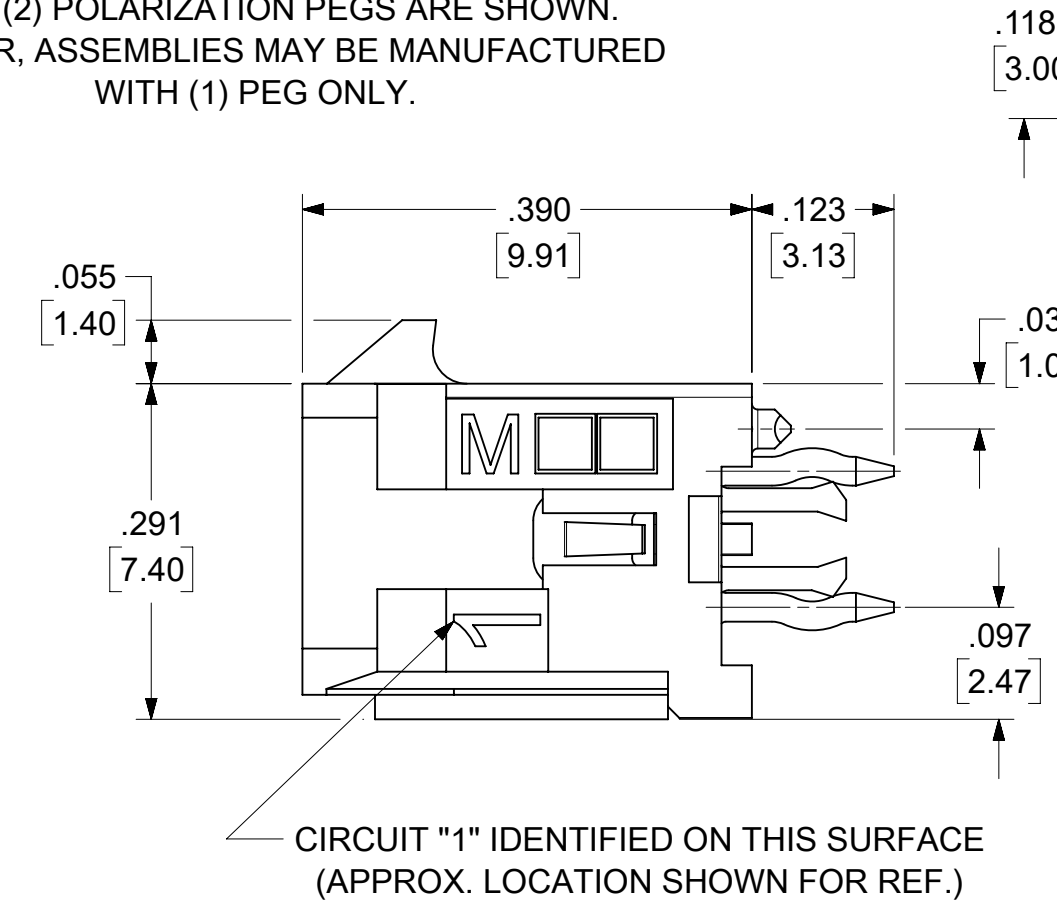
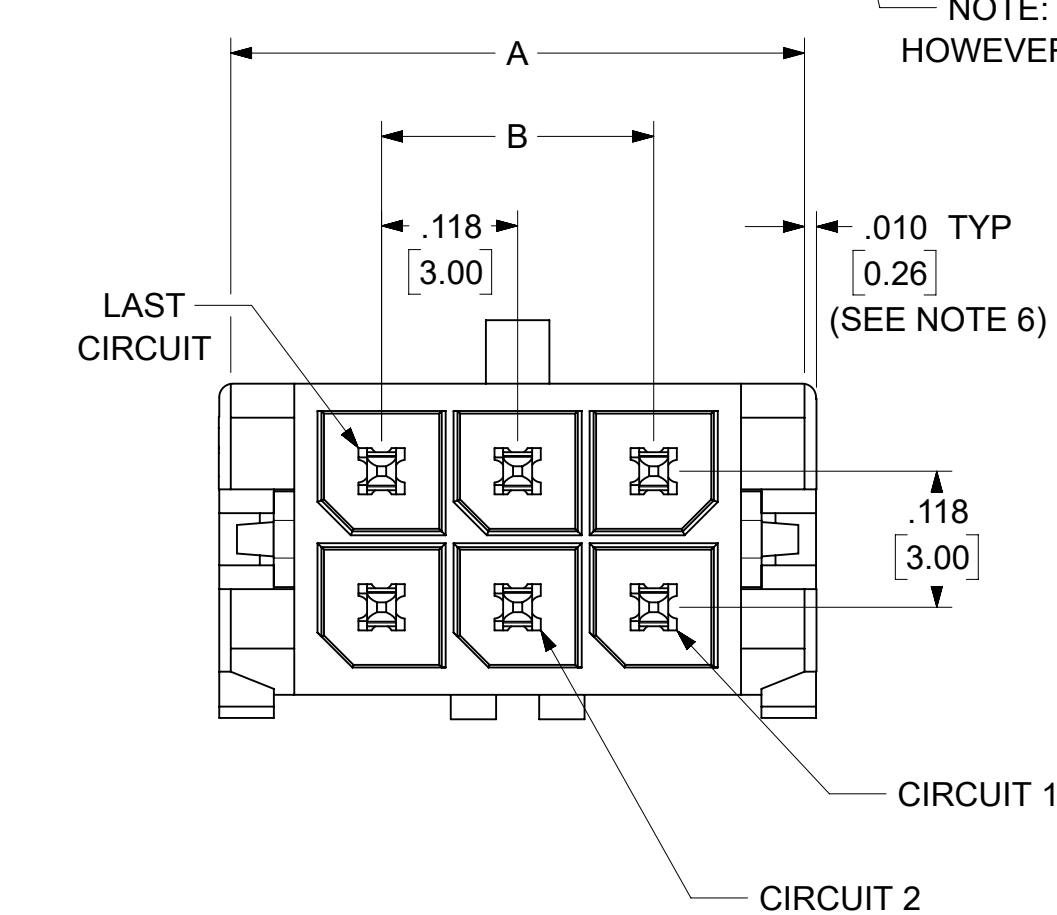
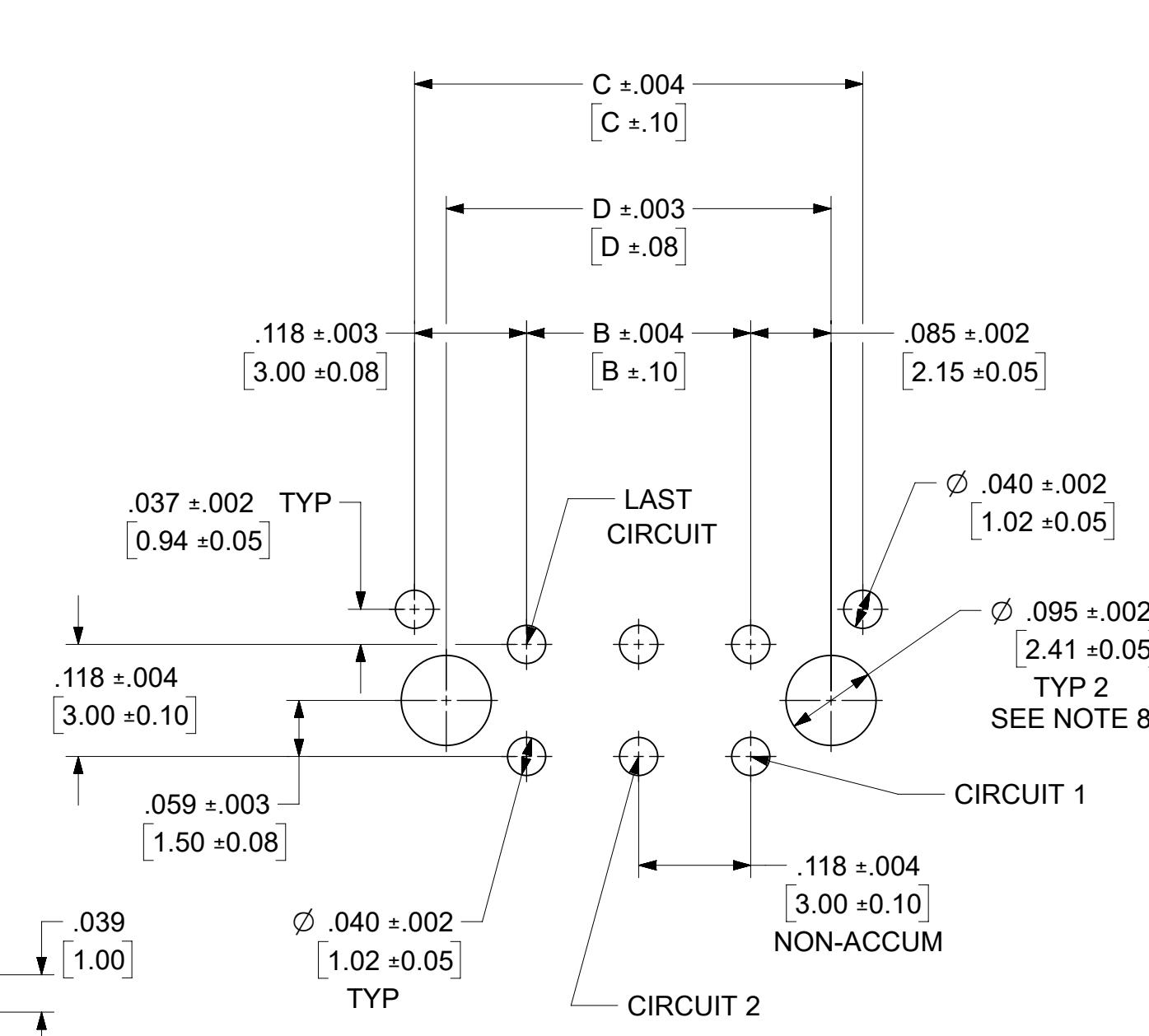


NOTE: (2) POLARIZATION PEGS ARE SHOWN. HOWEVER, ASSEMBLIES MAY BE MANUFACTURED WITH (1) PEG ONLY.

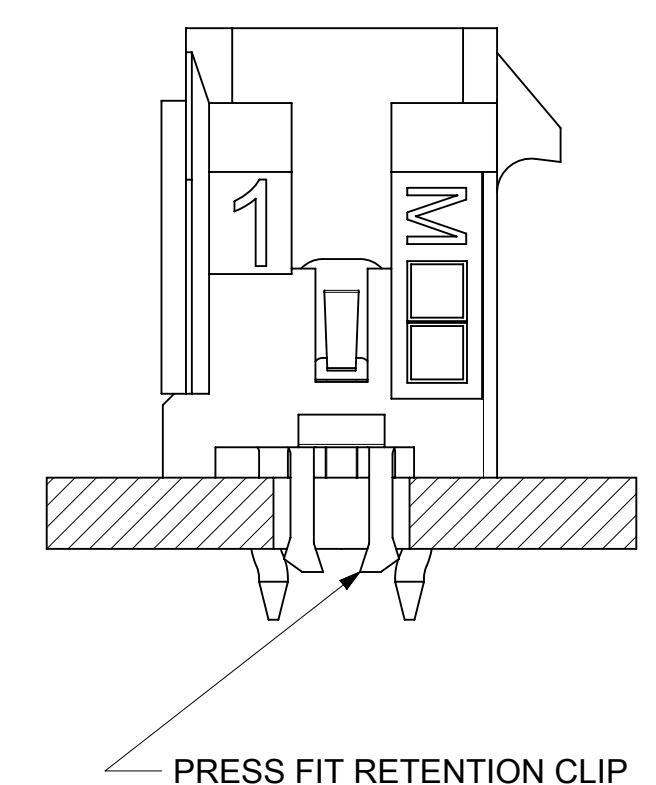


CIRCUIT "1" IDENTIFIED ON THIS SURFACE (APPROX. LOCATION SHOWN FOR REF.)



PCB LAYOUT: COMPONENT SIDE
RECOMMEND PCB THICKNESS .062/1.57

| CKTS | A | B | C | D |
|------|-------|-------|-------|-------|
| 02 | .262 | NA | .236 | .169 |
| 04 | .380 | .118 | .354 | .287 |
| 06 | .498 | .236 | .472 | .405 |
| 08 | .616 | .354 | .591 | .524 |
| 10 | .734 | .472 | .709 | .642 |
| 12 | .852 | .591 | .827 | .760 |
| 14 | .970 | .709 | .945 | .878 |
| 16 | 1.088 | .827 | 1.063 | .996 |
| 18 | 1.206 | .945 | 1.181 | 1.114 |
| 20 | 1.325 | 1.063 | 1.299 | 1.232 |
| 22 | 1.443 | 1.181 | 1.417 | 1.350 |
| 24 | 1.561 | 1.299 | 1.535 | 1.469 |
| | 39.65 | 33.00 | 39.00 | 37.30 |



PRESS FIT RETENTION CLIP

NOTES:

- HOUSING MATERIAL: GLASS FILLED LIQUID CRYSTAL POLYMER, UL94V-0, COLOR: BLACK
TERMINAL MATERIAL: BRASS ALLOY
- FINISH: A = .000060/(0.00152) MIN. REFLOWED MATTE TIN OVER .000050/(0.00127) MIN. NICKEL PLATE. (FINISH IS BRIGHT IN APPEARANCE, THICKNESS AS APPLIED PRIOR TO REFLOW)
B = .000015/(0.00038) MIN. SELECT GOLD IN CONTACT AREA; .000100/(0.00254) MIN. SELECT MATTE TIN ON SOLDER TAILS; BOTH OVER .000050/(0.00127) MIN. NICKEL PLATE.
C = .000030/(0.00076) MIN. SELECT GOLD IN CONTACT AREA; .000100/(0.00254) MIN. SELECT MATTE TIN ON SOLDER TAILS; BOTH OVER .000050/(0.00127) MIN. NICKEL PLATE.
D = .000100/(0.00254) MIN. MATTE TIN OVER .000050/(0.00127) MIN. NICKEL PLATE.
- PRODUCT SPECIFICATION: PS-43045
- TRAY PACKAGED: SEE MOLEX DRAWING PK-70873-0314
- MATES WITH MICRO FIT (3.0) RECEPTACLE SERIES 43025
- CIRCUIT SIZES 2-6: "D" IS .265/6.74 FOR .010/0.25 STEP
CIRCUIT SIZES 8-24: "D" IS .063/1.60 FOR .010/0.25 STEP.
- THIS PART CONFORMS TO CLASS B REQUIREMENTS OF COSMETIC SPECIFICATION PS-45499-002.
- FOR BEST RETENTION TO PCB, HOLES FOR CLIPS SHOULD BE PTH AND CLIPS SHOULD BE SOLDERED
- TEXT ON PART IS FOR REFERENCE ONLY. TEXT AND TEXT LOCATION MAY VARY DEPENDING ON PART NUMBER AND/OR TOOL

| | FINISH A | FINISH B | FINISH C | FINISH D |
|------|--------------|--------------|--------------|--------------|
| CKTS | MATERIAL NO: | MATERIAL NO: | MATERIAL NO: | MATERIAL NO: |
| 02 | 43045-0224 | 43045-0225 | 43045-0226 | 43045-0304 |
| 04 | 43045-0424 | 43045-0425 | 43045-0426 | 43045-0504 |
| 06 | 43045-0624 | 43045-0625 | 43045-0626 | 43045-0704 |
| 08 | 43045-0824 | 43045-0825 | 43045-0826 | 43045-0904 |
| 10 | 43045-1024 | 43045-1025 | 43045-1026 | 43045-1104 |
| 12 | 43045-1224 | 43045-1225 | 43045-1226 | 43045-1304 |
| 14 | 43045-1424 | 43045-1425 | 43045-1426 | 43045-1504 |
| 16 | 43045-1624 | 43045-1625 | 43045-1626 | 43045-1704 |
| 18 | 43045-1824 | 43045-1825 | 43045-1826 | 43045-1904 |
| 20 | 43045-2024 | 43045-2025 | 43045-2026 | 43045-2104 |
| 22 | 43045-2224 | 43045-2225 | 43045-2226 | 43045-2304 |
| 24 | 43045-2424 | 43045-2425 | 43045-2426 | 43045-2504 |

| | | | | |
|--|---|------------------------|--|----------------|
| FUNCTIONAL SYMBOLS | THIS DRAWING CONTAINS INFORMATION THAT IS PROPRIETARY TO MOLEX ELECTRONIC TECHNOLOGIES, LLC AND SHOULD NOT BE USED WITHOUT WRITTEN PERMISSION | | CURRENT REV DESC: REDRAWN, ADD NOTES 8 AND 9 | |
| | DIMENSION UNITS | SCALE | | |
| $F_A = 0$ | INCH/MM | NTS | | |
| $F_C = 0$ | GENERAL TOLERANCES (UNLESS SPECIFIED) | | | |
| $F_P = 0$ | | MM | INCH | |
| DIVISIONAL SYMBOLS | 4 PLACES | ± | ± | |
| | 3 PLACES | ± | ± 0.01 | |
| | 2 PLACES | ± 0.25 | ± 0.014 | |
| | 1 PLACE | ± 0.36 | ± | |
| | 0 PLACES | ± | ± | |
| | ANGULAR TOL | ± 0.5° | | |
| DRAFT WHERE APPLICABLE MUST REMAIN WITHIN DIMENSIONS | | THIRD ANGLE PROJECTION | | DRAWING SERIES |
| | | | | C-SIZE 43045 |

| | | | |
|-------------------|--|------------|--|
| EC NO: 736143 | | 2022/12/16 | |
| DRWN: SETHH6 | | 2023/01/24 | |
| CHK'D: MKIPPER | | 2023/01/26 | |
| APPR: FSMITH | | | |
| INITIAL REVISION: | | | |
| DRWN: KSAMIEC | | 2000/04/06 | |
| APPR: REDGLEA | | 2000/12/07 | |

| | | | | |
|-----------------|----------------|--------------|----------|----------|
| DOCUMENT NUMBER | | DOC TYPE | DOC PART | REVISION |
| SD-43045-009 | | PSD | 001 | H5 |
| MATERIAL NUMBER | CUSTOMER | SHEET NUMBER | | |
| SEE CHART | GENERAL MARKET | 1 OF 1 | | |