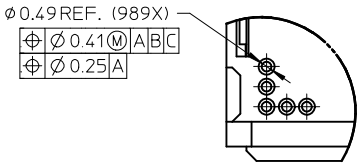
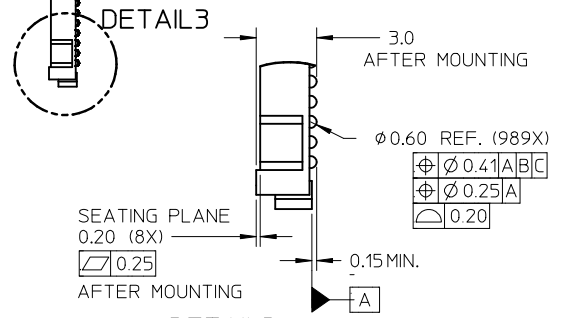
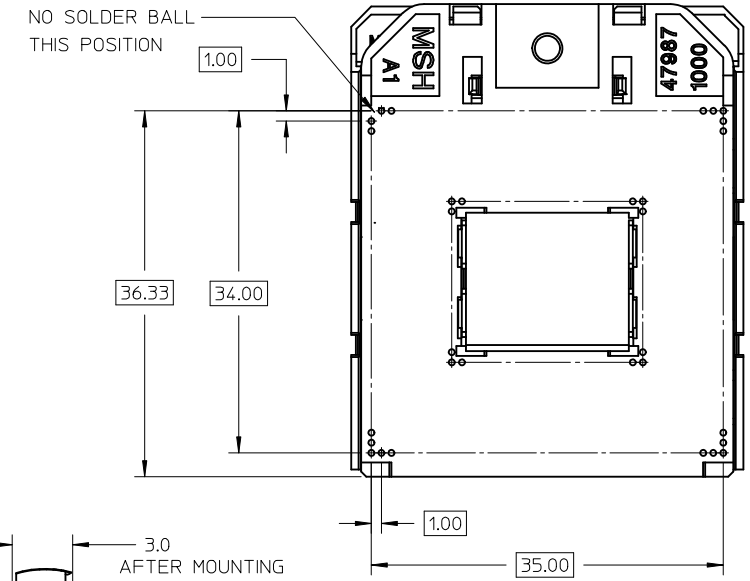


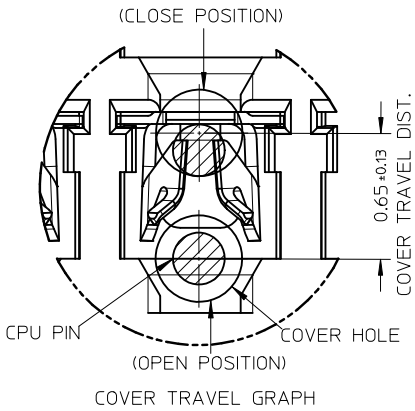
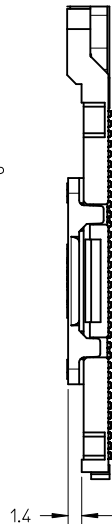
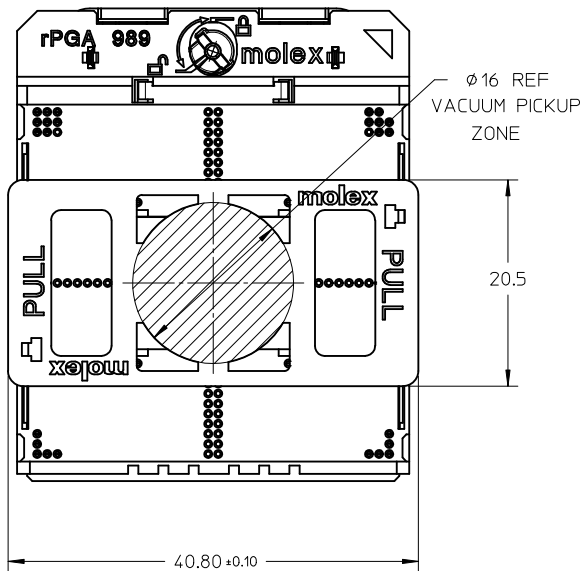
- NOTES:
- 1) THIS SOCKET COMPLIES WITH ALL SPECIFICATIONS AND PERFORMANCE REQUIREMENTS FOR INTEL rPGA98X SERIES CPU PROCESSORS.
  - 2) SOCKET SHOWN IN OPEN POSITION.
  - 3) SEE SHEET 2 FOR DETAILS PERTAINING TO KEYING, MATERIAL AND PACKAGING OPTIONS.
  - 4) THIS PRODUCT SERIES COMPLIANT TO RoHS DIRECTIVE 2002/95/EC AND ELV DIRECTIVE 2000/53/EC.



DETAIL 2

REVISED EC NO: SH2012-0185 DRWN: YXZHENG 2011/11/08 CHKD: APPR: AYIN 2012/06/06	DESCRIPTION RPGA SOCKET 989 ASSEMBLY (SOCKET G2)	QUALITY SYMBOLS	GENERAL TOLERANCES (UNLESS SPECIFIED)		DIMENSION STYLE	SCALE	DESIGN UNITS	THIRD ANGLE PROJECTION	
		$\nabla_A = 0$ $\nabla_C = 0$ $\nabla_P = 0$	mm    INCH 4 PLACES ± --- ± --- 3 PLACES ± --- ± --- 2 PLACES ± 0.10 ± --- 1 PLACE ± 0.20 ± --- ANGULAR ± 2 °	MM ONLY	2:1	METRIC	DRAWN BY: AYIN    DATE: 2010/07/29 CHECKED BY:        DATE:	TITLE	RPGA SOCKET 989 ASSEMBLY (SOCKET G2)
		DRAFT WHERE APPLICABLE MUST REMAIN WITHIN DIMENSIONS	SEE TABLE	APPROVED BY: AYIN    DATE: 2010/09/03 MATERIAL NO.	MOLEX INCORPORATED DOCUMENT NO.	SHEET NO. 1 OF 4			
		SIZE A3	THIS DRAWING CONTAINS INFORMATION THAT IS PROPRIETARY TO MOLEX INCORPORATED AND SHOULD NOT BE USED WITHOUT WRITTEN PERMISSION						

REMOVEABLE PICK & PLACE CAP



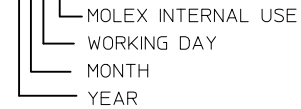
DETAIL 40:1

NOTES:

1) MATERIALS:

- MOLDED COMPONENTS: LIQUID CRYSTAL POLYMER (LCP) UL 94V-0
- BASE HOUSING COLOR: BLACK
- COVER COLOR: SEE PART LIST ON SHEET 3
- MYLAR (POLYIMIDE; COLOR: ORANGE) OR PnP COVER (LCP; COLOR: BLACK) FOR PICK & PLACE.
- CONTACTS: HIGH STRENGTH COPPER ALLOY
- PLATING: GOLD THICKNESS AS FOLLOWING TABLE 1-3 IN CONTACT AREA, 1.3µm NICKEL OVERALL
- CAM COMPONENTS: STAINLESS STEEL
- SOLDER BALL: LEAD-FREE BALL SnAg3.0Cu0.5

2) DATE CODE \*\*\*\*\*

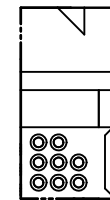
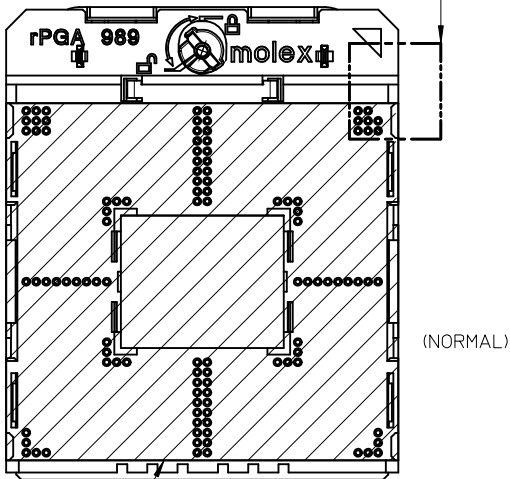


3) PRODUCT SPECIFICATION PS-47989-00\* APPLIES

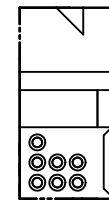
- 4) PACKAGING SPECIFICATION: PK-47989-001 (TAPE & REEL)
- PK-47989-002 (HARD TRAY)

SOCKET KEYING OPTIONS

MYLAR PICK & PLACE OPTION



rPGA989  
47989-05\*\*



rPGA988B  
47989-07\*\*

REVISED EC NO: SH2012-0185 DRWN: YXZHENG 2011/11/08 CHKD: APPR: AYIN 2012/06/04 REV	QUALITY SYMBOLS	GENERAL TOLERANCES (UNLESS SPECIFIED)		DIMENSION STYLE MM ONLY		SCALE 2:1	DESIGN UNITS METRIC	THIRD ANGLE PROJECTION
	$F_A=0$	mm	INCH	DRAWN BY AYIN	DATE 2010/07/29	TITLE RPGA SOCKET 989 ASSEMBLY (SOCKET G2)		
	$F_C=0$	4 PLACES ± ---	± ---	CHECKED BY	DATE	APPROVED BY AYIN		
	$F_P=0$	3 PLACES ± ---	± ---	DATE 2010/09/03		MATERIAL NO. SD-47989-003		
DRAFT WHERE APPLICABLE MUST REMAIN WITHIN DIMENSIONS		2 PLACES ± 0.10	± ---	SIZE A3		SHEET NO. 2 OF 4		
		1 PLACE ± 0.20	± ---	THIS DRAWING CONTAINS INFORMATION THAT IS PROPRIETARY TO MOLEX INCORPORATED AND SHOULD NOT BE USED WITHOUT WRITTEN PERMISSION				
		ANGULAR ± 2°						

PART NO. OF GF PLATING WITH NATURAL COVERL- TABLE 1

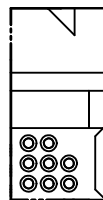
PART NUMBER	PICK UP TYPE		PACKAGE TYPE	
	MYLAR	CAP	T&R	HARD TRAY
47989-0510	◆			◆
47989-0520	◆		◆	
47989-0530		◆		◆
47989-0540		◆	◆	
47989-0710	◆			◆
47989-0720	◆		◆	
47989-0730		◆		◆
47989-0740		◆	◆	

PART NO. OF 10u" MIN GOLD PLATING WITH NATURAL COVER- TABLE 2

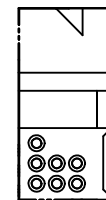
PART NUMBER	PICK UP TYPE		PACKAGE TYPE	
	MYLAR	CAP	T&R	HARD TRAY
47989-0511	◆			◆
47989-0521	◆		◆	
47989-0531		◆		◆
47989-0541		◆	◆	
47989-0711	◆			◆
47989-0721	◆		◆	
47989-0731		◆		◆
47989-0741		◆	◆	

PART NO. OF 15u" MIN. GOLD PLATING- WITH NATURAL COVER -TABLE 3

PART NUMBER	PICK UP TYPE		PACKAGE TYPE	
	MYLAR	CAP	T&R	HARD TRAY
47989-0512	◆			◆
47989-0522	◆		◆	
47989-0532		◆		◆
47989-0542		◆	◆	
47989-0712	◆			◆
47989-0722	◆		◆	
47989-0732		◆		◆
47989-0742		◆	◆	

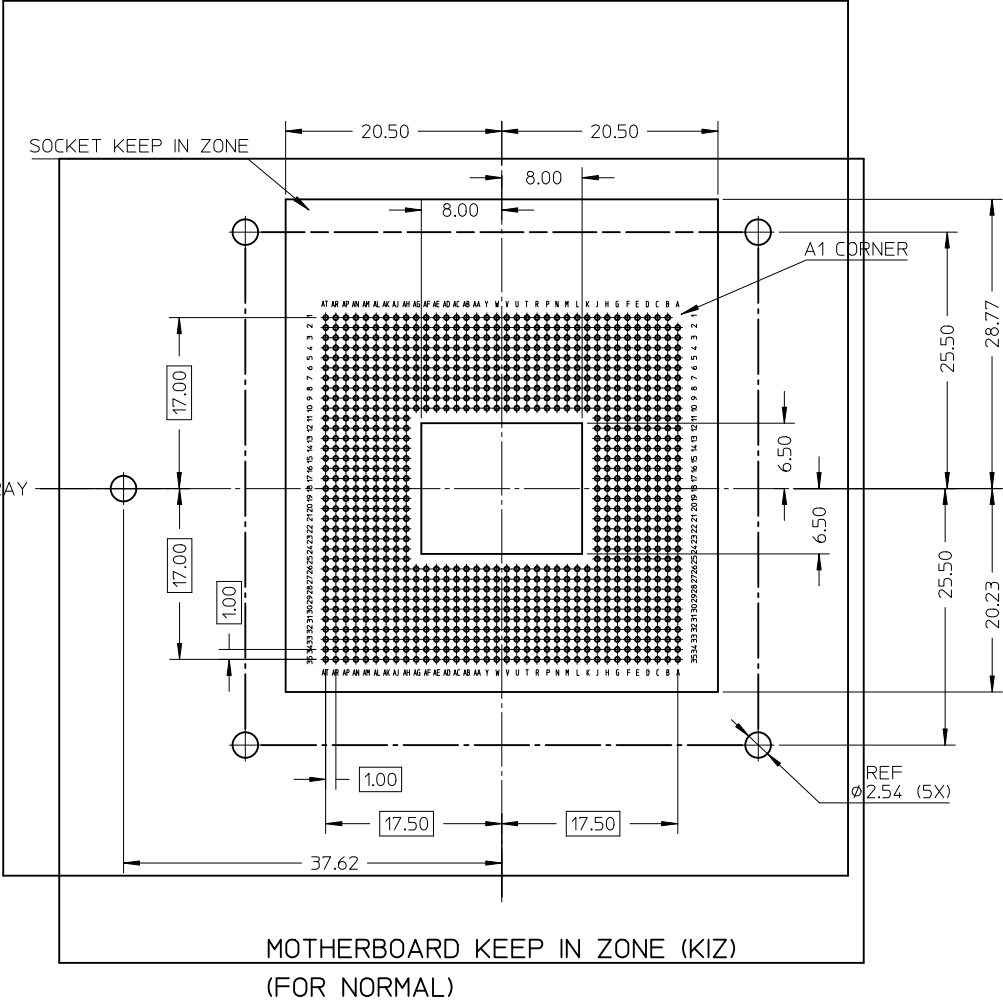


rPGA989  
47989-05\*\*



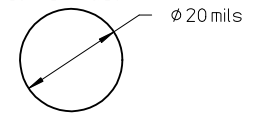
rPGA988B  
47989-07\*\*

REVISED EC NO: SH2012-0185 DRWN: YXZHENG 2011/11/08 CHKD: APPR: AYIN 2012/06/04 REV	QUALITY SYMBOLS	GENERAL TOLERANCES (UNLESS SPECIFIED)	DIMENSION STYLE	SCALE	DESIGN UNITS	THIRD ANGLE PROJECTION
	$F_A=0$ $F_G=0$ $F_P=0$	mm INCH 4 PLACES ± --- ± --- 3 PLACES ± --- ± --- 2 PLACES ± 0.10 ± --- 1 PLACE ± 0.20 ± --- ANGULAR ± 2 °	MM ONLY	2:1	METRIC	
		DRAFT WHERE APPLICABLE MUST REMAIN WITHIN DIMENSIONS	DRAWN BY DATE AYIN 2010/07/29 CHECKED BY DATE APPROVED BY DATE AYIN 2010/09/03	TITLE RPGA SOCKET 989 ASSEMBLY (SOCKET G2)		
			MATERIAL NO. SEE TABLE SIZE A3	MOLEX INCORPORATED DOCUMENT NO. SD-47989-003		SHEET NO. 3 OF 4

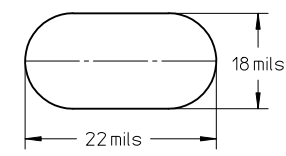


NOTES:  
shape pada of PCB are recommended

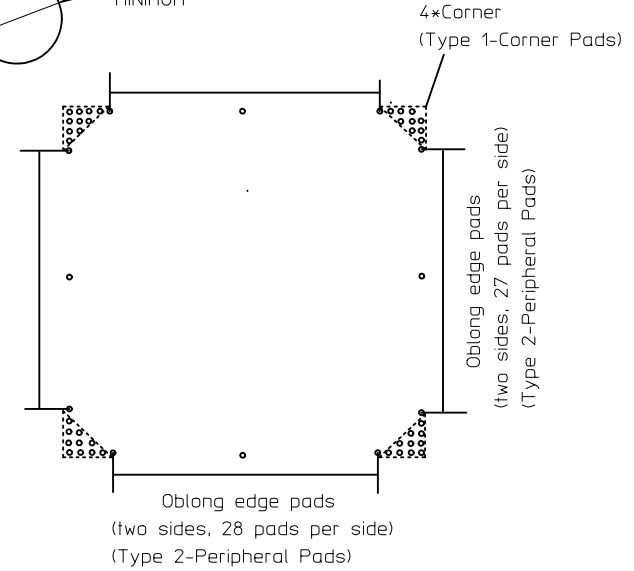
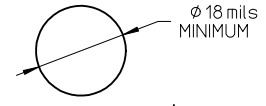
TYPE1-Corner Pads



TYPE2-Peripheral Pads(Oblong-shape pada are recommended)

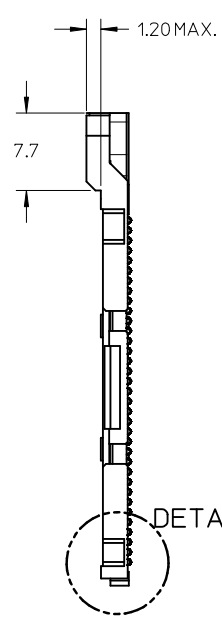
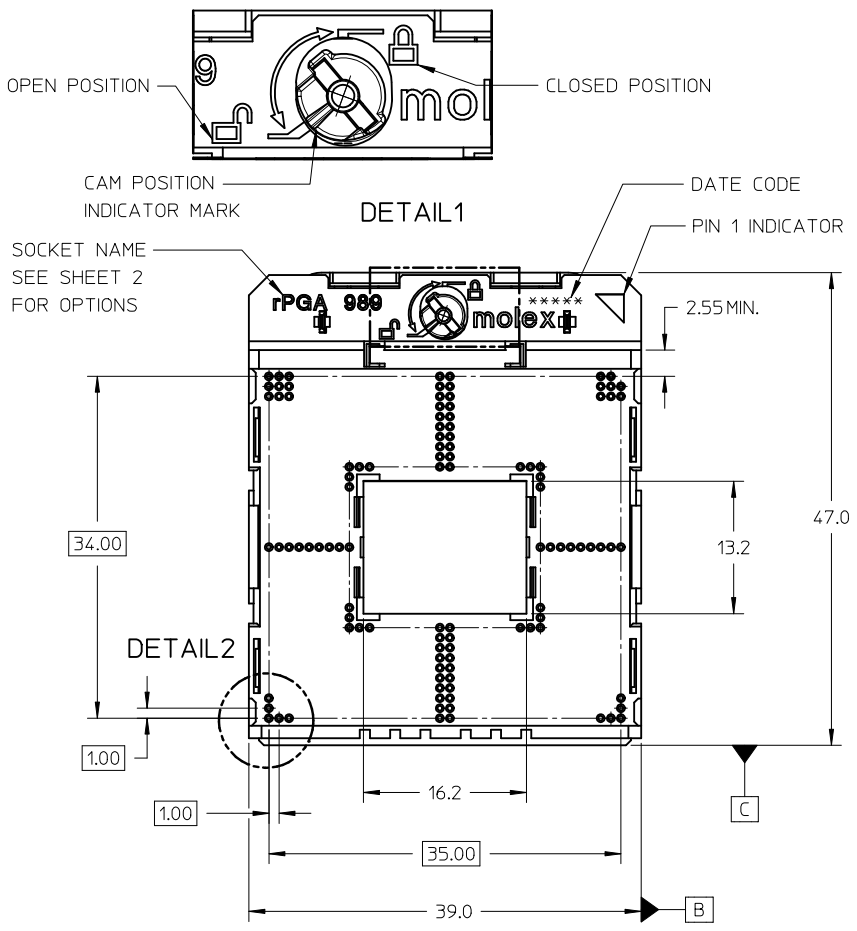


TYPE3-All Other Location Except for those of Type1 and Type2 Locations)

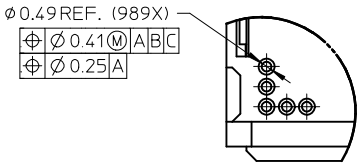
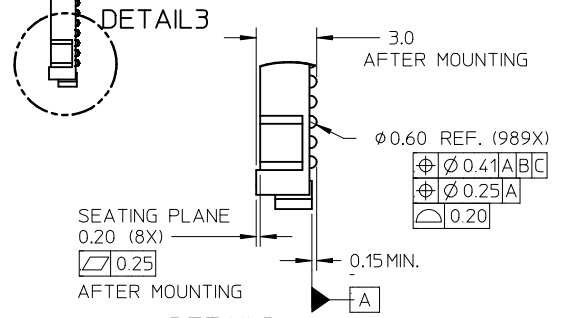
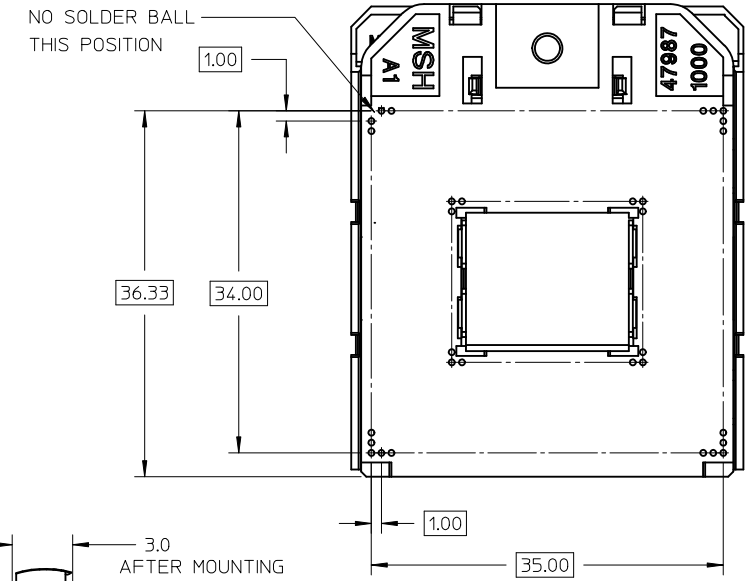


MOTHERBOARD KEEP IN ZONE (KIZ)  
(FOR NORMAL)

REVISED EC NO: SH2012-0185 DRWN: YXZHENG CHKD: APPR: AYIN 2011/11/08 2012/06/04	QUALITY SYMBOLS $F_A = 0$ $F_C = 0$ $F_P = 0$	GENERAL TOLERANCES (UNLESS SPECIFIED)		DIMENSION STYLE	SCALE	DESIGN UNITS	THIRD ANGLE PROJECTION	
		mm	INCH	MM ONLY	2:1	METRIC		
		4 PLACES	± ---	± ---	DRAWN BY	DATE	TITLE	
		3 PLACES	± ---	± ---	AYIN	2010/07/29	RPGA SOCKET 989 ASSEMBLY (SOCKET G2)	
			2 PLACES	± 0.10	± ---			
			1 PLACE	± 0.20	± ---			
			ANGULAR ± 2 °		APPROVED BY	DATE		
			DRAFT WHERE APPLICABLE MUST REMAIN WITHIN DIMENSIONS		AYIN	2010/09/03		
					MATERIAL NO.	DOCUMENT NO.	SHEET NO.	
					SEE TABLE	SD-47989-003	4 OF 4	
					THIS DRAWING CONTAINS INFORMATION THAT IS PROPRIETARY TO MOLEX INCORPORATED AND SHOULD NOT BE USED WITHOUT WRITTEN PERMISSION			



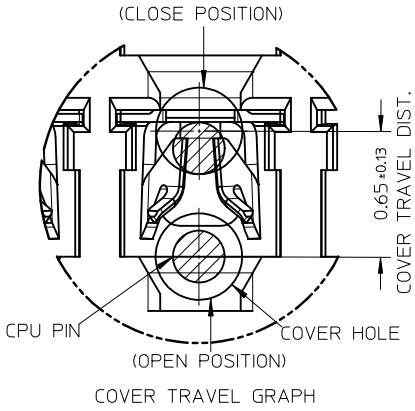
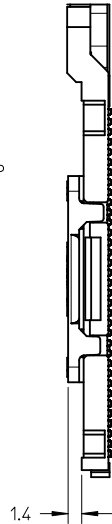
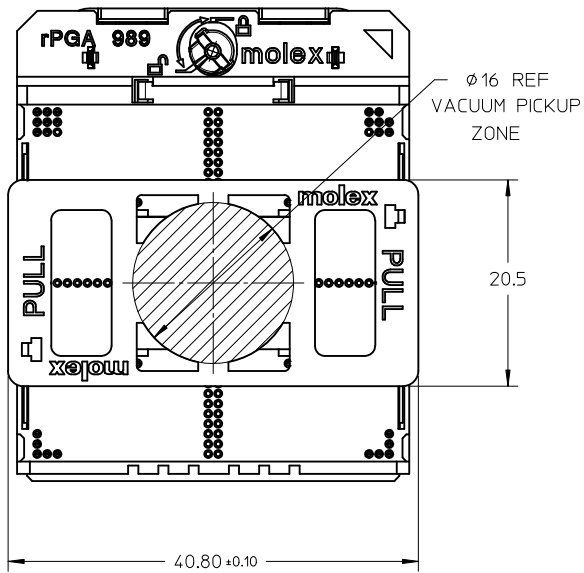
- NOTES:
- 1) THIS SOCKET COMPLIES WITH ALL SPECIFICATIONS AND PERFORMANCE REQUIREMENTS FOR INTEL rPGA98X SERIES CPU PROCESSORS.
  - 2) SOCKET SHOWN IN OPEN POSITION.
  - 3) SEE SHEET 2 FOR DETAILS PERTAINING TO KEYING, MATERIAL AND PACKAGING OPTIONS.
  - 4) THIS PRODUCT SERIES COMPLIANT TO RoHS DIRECTIVE 2002/95/EC AND ELV DIRECTIVE 2000/53/EC.



DETAIL 2

REVISED EC NO: SH2012-0185 DRWN: YXZHENG 2011/11/08 CHKD: APPR: AYIN 2012/06/06	DESCRIPTION REV	QUALITY SYMBOLS	GENERAL TOLERANCES (UNLESS SPECIFIED)		DIMENSION STYLE	SCALE	DESIGN UNITS	THIRD ANGLE PROJECTION
		$\nabla_A = 0$ $\nabla_C = 0$ $\nabla_P = 0$	mm    INCH 4 PLACES ± --- ± --- 3 PLACES ± --- ± --- 2 PLACES ± 0.10 ± --- 1 PLACE ± 0.20 ± --- ANGULAR ± 2 °	MM ONLY	2:1	METRIC	DRAWN BY: AYIN    DATE: 2010/07/29 CHECKED BY:        DATE:	TITLE
		DRAFT WHERE APPLICABLE MUST REMAIN WITHIN DIMENSIONS	SEE TABLE	APPROVED BY: AYIN    DATE: 2010/09/03 MATERIAL NO.	MOLEX INCORPORATED DOCUMENT NO.	RPGA SOCKET 989 ASSEMBLY (SOCKET G2)		
		SIZE A3	THIS DRAWING CONTAINS INFORMATION THAT IS PROPRIETARY TO MOLEX INCORPORATED AND SHOULD NOT BE USED WITHOUT WRITTEN PERMISSION	MOLEX INCORPORATED SD-47989-003	SHEET NO. 1 OF 4			

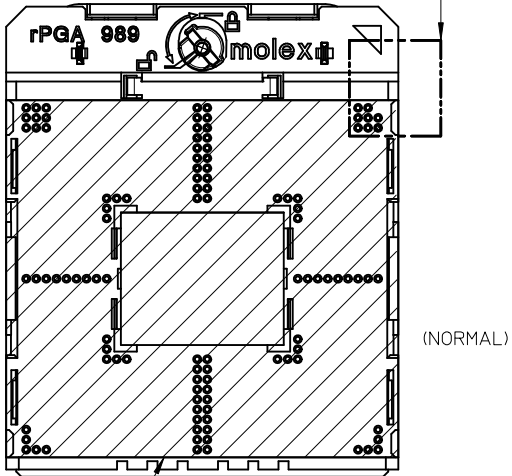
REMOVEABLE PICK & PLACE CAP



DETAIL 40:1

SOCKET KEYING OPTIONS

MYLAR PICK & PLACE OPTION



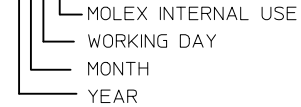
MYLAR

NOTES:

1) MATERIALS:

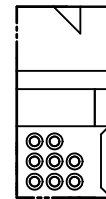
- MOLDED COMPONENTS: LIQUID CRYSTAL POLYMER (LCP) UL 94V-0
- BASE HOUSING COLOR: BLACK
- COVER COLOR: SEE PART LIST ON SHEET 3
- MYLAR (POLYIMIDE; COLOR: ORANGE) OR PnP COVER (LCP; COLOR: BLACK) FOR PICK & PLACE.
- CONTACTS: HIGH STRENGTH COPPER ALLOY
- PLATING: GOLD THICKNESS AS FOLLOWING TABLE 1-3 IN CONTACT AREA, 1.3µm NICKEL OVERALL
- CAM COMPONENTS: STAINLESS STEEL
- SOLDER BALL: LEAD-FREE BALL SnAg3.0Cu0.5

2) DATE CODE \*\*\*\*\*

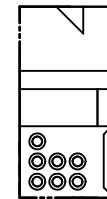


3) PRODUCT SPECIFICATION PS-47989-00\* APPLIES

- 4) PACKAGING SPECIFICATION: PK-47989-001 (TAPE & REEL)
- PK-47989-002 (HARD TRAY)



rPGA989  
47989-05\*\*



rPGA988B  
47989-07\*\*

REVISED EC NO: SH2012-0185 DRWN: YXZHENG 2011/11/08 CHKD: APPR: AYIN 2012/06/04 REV	QUALITY SYMBOLS	GENERAL TOLERANCES (UNLESS SPECIFIED)		DIMENSION STYLE MM ONLY		SCALE 2:1	DESIGN UNITS METRIC	THIRD ANGLE PROJECTION
	$F_A=0$	mm	INCH	DRAWN BY AYIN	DATE 2010/07/29	TITLE RPGA SOCKET 989 ASSEMBLY (SOCKET G2)		
	$F_C=0$	4 PLACES ± --- ± ---	3 PLACES ± --- ± ---	CHECKED BY	DATE	APPROVED BY AYIN		
	$F_P=0$	2 PLACES ± 0.10 ± ---	1 PLACE ± 0.20 ± ---	DATE 2010/09/03		MATERIAL NO. SD-47989-003		
DRAFT WHERE APPLICABLE MUST REMAIN WITHIN DIMENSIONS		ANGULAR ± 2°		SEE TABLE		DOCUMENT NO.		SHEET NO. 2 OF 4
THIS DRAWING CONTAINS INFORMATION THAT IS PROPRIETARY TO MOLEX INCORPORATED AND SHOULD NOT BE USED WITHOUT WRITTEN PERMISSION								

PART NO. OF GF PLATING WITH NATURAL COVERL- TABLE 1

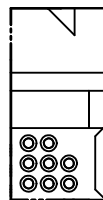
PART NUMBER	PICK UP TYPE		PACKAGE TYPE	
	MYLAR	CAP	T&R	HARD TRAY
47989-0510	◆			◆
47989-0520	◆		◆	
47989-0530		◆		◆
47989-0540		◆	◆	
47989-0710	◆			◆
47989-0720	◆		◆	
47989-0730		◆		◆
47989-0740		◆	◆	

PART NO. OF 10u" MIN GOLD PLATING WITH NATURAL COVER- TABLE 2

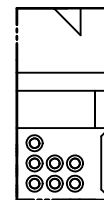
PART NUMBER	PICK UP TYPE		PACKAGE TYPE	
	MYLAR	CAP	T&R	HARD TRAY
47989-0511	◆			◆
47989-0521	◆		◆	
47989-0531		◆		◆
47989-0541		◆	◆	
47989-0711	◆			◆
47989-0721	◆		◆	
47989-0731		◆		◆
47989-0741		◆	◆	

PART NO. OF 15u" MIN. GOLD PLATING- WITH NATURAL COVER -TABLE 3

PART NUMBER	PICK UP TYPE		PACKAGE TYPE	
	MYLAR	CAP	T&R	HARD TRAY
47989-0512	◆			◆
47989-0522	◆		◆	
47989-0532		◆		◆
47989-0542		◆	◆	
47989-0712	◆			◆
47989-0722	◆		◆	
47989-0732		◆		◆
47989-0742		◆	◆	

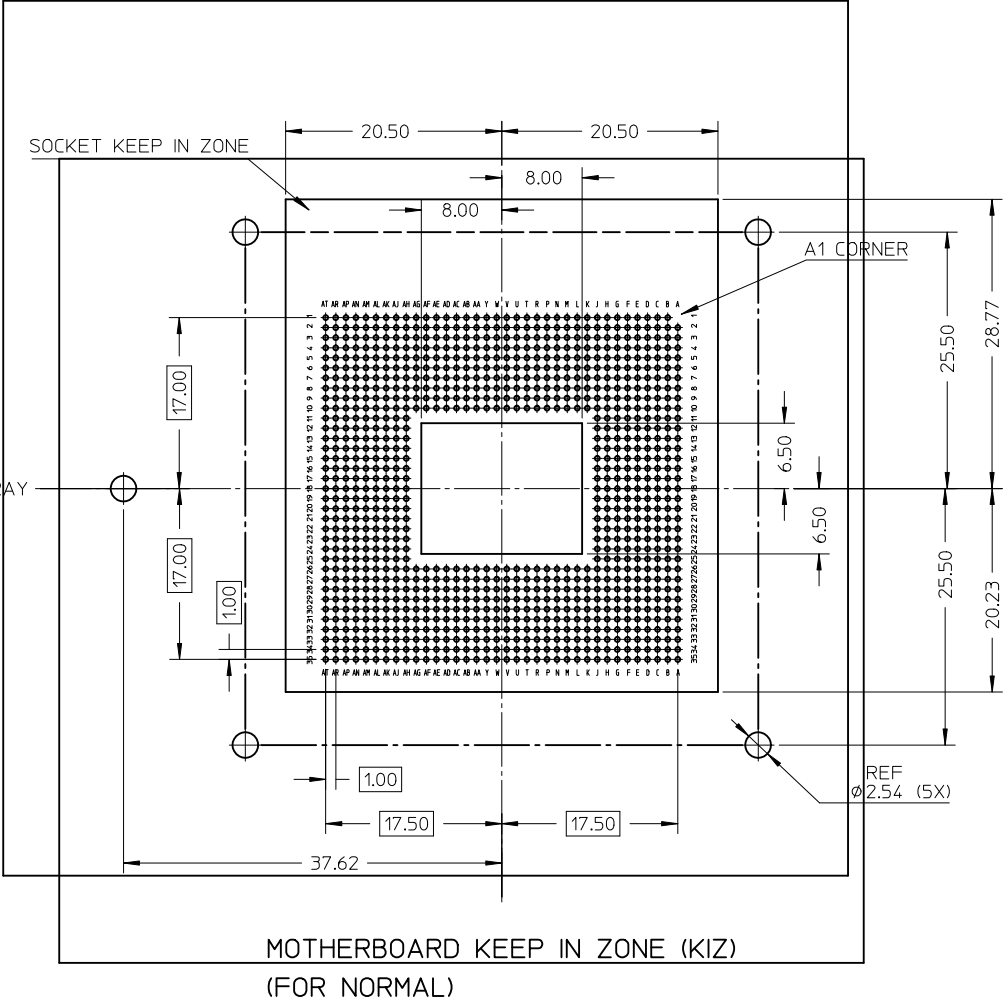


rPGA989  
47989-05\*\*



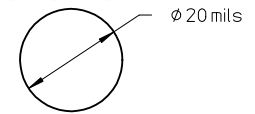
rPGA988B  
47989-07\*\*

REVISED EC NO: SH2012-0185 DRWN: YXZHENG CHKD: APPR: AYIN 2011/11/08 2012/06/04	DESCRIPTION REV	QUALITY SYMBOLS	GENERAL TOLERANCES (UNLESS SPECIFIED)	DIMENSION STYLE	SCALE	DESIGN UNITS	THIRD ANGLE PROJECTION	
		$F_A=0$ $F_G=0$ $F_P=0$	mm      INCH 4 PLACES ± --- ± --- 3 PLACES ± --- ± --- 2 PLACES ± 0.10 ± --- 1 PLACE ± 0.20 ± --- ANGULAR ± 2 °	MM ONLY	2:1	METRIC	DRAWN BY: AYIN      DATE: 2010/07/29 CHECKED BY:      DATE:	TITLE RPGA SOCKET 989 ASSEMBLY (SOCKET G2)
				APPROVED BY: AYIN      DATE: 2010/09/03	MATERIAL NO. SEE TABLE	MOLEX INCORPORATED DOCUMENT NO. SD-47989-003	SHEET NO. 3 OF 4	
				DRAFT WHERE APPLICABLE MUST REMAIN WITHIN DIMENSIONS	SIZE A3	THIS DRAWING CONTAINS INFORMATION THAT IS PROPRIETARY TO MOLEX INCORPORATED AND SHOULD NOT BE USED WITHOUT WRITTEN PERMISSION		

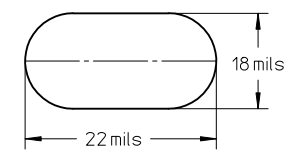


NOTES:  
shape pada of PCB are recommended

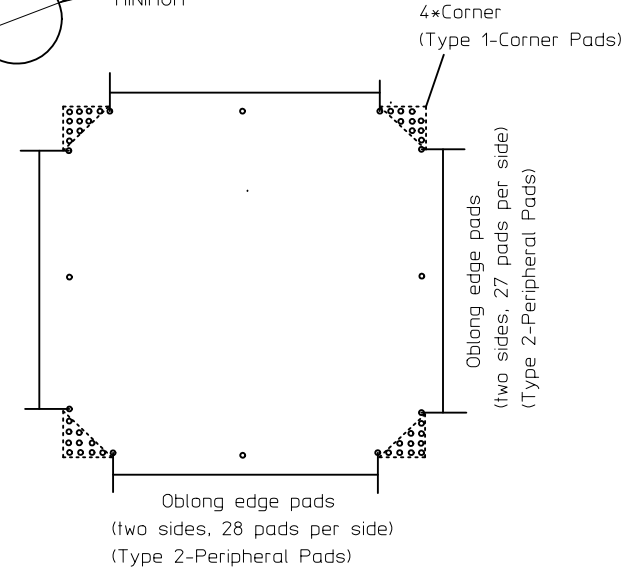
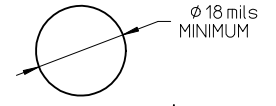
TYPE1-Corner Pads



TYPE2-Peripheral Pads(Oblong-shape pada are recommended)



TYPE3-All Other Location Except for those of Type1 and Type2 Locations)



REVISED EC NO: SH2012-0185 DRWN: YXZHENG CHKD: APPR: AYIN 2011/11/08 2012/06/04	QUALITY SYMBOLS $F_A = 0$ $F_G = 0$ $F_P = 0$	GENERAL TOLERANCES (UNLESS SPECIFIED) mm INCH 4 PLACES ± --- ± --- 3 PLACES ± --- ± --- 2 PLACES ± 0.10 ± --- 1 PLACE ± 0.20 ± --- ANGULAR ± 2 °	DIMENSION STYLE MM ONLY DRAWN BY: AYIN DATE: 2010/07/29 CHECKED BY: DATE: APPROVED BY: AYIN DATE: 2010/09/03 MATERIAL NO.: SEE TABLE	SCALE: 2:1 DESIGN UNITS: METRIC THIRD ANGLE PROJECTION	TITLE: RPGA SOCKET 989 ASSEMBLY (SOCKET G2) MOLEX INCORPORATED DOCUMENT NO.: SD-47989-003 SHEET NO.: 4 OF 4	
	DRAFT WHERE APPLICABLE MUST REMAIN WITHIN DIMENSIONS	THIS DRAWING CONTAINS INFORMATION THAT IS PROPRIETARY TO MOLEX INCORPORATED AND SHOULD NOT BE USED WITHOUT WRITTEN PERMISSION				
	SIZE: A3					
	REV					