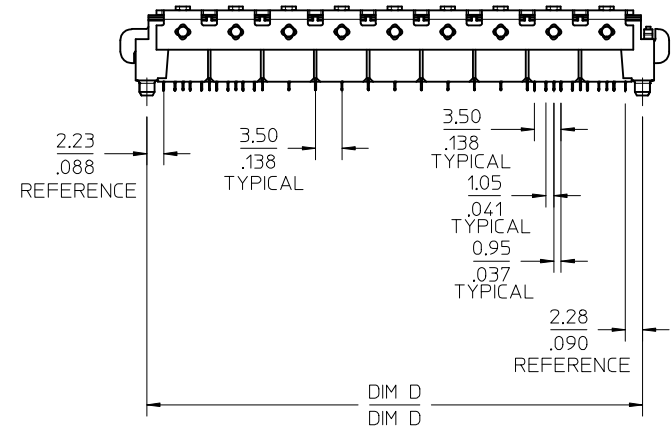
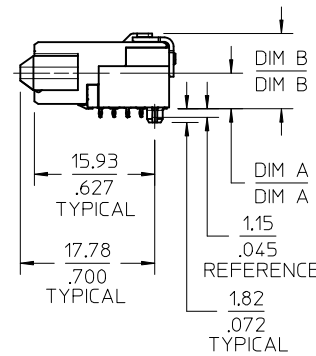


NOTES:

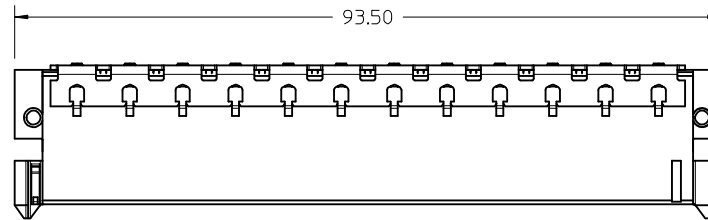
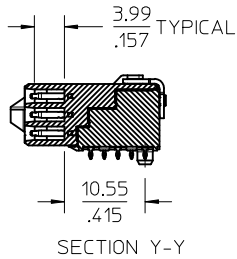
- 1) MATERIALS:
HOUSING - LIQUID CRYSTAL POLYMER, UL94 V-0
WAFER DIELECTRIC - LIQUID CRYSTAL POLYMER, UL94 V-0
CONTACT - COPPER ALLOY
CLIPS - STAINLESS STEEL
- 2) FINISHES: SEE SHEET 2
- 3) PRODUCT SPECIFICATION: THIS PART CONFORMS TO MOLEX SPECIFICATION PS-74148-0000.
- 4) PACKAGING SPECIFICATION: THIS PART TO BE PACKAGED PER SPECIFICATION PK-75020-030.
- 5) APPLICATION SPECIFICATION: THIS PART TO BE APPLIED PER SPECIFICATION AS-74148-0000. APPLICATION TOOL AND INSTRUCTIONS PER AS-74148-0000.
- 6) MATING INFORMATION
THIS PART MATES WITH 74148-XXXX (108 CIRCUIT).
WILL MATE WITH MAXIMUM OF 1.27mm MIS-ALIGNMENT
WILL MATE WITH MAXIMUM 0.75° MIS-ALIGNMENT
- 7) ORIENTATION
THIS PART CAN BE USED IN A STANDARD OR INVERTED ORIENTATION (I.E. ROTATED 180°)
- 8) SEE SHEET 3 FOR PCB LAYOUT INFORMATION
- 9) SEE SHEET 4 FOR CIRCUIT DESIGNATION
- 10) CIRCUITS IN THIS ZONE HAVE BEEN OMITTED TO SIMPLIFY THE MODEL. ACTUAL PRODUCT IS FULLY LOADED WITH TERMINALS
- 11) APPLICATION TOOLING KEEP OUT AREA. NO COMPONENTS ALLOWED IN THIS AREA.
- 12) CONFORMS TO MOLEX COSMETIC SPECIFICATION PS-45499-002 AND PS-45499-003.
- 13) MARKING: PART NUMBER, MX, DDDY
- 14) RECOMMENDED DRILL SIZE 0.48±0.03 TO YIELD FINISHED PLATED THROUGH HOLE 0.39±0.05
- 15) HOLD DOWN SCREWS ARE RECOMMENDED FOR THIS CONNECTOR.
REFERENCE MOLEX DOCUMENT AS-74148-0000 SECTION 4.5.



ADD NOTE 15 / MOD VIEWS EC NO: UCP2015-2894 DRWN:MPOFF 2013/08/29 CHKD:BBARKER 2015/01/19 APPR:SMILLER 2015/01/29	QUALITY SYMBOLS 	GENERAL TOLERANCES (UNLESS SPECIFIED)		DIMENSION STYLE		SCALE	DESIGN UNITS	THIRD ANGLE PROJECTION			
				MM/IN		2:1	METRIC				
				DRAWN BY DATE		TITLE		HS DOCK+ FLOATING CONNECTOR molex SD-74149-0001			
				MPOFF 2012/09/19		CHECKED BY DATE					
		2 PLACES ±0.13 ±.01		TIBARRA 2012/09/19		APPROVED BY DATE		SHEET NO.			
		1 PLACE ±0.25 ±---		SMILLER 2012/10/01		MATERIAL NO.		1 OF 5			
		0 PLACE ± ±				DOCUMENT NO.					
		ANGULAR ±1/2°		SEE TABLE		SD-74149-0001					
		DRAFT WHERE APPLICABLE MUST REMAIN WITHIN DIMENSIONS		SIZE C		THIS DRAWING CONTAINS INFORMATION THAT IS PROPRIETARY TO MOLEX INCORPORATED AND SHOULD NOT BE USED WITHOUT WRITTEN PERMISSION					

ITEM NUMBER	CIRCUIT SIZE	NO. OF COLUMNS 'N'	CENTERLINE DIMENSION 'A' mm(in)	O/A HEIGHT DIMENSION 'B' mm(in)	O/A LENGTH DIMENSION 'C' mm(in)	PEG TO PEG DIMENSION 'D' mm(in)	FIRST-LAST SIGNAL DIMENSION 'E' mm(in)	FIRST-LAST GROUND DIMENSION 'F' mm(in)	PLATING FINISH	HOUSING FINISH	GROUND OPTION
74149-1001	144	24	4.74 (.187)	9.98 (.393)	93.50 (3.681)	86.51 (3.406)	82.00 (3.228)	77.00 (3.031)	OPTION 1	NICKEL	2 TAIL
74149-1101	144	24	4.74 (.187)	9.98 (.393)	93.50 (3.681)	86.51 (3.406)	82.00 (3.228)	77.00 (3.031)	OPTION 1	NICKEL	3 TAIL
74149-3001	144	24	4.74 (.187)	9.98 (.393)	93.50 (3.681)	86.51 (3.406)	82.00 (3.228)	77.00 (3.031)	OPTION 2	GOLD	2 TAIL
74149-3101	144	24	4.74 (.187)	9.98 (.393)	93.50 (3.681)	86.51 (3.406)	82.00 (3.228)	77.00 (3.031)	OPTION 2	GOLD	3 TAIL
74149-4002	108	18	4.74 (.187)	9.98 (.393)	72.50 (2.854)	65.51 (2.579)	61.00 (2.402)	56.00 (2.205)	OPTION 1	NICKEL	2 TAIL
74149-4102	108	18	4.74 (.187)	9.98 (.393)	72.50 (2.854)	65.51 (2.579)	61.00 (2.402)	56.00 (2.205)	OPTION 1	NICKEL	3 TAIL
74149-5002	108	18	4.74 (.187)	9.98 (.393)	72.50 (2.854)	65.51 (2.579)	61.00 (2.402)	56.00 (2.205)	OPTION 2	GOLD	2 TAIL
74149-5102	108	18	4.74 (.187)	9.98 (.393)	72.50 (2.854)	65.51 (2.579)	61.00 (2.402)	56.00 (2.205)	OPTION 2	GOLD	3 TAIL

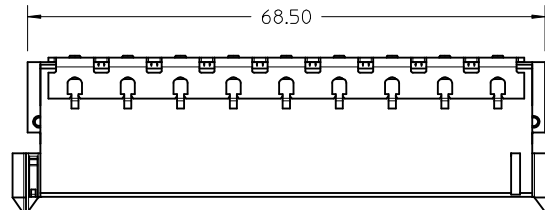
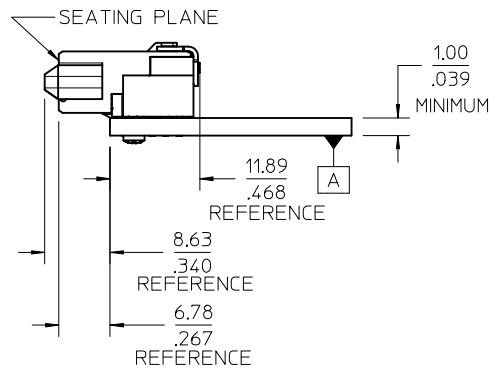
144 CKT



FINISHES:

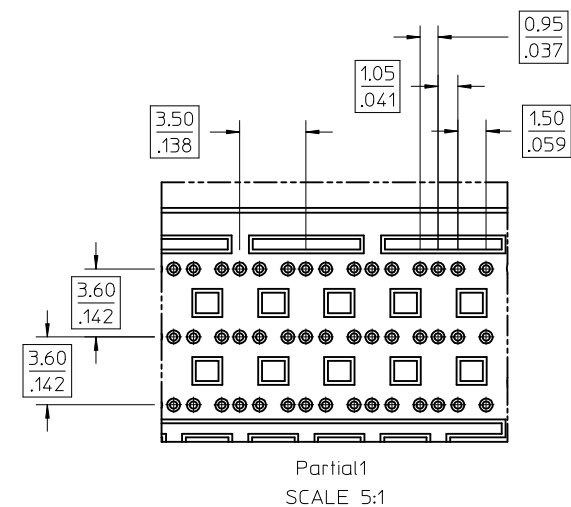
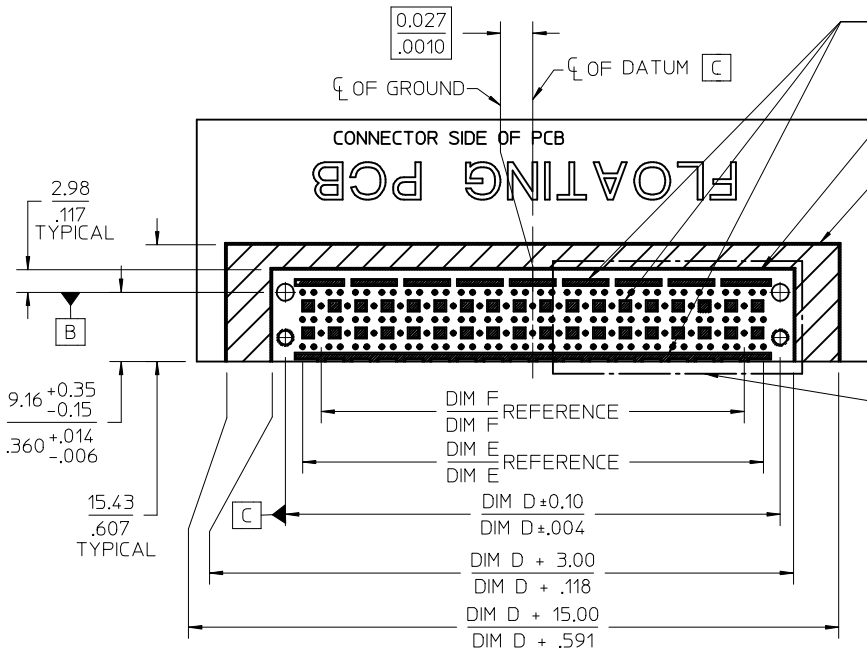
OPTION 1
 CONTACT INTERFACE
 0.76 MICROMETER MINIMUM SELECT GOLD
 1.27 MICROMETER MINIMUM NICKEL OVERALL
 COMPLIANT INTERFACE
 0.76 MICROMETER MINIMUM SELECT TIN OVER
 1.27 MICROMETER MINIMUM NICKEL OVERALL
 HOUSING
 3.81 MICROMETER MINIMUM HIGH PHOS NICKEL OVER
 3.81 MICROMETER MINIMUM COPPER OVERALL

108 CKT



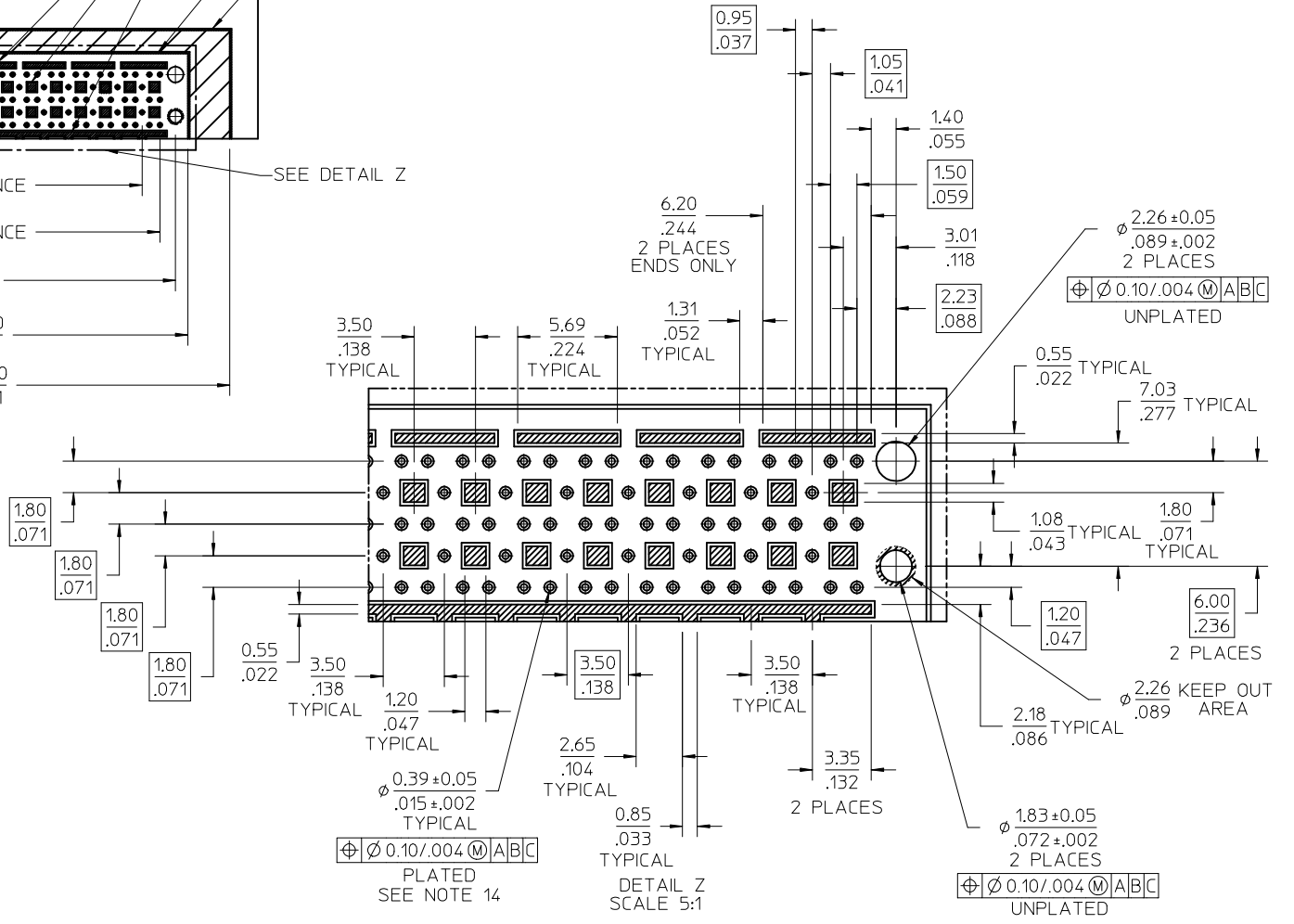
OPTION 2
 CONTACT INTERFACE
 0.76 MICROMETER MINIMUM SELECT GOLD
 1.27 MICROMETER MINIMUM NICKEL OVERALL
 COMPLIANT INTERFACE
 0.76 MICROMETER MINIMUM SELECT TIN OVER
 1.27 MICROMETER MINIMUM NICKEL OVERALL
 HOUSING
 0.10 MICROMETER MAXIMUM IMMERSION GOLD
 3.81 MICROMETER MINIMUM HIGH PHOS NICKEL OVER
 3.81 MICROMETER MINIMUM COPPER OVERALL

SEE SHEET 1 EC NO: UCP2015-2894 DRWN:MPOFF 2013/08/29 CHKD:BBARKER 2015/01/19 APPR:SMILLER 2015/01/29	QUALITY SYMBOLS ▽=0 ▽=0 ▽=0	GENERAL TOLERANCES (UNLESS SPECIFIED)		DIMENSION STYLE		SCALE	DESIGN UNITS	THIRD ANGLE PROJECTION			
				MM/IN		2:1	METRIC				
				mm	INCH	DRAWN BY	DATE	TITLE HS DOCK+ FLOATING CONNECTOR			
				4 PLACES ± ---	± ---	MPOFF	2012/09/19				
				3 PLACES ± ---	± .005	CHECKED BY	DATE	DOCUMENT NO. SD-74149-0001			
				2 PLACES ± 0.13	± .01	TIBARRA	2012/09/19				
				1 PLACE ± 0.25	± ---	APPROVED BY	DATE	SHEET NO. 2 OF 5			
				0 PLACE ±	±	SMILLER	2012/10/01				
				ANGULAR ±1/2°		MATERIAL NO.		THIS DRAWING CONTAINS INFORMATION THAT IS PROPRIETARY TO MOLEX INCORPORATED AND SHOULD NOT BE USED WITHOUT WRITTEN PERMISSION			
				DRAFT WHERE APPLICABLE MUST REMAIN WITHIN DIMENSIONS		SEE TABLE					



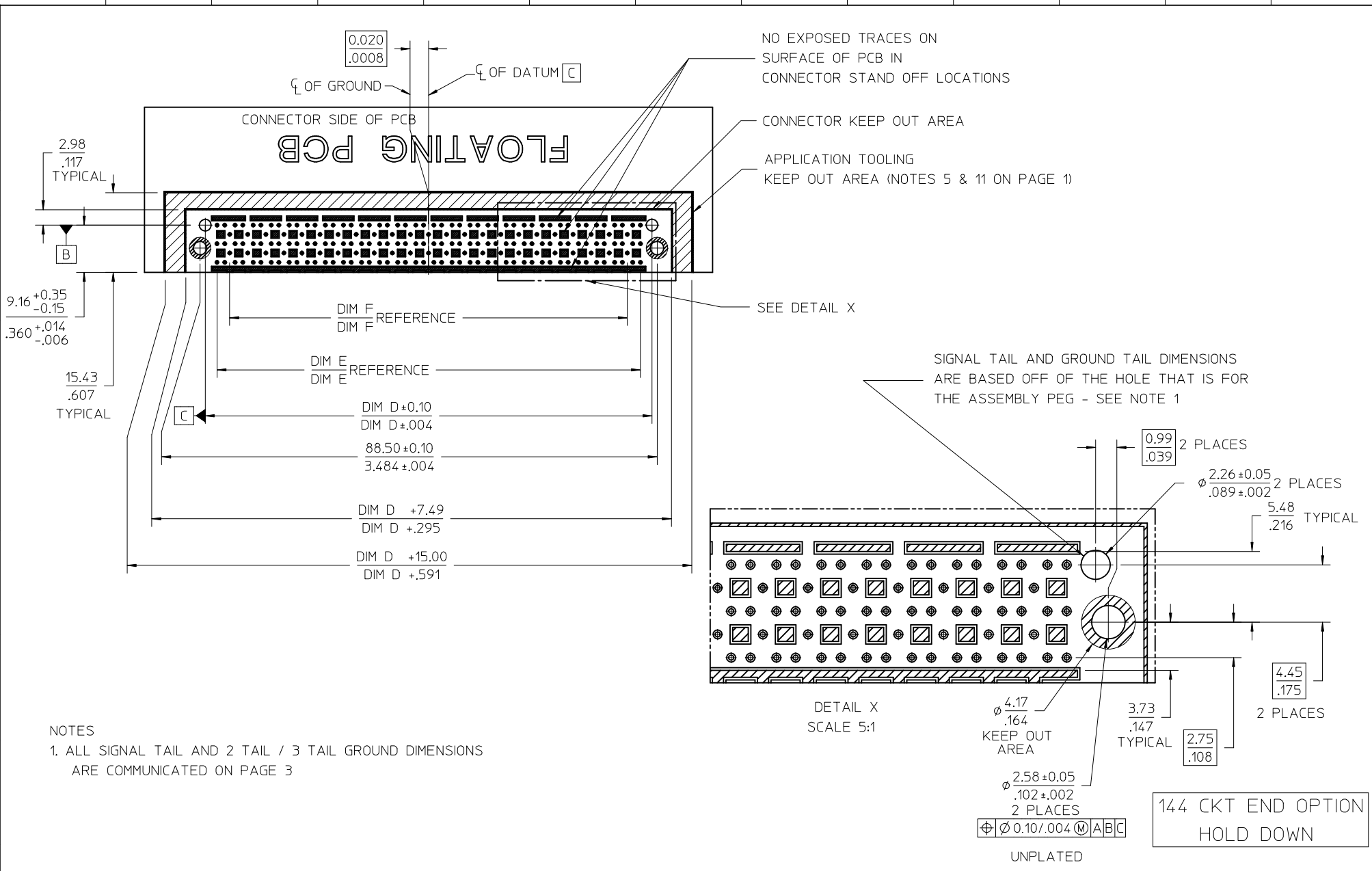
3 TAIL GROUND OPTION

NO EXPOSED TRACES ON SURFACE OF PCB IN CONNECTOR STAND OFF LOCATIONS
 CONNECTOR KEEP OUT AREA
 APPLICATION TOOLING KEEP OUT AREA (NOTES 5 & 11)



2 TAIL GROUND OPTION - 108 CKT END OPTION

SEE SHEET 1 EC NO: UCP2015-2894 DRW: MPOFF 2013/08/29 CHKD: BBARKER 2015/01/19 APPR: SMILLER 2015/01/29	QUALITY SYMBOLS ▽=0 ▽=0 ▽=0	GENERAL TOLERANCES (UNLESS SPECIFIED)		DIMENSION STYLE		SCALE	DESIGN UNITS	THIRD ANGLE PROJECTION		
				MM/IN		2:1	METRIC			
				DRAWN BY	DATE	TITLE				
				TIBARRA	2012/09/19	HS DOCK+ FLOATING CONNECTOR				
		APPROVED BY		DATE	DOCUMENT NO.		SHEET NO.			
		SMILLER		2012/10/01	SD-74149-0001		3 OF 5			
		ANGULAR ±1/2°		MATERIAL NO.						
		DRAFT WHERE APPLICABLE MUST REMAIN WITHIN DIMENSIONS		SEE TABLE						
				THIS DRAWING CONTAINS INFORMATION THAT IS PROPRIETARY TO MOLEX INCORPORATED AND SHOULD NOT BE USED WITHOUT WRITTEN PERMISSION						



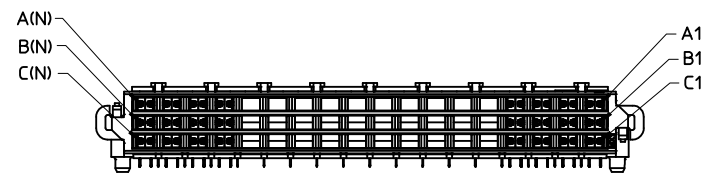
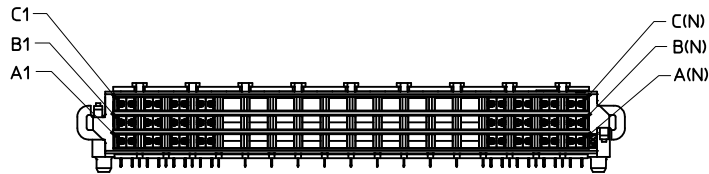
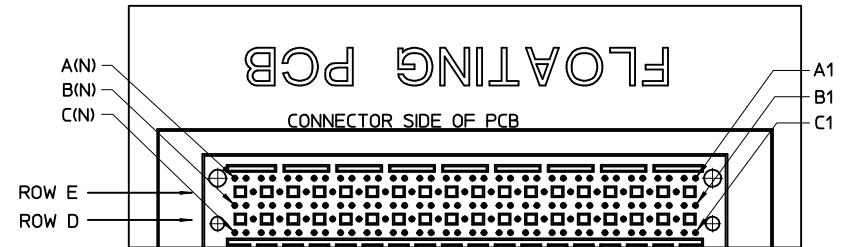
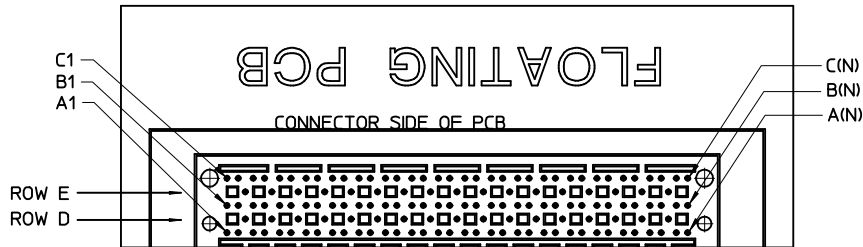
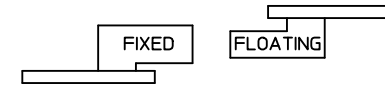
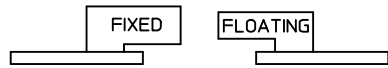
NOTES
 1. ALL SIGNAL TAIL AND 2 TAIL / 3 TAIL GROUND DIMENSIONS ARE COMMUNICATED ON PAGE 3

144 CKT END OPTION
 HOLD DOWN

SEE SHEET 1 EC NO: UCP2015-2894 DRWN:MPOFF 2013/08/29 CHKD:BBARKER 2015/01/19 APPR:SMILLER 2015/01/29	QUALITY SYMBOLS ▽=0 ▽=0 ▽=0	GENERAL TOLERANCES (UNLESS SPECIFIED)		DIMENSION STYLE MM/IN		SCALE 2:1	DESIGN UNITS METRIC	THIRD ANGLE PROJECTION		
				DRAWN BY DATE MPOFF 2012/09/19		TITLE HS DOCK+ FLOATING CONNECTOR				
				CHECKED BY DATE TIBARRA 2012/09/19		APPROVED BY DATE SMILLER 2012/10/01		molex		
				MATERIAL NO. SEE TABLE		DOCUMENT NO. SD-74149-0001		SHEET NO. 4 OF 5		
		ANGULAR ±1/2°		DRAFT WHERE APPLICABLE MUST REMAIN WITHIN DIMENSIONS		THIS DRAWING CONTAINS INFORMATION THAT IS PROPRIETARY TO MOLEX INCORPORATED AND SHOULD NOT BE USED WITHOUT WRITTEN PERMISSION				

STANDARD APPLICATION CIRCUIT DESIGNATIONS

INVERTED APPLICATION CIRCUIT DESIGNATIONS



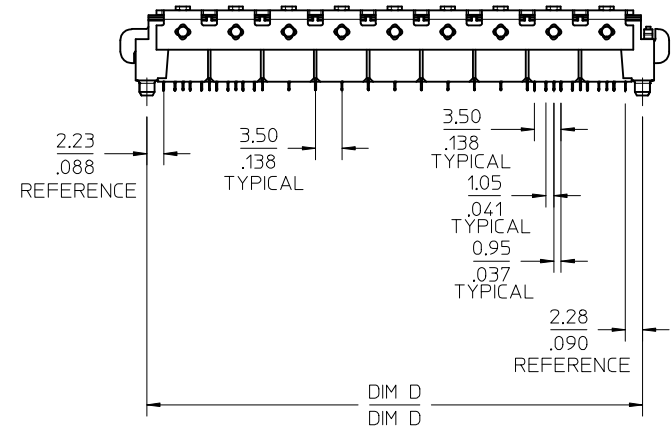
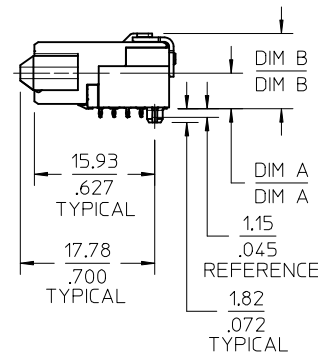
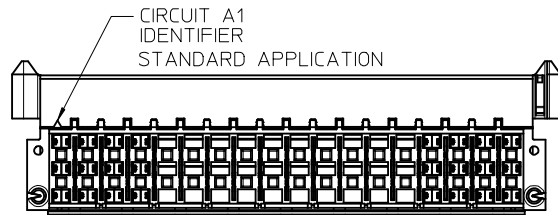
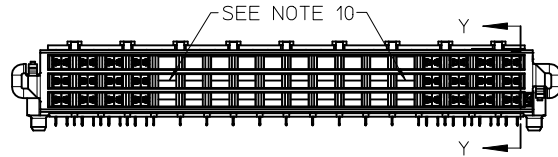
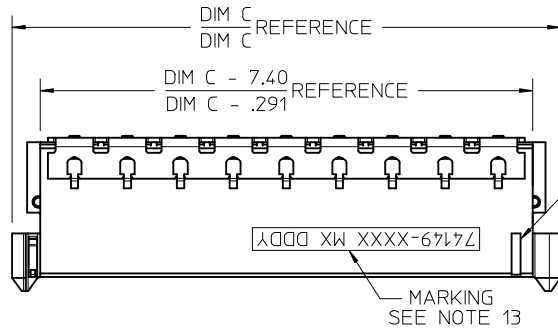
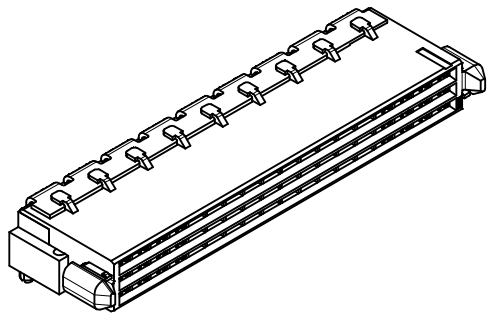
CIRCUIT DESIGNATION

FIRST MATE: HOUSING - SIGNAL GROUND
 SECOND MATE: A1, C1, A(N), C(N) (FOR POWER RETURN)
 THIRD MATE: A2, B2, C2, A(N-1), B(N-1), C(N-1) & ALL OTHERS
 (A2, C2, A(N-1) & C(N-1) FOR POWER)
 (ALL OTHERS FOR SIGNAL)
 LAST MATE: B1, B(N) (FOR CARD DETECT)

ALL COLUMNS FROM 3 THROUGH (N-2) ARE SUITABLE FOR DIFFERENTIAL PAIRS
 EG: A3-A4, B3-B4, C3-C4, A(N-2)-A(N-3), B(N-2)-B(N-3)

SIGNAL GROUND: ROWS D & E

SEE SHEET 1 EC NO: UCP2015-2894 DRWN:MPOFF 2013/08/29 CHKD:BBARKER 2015/01/19 APPR:SMILLER 2015/01/29	QUALITY SYMBOLS ▽=0 ▽=0 ▽=0	GENERAL TOLERANCES (UNLESS SPECIFIED)		DIMENSION STYLE MM/IN		SCALE 2:1	DESIGN UNITS METRIC	THIRD ANGLE PROJECTION		
			mm	INCH	DRAWN BY MPOFF	DATE 2012/09/19	TITLE HS DOCK+ FLOATING CONNECTOR molex DOCUMENT NO. SD-74149-0001 SHEET NO. 5 OF 5			
		4 PLACES ± --- ± ---			CHECKED BY TIBARRA	DATE 2012/09/19				
		3 PLACES ± --- ± .005			APPROVED BY SMILLER	DATE 2012/10/01				
			2 PLACES ± 0.13 ± .01							
			1 PLACE ± 0.25 ± ---							
			0 PLACE ± ±							
			ANGULAR ±1/2°		MATERIAL NO. SEE TABLE					
			DRAFT WHERE APPLICABLE MUST REMAIN WITHIN DIMENSIONS		SIZE C					



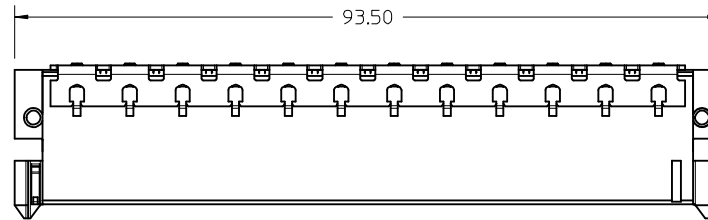
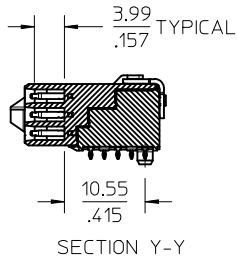
NOTES:

- 1) MATERIALS:
HOUSING - LIQUID CRYSTAL POLYMER, UL94 V-0
WAFER DIELECTRIC - LIQUID CRYSTAL POLYMER, UL94 V-0
CONTACT - COPPER ALLOY
CLIPS - STAINLESS STEEL
- 2) FINISHES: SEE SHEET 2
- 3) PRODUCT SPECIFICATION: THIS PART CONFORMS TO MOLEX SPECIFICATION PS-74148-0000.
- 4) PACKAGING SPECIFICATION: THIS PART TO BE PACKAGED PER SPECIFICATION PK-75020-030.
- 5) APPLICATION SPECIFICATION: THIS PART TO BE APPLIED PER SPECIFICATION AS-74148-0000. APPLICATION TOOL AND INSTRUCTIONS PER AS-74148-0000.
- 6) MATING INFORMATION
THIS PART MATES WITH 74148-XXXX (108 CIRCUIT).
WILL MATE WITH MAXIMUM OF 1.27mm MIS-ALIGNMENT
WILL MATE WITH MAXIMUM 0.75° MIS-ALIGNMENT
- 7) ORIENTATION
THIS PART CAN BE USED IN A STANDARD OR INVERTED ORIENTATION (I.E. ROTATED 180°)
- 8) SEE SHEET 3 FOR PCB LAYOUT INFORMATION
- 9) SEE SHEET 4 FOR CIRCUIT DESIGNATION
- 10) CIRCUITS IN THIS ZONE HAVE BEEN OMITTED TO SIMPLIFY THE MODEL. ACTUAL PRODUCT IS FULLY LOADED WITH TERMINALS
- 11) APPLICATION TOOLING KEEP OUT AREA. NO COMPONENTS ALLOWED IN THIS AREA.
- 12) CONFORMS TO MOLEX COSMETIC SPECIFICATION PS-45499-002 AND PS-45499-003.
- 13) MARKING: PART NUMBER, MX, DDD
- 14) RECOMMENDED DRILL SIZE 0.48±0.03 TO YIELD FINISHED PLATED THROUGH HOLE 0.39±0.05
- 15) HOLD DOWN SCREWS ARE RECOMMENDED FOR THIS CONNECTOR.
REFERENCE MOLEX DOCUMENT AS-74148-0000 SECTION 4.5.

ADD NOTE 15 / MOD VIEWS EC NO: UCP2015-2894 DRWN:MPOFF 2013/08/29 CHKD:BBARKER 2015/01/19 APPR:SMILLER 2015/01/29	QUALITY SYMBOLS 	GENERAL TOLERANCES (UNLESS SPECIFIED)		DIMENSION STYLE		SCALE	DESIGN UNITS	THIRD ANGLE PROJECTION			
				MM/IN		2:1	METRIC				
						DRAWN BY DATE		TITLE			
						MPOFF 2012/09/19		HS DOCK+ FLOATING CONNECTOR			
REV D	DESCRIPTION DRWN:MPOFF 2013/08/29 CHKD:BBARKER 2015/01/19 APPR:SMILLER 2015/01/29	4 PLACES ± --- ± ---		DATE		 molex DOCUMENT NO. SD-74149-0001 SHEET NO. 1 OF 5					
		3 PLACES ± --- ± .005		DATE							
		2 PLACES ± 0.13 ± .01		TIBARRA 2012/09/19							
		1 PLACE ± 0.25 ± ---		APPROVED BY DATE							
		0 PLACE ± ±		SMILLER 2012/10/01							
		ANGULAR ±1/2°		MATERIAL NO.							
		DRAFT WHERE APPLICABLE MUST REMAIN WITHIN DIMENSIONS		SEE TABLE							
				SIZE C		THIS DRAWING CONTAINS INFORMATION THAT IS PROPRIETARY TO MOLEX INCORPORATED AND SHOULD NOT BE USED WITHOUT WRITTEN PERMISSION					

ITEM NUMBER	CIRCUIT SIZE	NO. OF COLUMNS 'N'	CENTERLINE DIMENSION 'A' mm(in)	O/A HEIGHT DIMENSION 'B' mm(in)	O/A LENGTH DIMENSION 'C' mm(in)	PEG TO PEG DIMENSION 'D' mm(in)	FIRST-LAST SIGNAL DIMENSION 'E' mm(in)	FIRST-LAST GROUND DIMENSION 'F' mm(in)	PLATING FINISH	HOUSING FINISH	GROUND OPTION
74149-1001	144	24	4.74 (.187)	9.98 (.393)	93.50 (3.681)	86.51 (3.406)	82.00 (3.228)	77.00 (3.031)	OPTION 1	NICKEL	2 TAIL
74149-1101	144	24	4.74 (.187)	9.98 (.393)	93.50 (3.681)	86.51 (3.406)	82.00 (3.228)	77.00 (3.031)	OPTION 1	NICKEL	3 TAIL
74149-3001	144	24	4.74 (.187)	9.98 (.393)	93.50 (3.681)	86.51 (3.406)	82.00 (3.228)	77.00 (3.031)	OPTION 2	GOLD	2 TAIL
74149-3101	144	24	4.74 (.187)	9.98 (.393)	93.50 (3.681)	86.51 (3.406)	82.00 (3.228)	77.00 (3.031)	OPTION 2	GOLD	3 TAIL
74149-4002	108	18	4.74 (.187)	9.98 (.393)	72.50 (2.854)	65.51 (2.579)	61.00 (2.402)	56.00 (2.205)	OPTION 1	NICKEL	2 TAIL
74149-4102	108	18	4.74 (.187)	9.98 (.393)	72.50 (2.854)	65.51 (2.579)	61.00 (2.402)	56.00 (2.205)	OPTION 1	NICKEL	3 TAIL
74149-5002	108	18	4.74 (.187)	9.98 (.393)	72.50 (2.854)	65.51 (2.579)	61.00 (2.402)	56.00 (2.205)	OPTION 2	GOLD	2 TAIL
74149-5102	108	18	4.74 (.187)	9.98 (.393)	72.50 (2.854)	65.51 (2.579)	61.00 (2.402)	56.00 (2.205)	OPTION 2	GOLD	3 TAIL

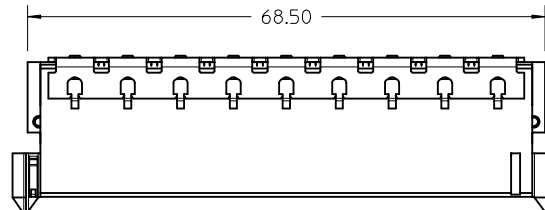
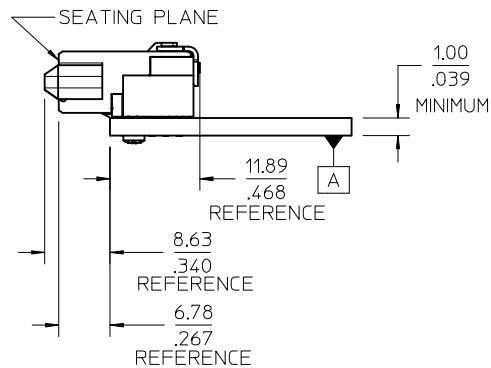
144 CKT



FINISHES:

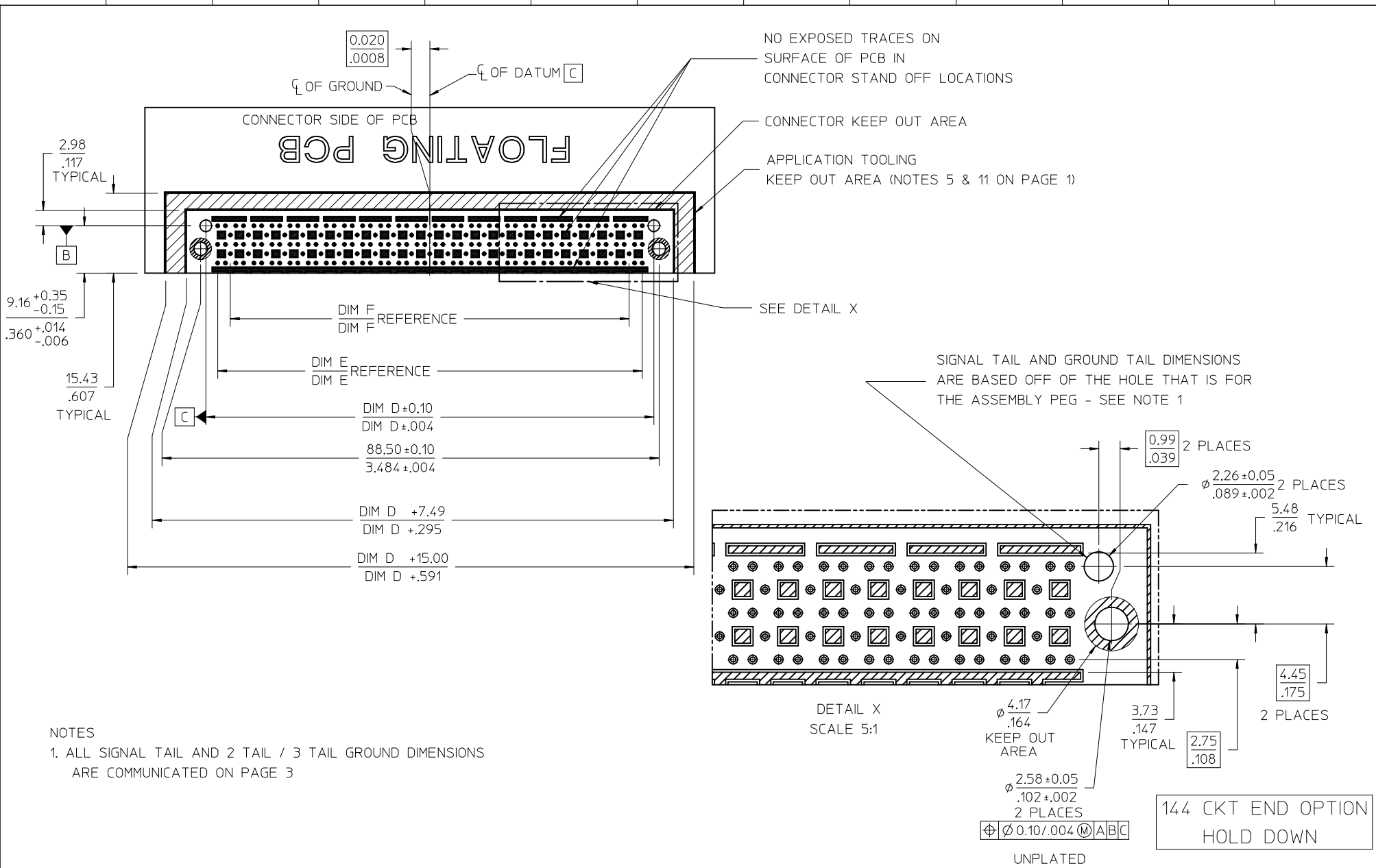
- OPTION 1**
 CONTACT INTERFACE
 0.76 MICROMETER MINIMUM SELECT GOLD
 1.27 MICROMETER MINIMUM NICKEL OVERALL
 COMPLIANT INTERFACE
 0.76 MICROMETER MINIMUM SELECT TIN OVER
 1.27 MICROMETER MINIMUM NICKEL OVERALL
 HOUSING
 3.81 MICROMETER MINIMUM HIGH PHOS NICKEL OVER
 3.81 MICROMETER MINIMUM COPPER OVERALL

108 CKT



- OPTION 2**
 CONTACT INTERFACE
 0.76 MICROMETER MINIMUM SELECT GOLD
 1.27 MICROMETER MINIMUM NICKEL OVERALL
 COMPLIANT INTERFACE
 0.76 MICROMETER MINIMUM SELECT TIN OVER
 1.27 MICROMETER MINIMUM NICKEL OVERALL
 HOUSING
 0.10 MICROMETER MAXIMUM IMMERSION GOLD
 3.81 MICROMETER MINIMUM HIGH PHOS NICKEL OVER
 3.81 MICROMETER MINIMUM COPPER OVERALL

SEE SHEET 1 EC NO: UCP2015-2894 DRWN: MPOFF 2013/08/29 CHKD: BARKER 2015/01/19 APPR: MILLER 2015/01/29	QUALITY SYMBOLS ▽=0 ▽=0 ▽=0	GENERAL TOLERANCES (UNLESS SPECIFIED)		DIMENSION STYLE		SCALE	DESIGN UNITS	THIRD ANGLE PROJECTION
		mm	INCH	MM/IN		2:1	METRIC	
		4 PLACES ± ---	± ---	DRAWN BY	DATE	TITLE HS DOCK+ FLOATING CONNECTOR		
		3 PLACES ± ---	± .005	MPOFF	2012/09/19			
2 PLACES ± 0.13	± .01	CHECKED BY	DATE					
1 PLACE ± 0.25	± ---	TIBARRA	2012/09/19	MATERIAL NO. SEE TABLE		DOCUMENT NO.	SHEET NO. 2 OF 5	
0 PLACE ±	±	APPROVED BY	DATE			SD-74149-0001		
DRAFT WHERE APPLICABLE MUST REMAIN WITHIN DIMENSIONS		ANGULAR ±1/2°	SIZE C		THIS DRAWING CONTAINS INFORMATION THAT IS PROPRIETARY TO MOLEX INCORPORATED AND SHOULD NOT BE USED WITHOUT WRITTEN PERMISSION			

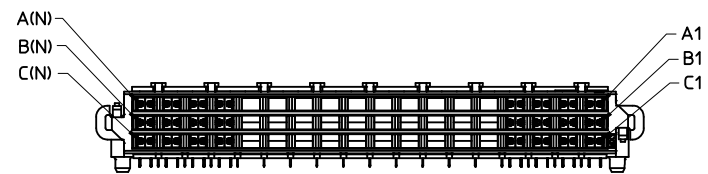
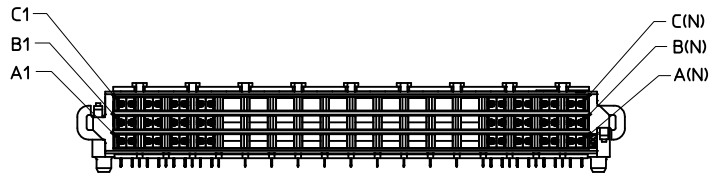
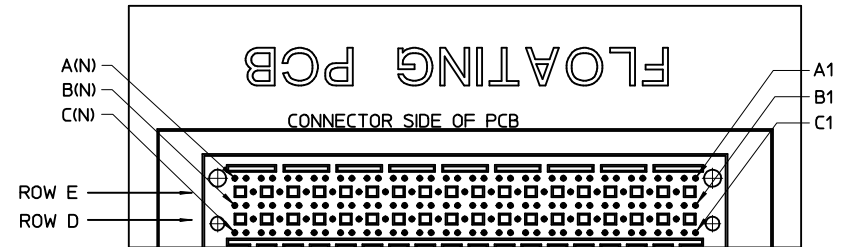
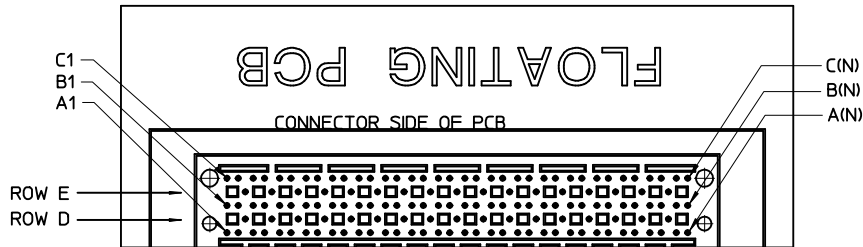
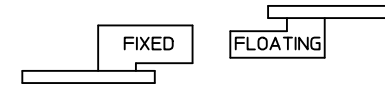
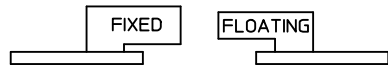


NOTES
 1. ALL SIGNAL TAIL AND 2 TAIL / 3 TAIL GROUND DIMENSIONS ARE COMMUNICATED ON PAGE 3

SEE SHEET 1 EC NO: UCP2015-2894 DRWN:MPOFF 2013/08/29 CHKD:BBARKER 2015/01/19 APPR:SMILLER 2015/01/29	QUALITY SYMBOLS ∇=0 ∇=0 ∇=0	GENERAL TOLERANCES (UNLESS SPECIFIED)		DIMENSION STYLE MM/IN	SCALE 2:1	DESIGN UNITS METRIC	THIRD ANGLE PROJECTION		
		4 PLACES ± --- ± --- 3 PLACES ± --- ±.005 2 PLACES ± 0.13 ±.01 1 PLACE ± 0.25 ± --- 0 PLACE ± ±	mm INCH	DRAWN BY MPOFF	DATE 2012/09/19	TITLE HS DOCK+ FLOATING CONNECTOR			
		ANGULAR ±1/2°		CHECKED BY TIBARRA	DATE 2012/09/19	APPROVED BY SMILLER			
		DRAFT WHERE APPLICABLE MUST REMAIN WITHIN DIMENSIONS		MATERIAL NO. SEE TABLE	DATE 2012/10/01	DOCUMENT NO. SD-74149-0001		SHEET NO. 4 OF 5	

STANDARD APPLICATION CIRCUIT DESIGNATIONS

INVERTED APPLICATION CIRCUIT DESIGNATIONS



CIRCUIT DESIGNATION

FIRST MATE: HOUSING - SIGNAL GROUND
 SECOND MATE: A1, C1, A(N), C(N) (FOR POWER RETURN)
 THIRD MATE: A2, B2, C2, A(N-1), B(N-1), C(N-1) & ALL OTHERS
 (A2, C2, A(N-1) & C(N-1) FOR POWER)
 (ALL OTHERS FOR SIGNAL)
 LAST MATE: B1, B(N) (FOR CARD DETECT)

ALL COLUMNS FROM 3 THROUGH (N-2) ARE SUITABLE FOR DIFFERENTIAL PAIRS
 EG: A3-A4, B3-B4, C3-C4, A(N-2)-A(N-3), B(N-2)-B(N-3)

SIGNAL GROUND: ROWS D & E

SEE SHEET 1 EC NO: UCP2015-2894 DRWN:MPOFF 2013/08/29 CHKD:BBARKER 2015/01/19 APPR:SMILLER 2015/01/29	QUALITY SYMBOLS ▽=0 ▽=0 ▽=0	GENERAL TOLERANCES (UNLESS SPECIFIED)		DIMENSION STYLE MM/IN		SCALE 2:1	DESIGN UNITS METRIC	THIRD ANGLE PROJECTION		
		4 PLACES ± --- ± ---	3 PLACES ± --- ± .005	2 PLACES ± 0.13 ± .01	1 PLACE ± 0.25 ± ---	0 PLACE ± ±	DRAWN BY DATE MPOFF 2012/09/19		CHECKED BY DATE TIBARRA 2012/09/19	
		ANGULAR ±1/2°		DRAFT WHERE APPLICABLE MUST REMAIN WITHIN DIMENSIONS		MATERIAL NO. SEE TABLE		DOCUMENT NO. SD-74149-0001		SHEET NO. 5 OF 5
		THIS DRAWING CONTAINS INFORMATION THAT IS PROPRIETARY TO MOLEX INCORPORATED AND SHOULD NOT BE USED WITHOUT WRITTEN PERMISSION								

HS DOCK+
FLOATING CONNECTOR

molex