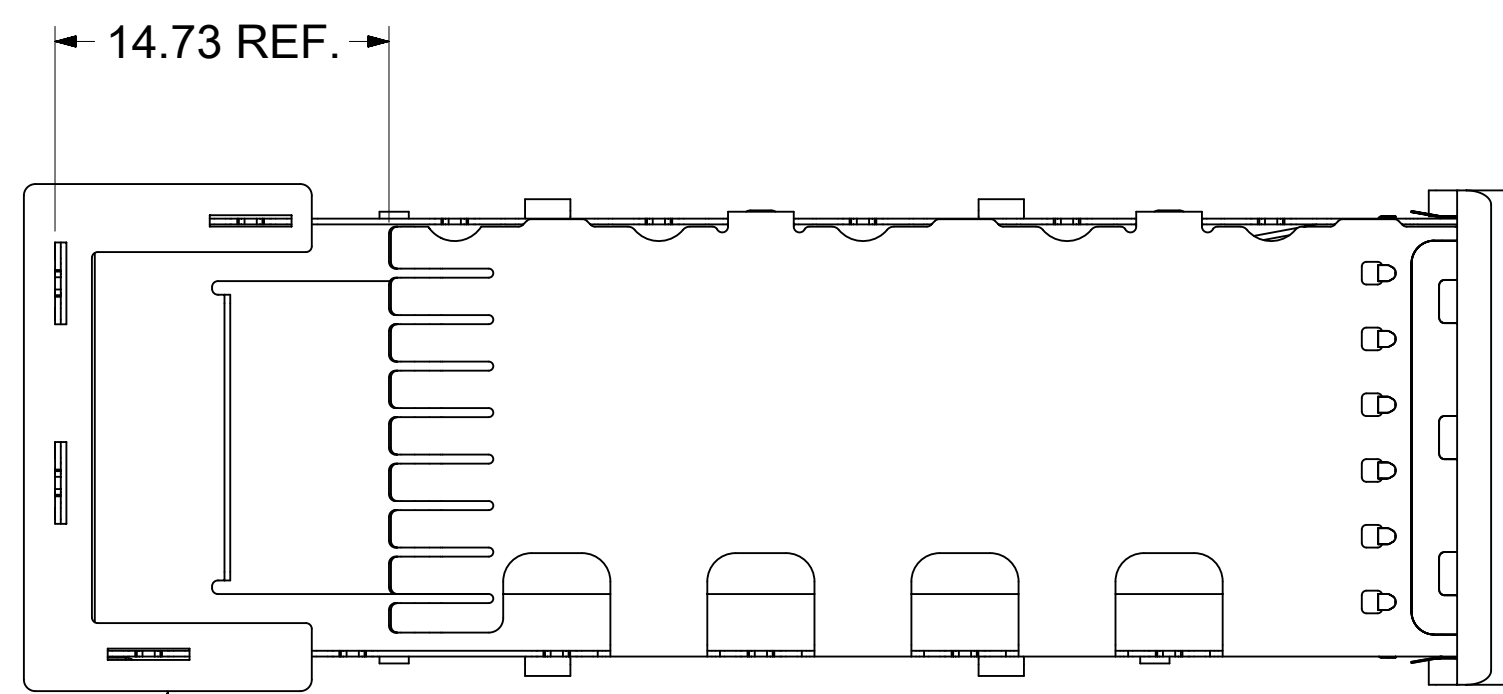
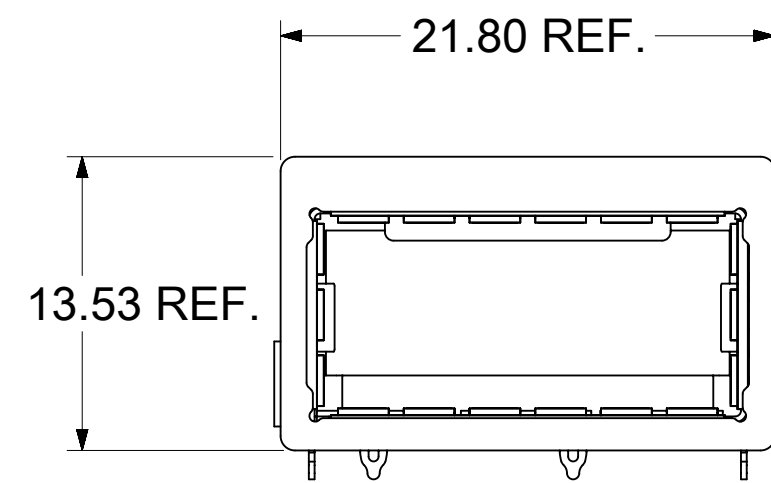
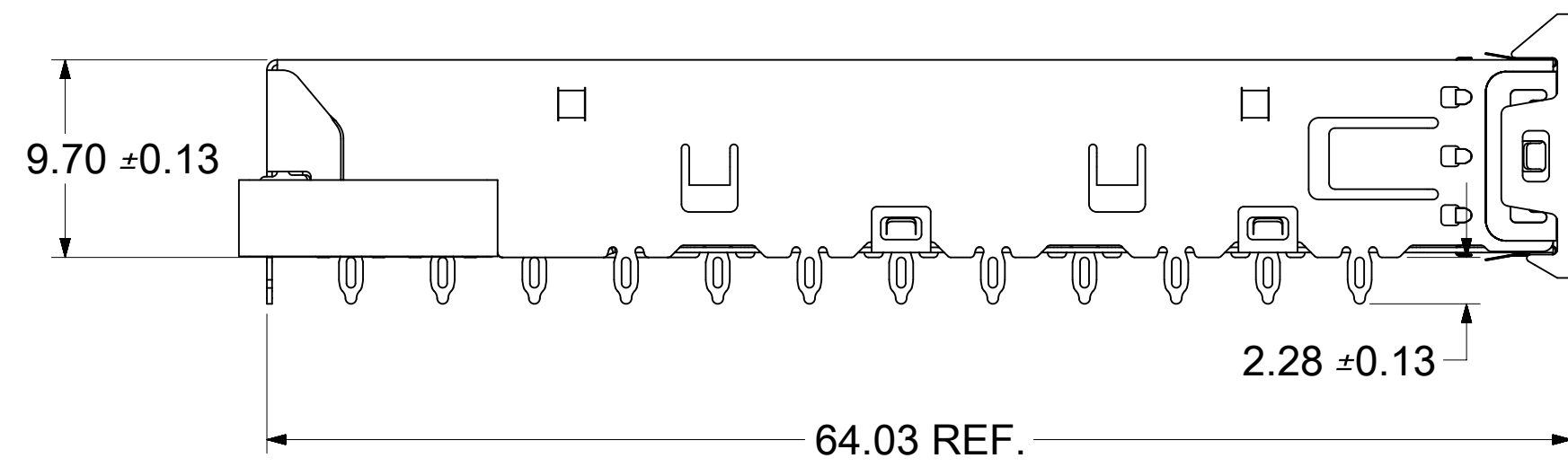
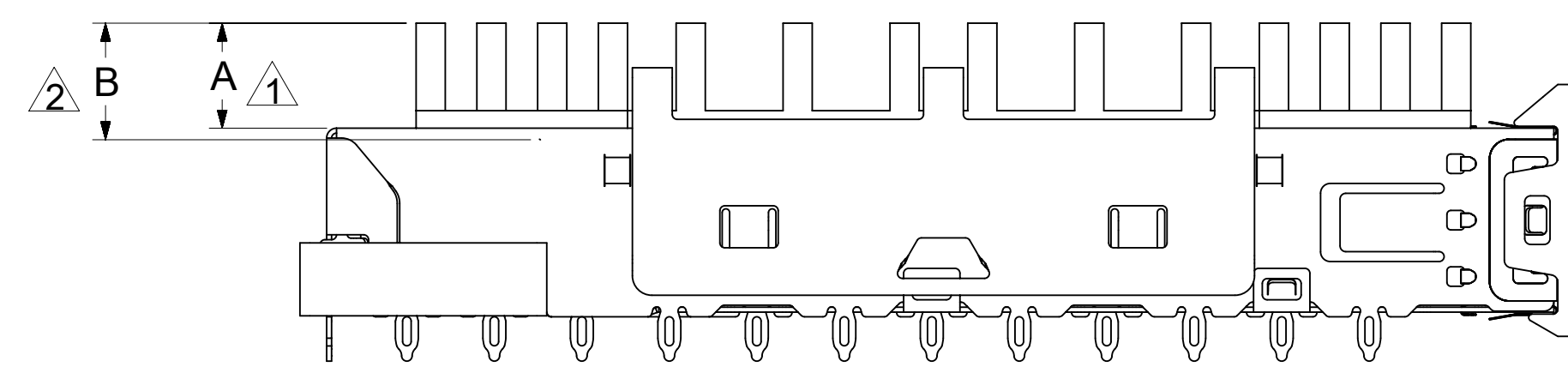


PARTIAL A
SCALE 3:1



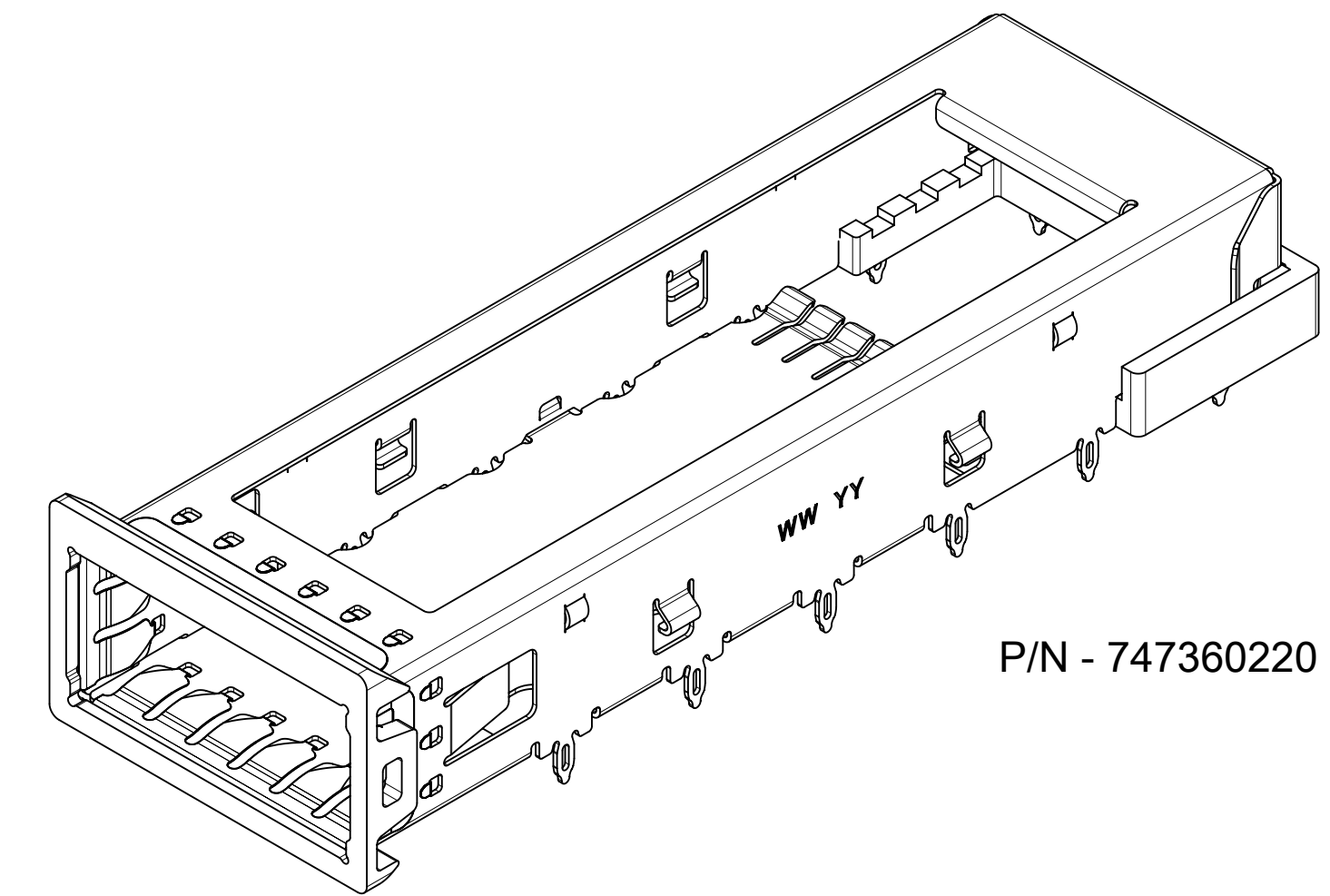
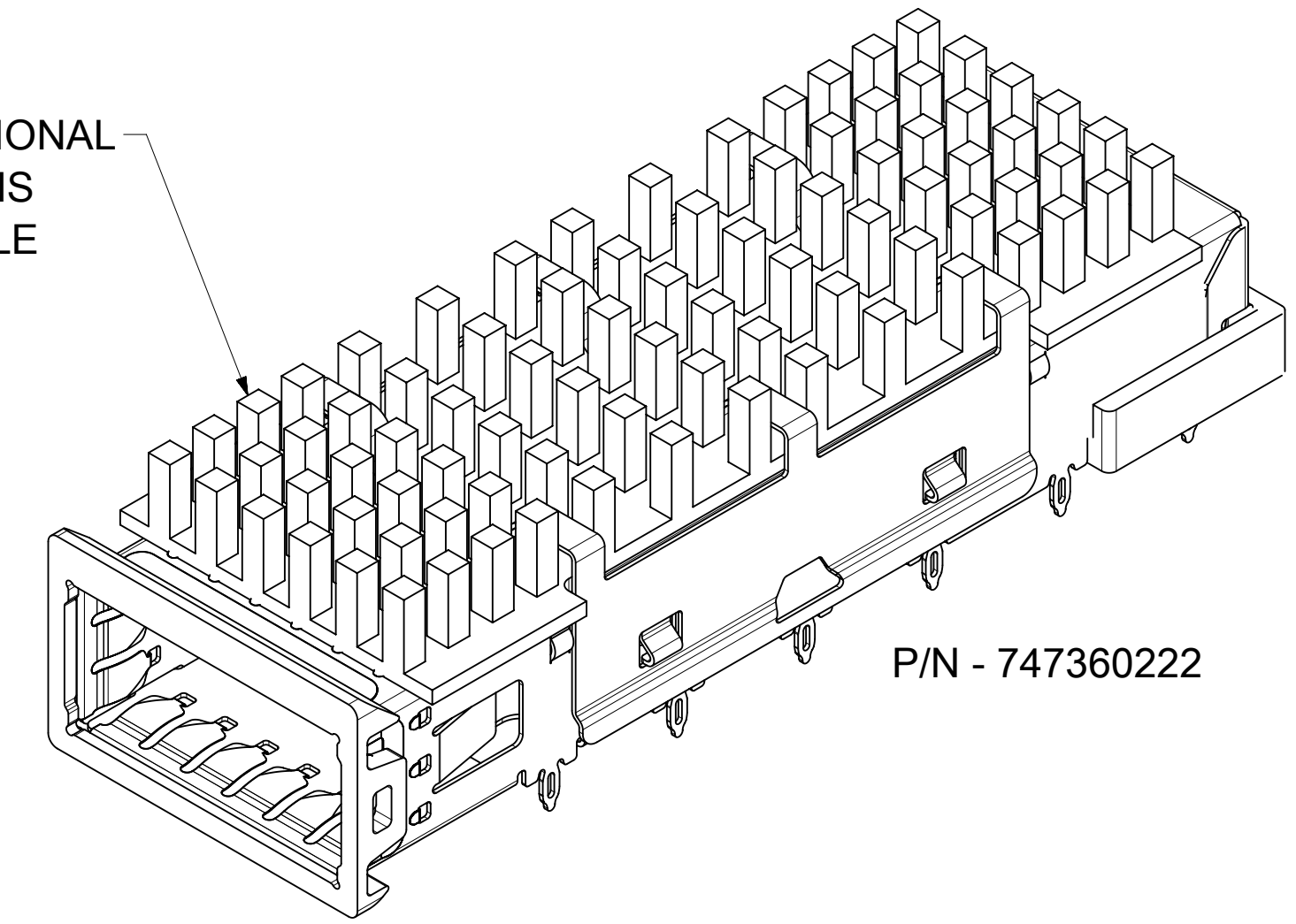
COMPLIANT EMI GASKET
(DARK COLORED)

SHOWN WITH OPTIONAL HEATSINK (SAN) AND CLIP



- ▲ MAXIMUM HEIGHT OF HEATSINK WITH MODULE INSERTED
- △ OVERALL HEIGHT OF HEATSINK
- 3. OTHER HEATSINK DESIGNS ARE AVAILABLE INCLUDING CUSTOM DESIGNS

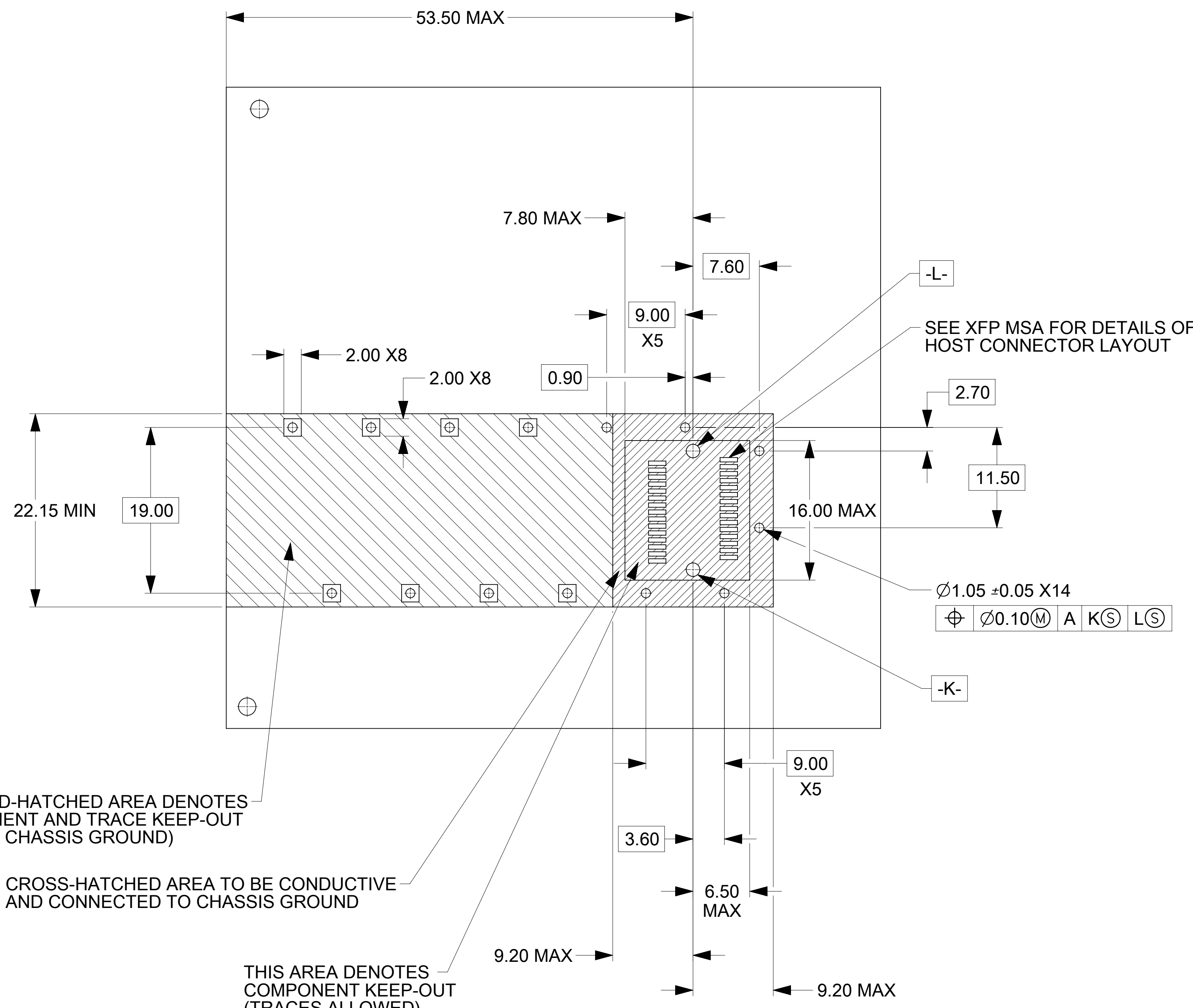
HEATSINK SINK AND CLIP ARE OPTIONAL
SEE CHART FOR HEATSINK OPTIONS
CUSTOM HEATSINKS ARE AVAILABLE



PART NUMBER FOR XFP CAGE ASSEMBLY & PARTS					
P/N	DIM A	DIM B	DESCRIPTION	POWER LEVEL	THERMAL RESISTANCE @200 LFM
747360220	N/A	N/A	XFP CAGE WITH NO HEATSINK OR CLIP	N/A	N/A
747360221	4.0	4.2	XFP CAGE WITH PCI HEATSINK	UP TO 1.5W	<18.0 C/W
747360222	6.3	6.5	XFP CAGE WITH SAN HEATSINK (SHOWN)	UP TO 2.5W	<11.5 C/W
747360230	N/A	N/A	HEATSINK CLIP ONLY	N/A	N/A
747360240	N/A	N/A	PCI HEATSINK ONLY	UP TO 1.5W	<18.0 C/W
747360241	N/A	N/A	SAN HEATSINK ONLY	UP TO 2.5W	<11.5 C/W
747360242	N/A	N/A	TALL HEATSINK ONLY	UP TO 3.5W	<8.0 C/W

THIS DRAWING CONTAINS INFORMATION THAT IS PROPRIETARY TO MOLEX ELECTRONIC TECHNOLOGIES, LLC AND SHOULD NOT BE USED WITHOUT WRITTEN PERMISSION

DIMENSION UNITS mm	SCALE 3:1	CURRENT REV DESC:		molex		
GENERAL TOLERANCES (UNLESS SPECIFIED)		EC NO: 624461				
4 PLACES ±	±	DRWN: AKUMAR19	2019/02/04	PRODUCT CUSTOMER DRAWING		
3 PLACES ±	±	CHK'D: GGA	2019/10/17			
2 PLACES ±	0.1 ±	APPR: GGA	2019/10/17	MATERIAL NUMBER: SEE TABLE CUSTOMER: GENERAL MARKET SHEET NUMBER: 1 OF 3		
1 PLACE ±	0.25 ±	INITIAL REVISION:				
0 PLACES ±	±	DRWN: KLLOYD	2004/05/14	DRAFT WHERE APPLICABLE MUST REMAIN WITHIN DIMENSIONS		
ANGULAR TOL ±	1.0 °	APPR: RMAHMOOD	2010/11/09			
				DRAWING: D-SIZE 74736		

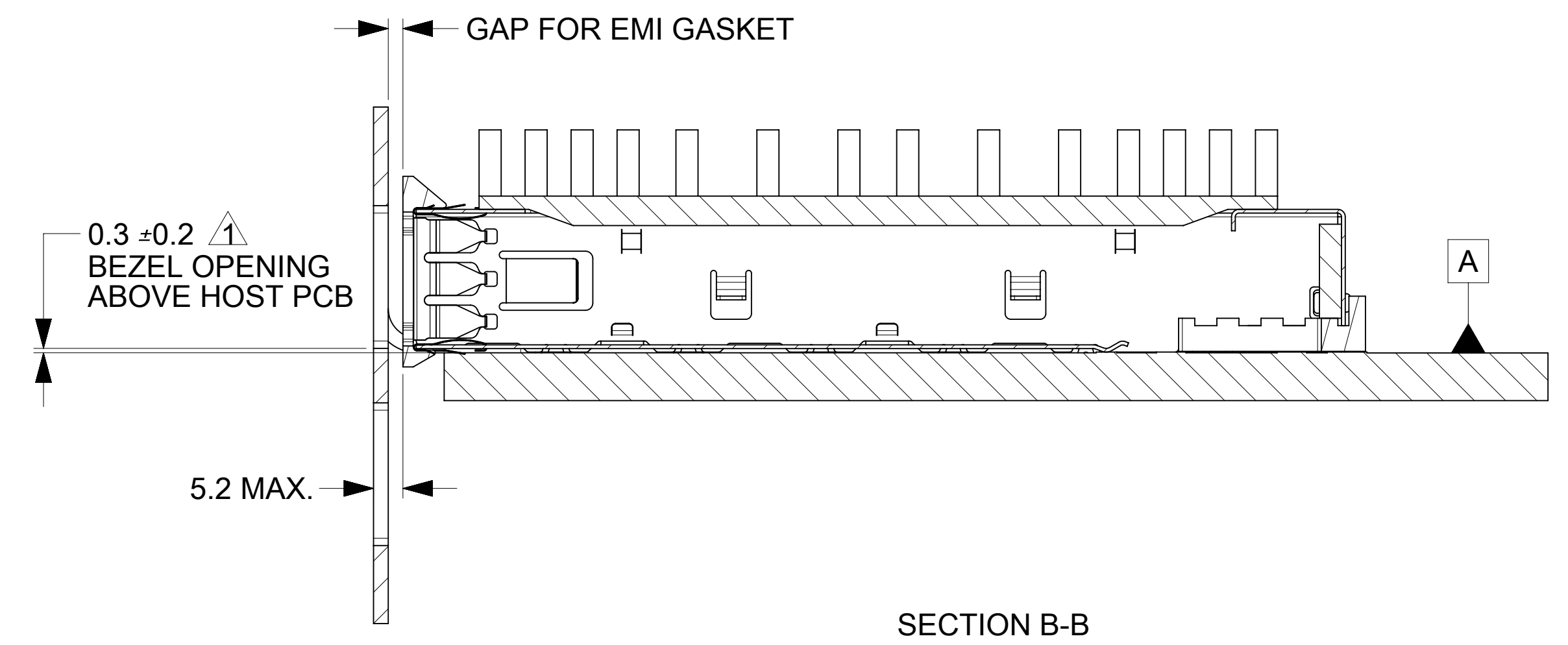
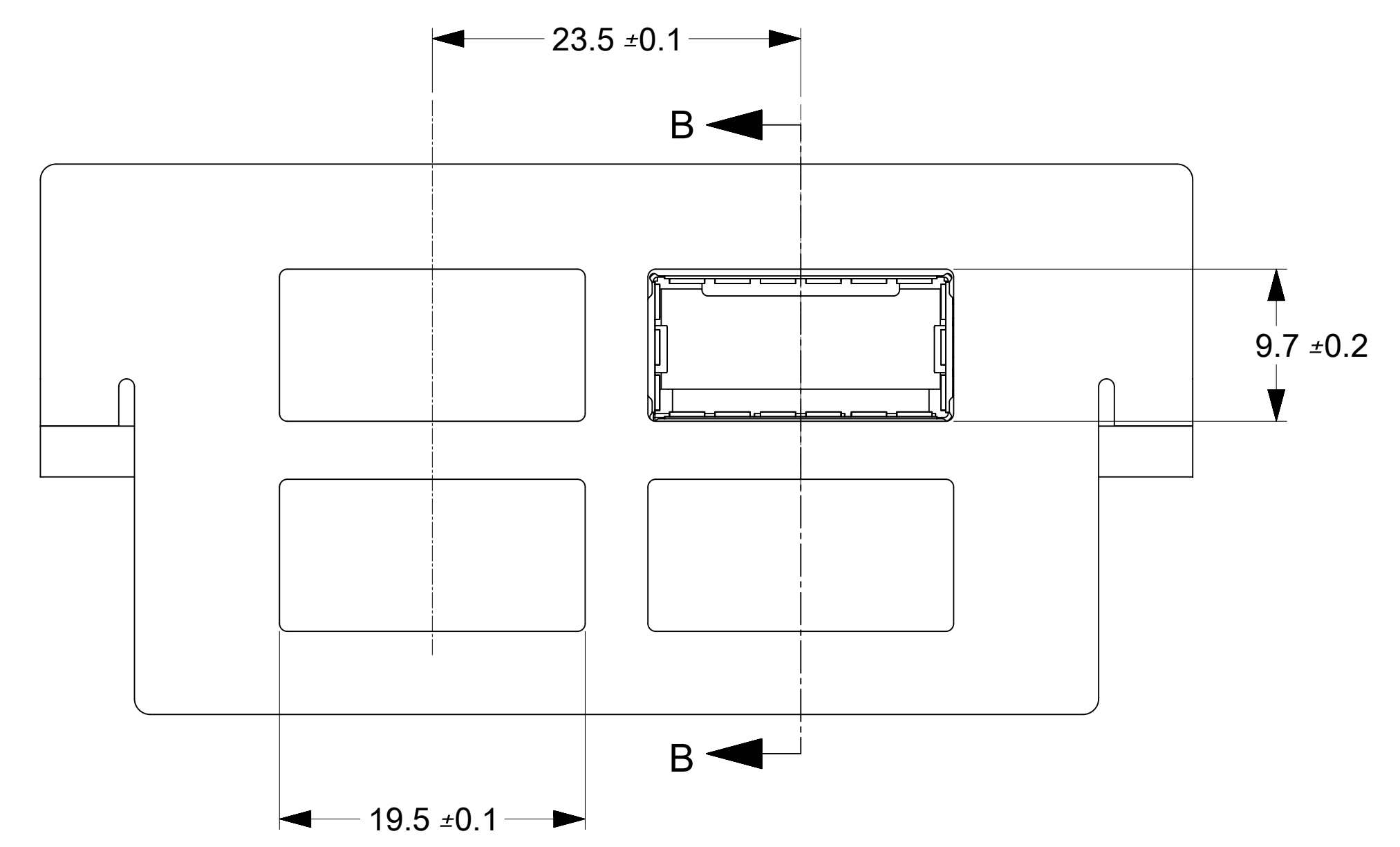


CROSSED-HATCHED AREA DENOTES COMPONENT AND TRACE KEEP-OUT (EXCEPT CHASSIS GROUND)

CROSS-HATCHED AREA TO BE CONDUCTIVE AND CONNECTED TO CHASSIS GROUND

THIS AREA DENOTES COMPONENT KEEP-OUT (TRACES ALLOWED)

▲ FOR PCI APPLICATIONS RECOMMENDED DIMENSION IS 0.4 ±0.1



THIS DRAWING CONTAINS INFORMATION THAT IS PROPRIETARY TO MOLEX ELECTRONIC TECHNOLOGIES, LLC AND SHOULD NOT BE USED WITHOUT WRITTEN PERMISSION															
DIMENSION UNITS		SCALE		CURRENT REV DESC:											
mm		3:1		molex XFP CAGE ASSEMBLY PRODUCT CUSTOMER DRAWING											
GENERAL TOLERANCES (UNLESS SPECIFIED)										EC NO: 624461		DRWN: AKUMAR19		2019/02/04	
4 PLACES ±		±								3 PLACES ±		±		2019/10/17	
2 PLACES ±		0.1								1 PLACE ±		±		2019/10/17	
0 PLACES ±		±								ANGULAR TOL ±		1.0 °			
DRAFT WHERE APPLICABLE MUST REMAIN WITHIN DIMENSIONS				THIRD ANGLE PROJECTION		DRAWING		SERIES							
D-DRAWING		D-SIZE		74736		MATERIAL NUMBER		CUSTOMER							
SEE TABLE		GENERAL MARKET		SHEET NUMBER		2 OF 3									

DOCUMENT STATUS	P1	RELEASE DATE	2019/10/17	02:39:02
-----------------	----	--------------	------------	----------

DATE	REV	DESCRIPTION
2015/11/05	G	SHEET 1: H15: CHANGED DIM 2.28 REF. TO DIM 2.28 +/-0.13. H19: CHANGED DIM 9.70 REF. TO DIM 9.70 +/-0.13.
2019/02/04	H	SHEET 1: OBSOLETE PART NUMBER 747360223

THIS DRAWING CONTAINS INFORMATION THAT IS PROPRIETARY TO MOLEX ELECTRONIC TECHNOLOGIES, LLC AND SHOULD NOT BE USED WITHOUT WRITTEN PERMISSION									
DIMENSION UNITS		SCALE		CURRENT REV DESC:				molex	
mm		1:1							
GENERAL TOLERANCES (UNLESS SPECIFIED)				EC NO: 624461		2019/02/04		XFP CAGE ASSEMBLY	
		MM	INCH	DRWN: AKUMAR19					
4 PLACES	±		±	2019/10/17		CHK'D: GGA		PRODUCT CUSTOMER DRAWING	
3 PLACES	±		±	2019/10/17		APPR: GGA			
2 PLACES	±	0.1	±	2019/10/17		INITIAL REVISION:		DOCUMENT NUMBER	
1 PLACE	±	0.25	±			DRWN: KLLOYD			
0 PLACES	±		±			2004/05/14		SD-74736-220	
ANGULAR TOL		± 1.0 °		APPR: RMAHMOOD		2010/11/09		PSD	
DRAFT WHERE APPLICABLE MUST REMAIN WITHIN DIMENSIONS		THIRD ANGLE PROJECTION		DRAWING		SERIES		REVISION	
				D-SIZE		74736		H	
				MATERIAL NUMBER		CUSTOMER		SHEET NUMBER	
				SEE TABLE		GENERAL MARKET		3 OF 3	

DOCUMENT STATUS	P1	RELEASE DATE	2019/10/17	02:39:02
-----------------	----	--------------	------------	----------