

**NOTES**

- 1. 材料及び仕上げ(めっき仕様) : TABLE 1 参照  
MATERIAL AND FINISHES : SEE TABLE 1
- 2. 梱包形態 : SHEET 3 参照  
PACKAGING INFORMATION : SEE SHEET 3
- 3. 嵌合相手 : 78172 シリーズ  
MATES WITH:78172 SERIES
- 4. 製品仕様書 : 781720000-PS PS 000  
PRODUCT SPECIFICATION:781720000-PS PS 000
- 5. アプリケーション仕様書(コネクタ取扱い説明書) : AS-78172-001  
APPLICATION SPECIFICATION(CONNECTOR MANUAL):AS-78172-001
- 6. 端子テール部及びネイルの平坦度:0.1 MAX.  
平らなゲージ面にコネクタを配置してから測定する。  
TAIL AND NAIL COPLANARITY TO BE 0.1 MAX. TO BE MEASURED BY PLACING THE CONNECTOR ON FLAT GAUGE SURFACE.
- 7. ELV及びRoHS適合品。  
ELV & RoHS COMPLIANT.

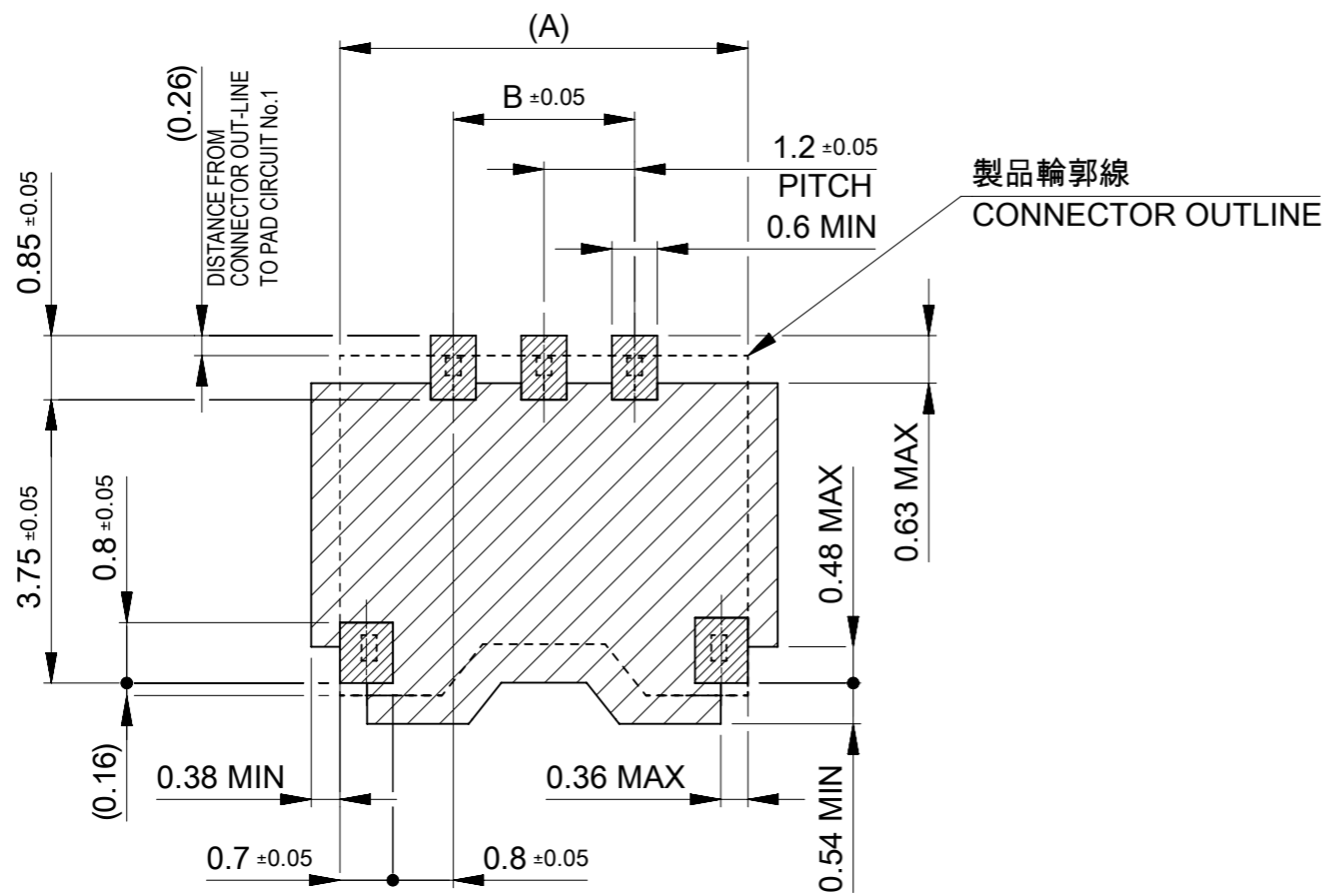
**TABLE 1**


番号 No.	部品 PART	仕様 SPECIFICATION	
1	ハウジング HOUSING	液晶ポリマー(LCP), ガラス充填, UL94 V-0, 色 : 黒 LIQUID CRYSTAL POLYMER (LCP), GLASS FILLED, UL94 V-0, COLOR:BLACK	
2	ターミナル TERMINAL	材料 MATERIAL	黄銅 BRASS
		下地めっき UNDER PLATING	ニッケルめっき:1.0 micro-meter MIN NICKEL: 1.0 micro-meter MIN
		接点部めっき CONTACT PLATING	金めっき 0.1 micro-meter MIN GOLD 0.1 micro-meter MIN
3	ネイル NAIL	材料 MATERIAL	黄銅 BRASS
		下地めっき UNDER PALATING	ニッケルめっき:1.0 micro-meter MIN NICKEL: 1.0 micro-meter MIN
		表面めっき SURFACE PLATING	錫めっき 1.5 micro-meters MIN MATTE TIN PLATING 1.5 micro-meters MIN


5.1	6.2	4.8	7.8	781710005	5
3.9	5.0	3.6	6.6	781710004	4
2.7	3.8	2.4	5.4	781710003	3
1.5	2.6	1.2	4.2	781710002	2
D	C	B	A	発注番号 ORDER No	極数 CIRCUIT SIZE

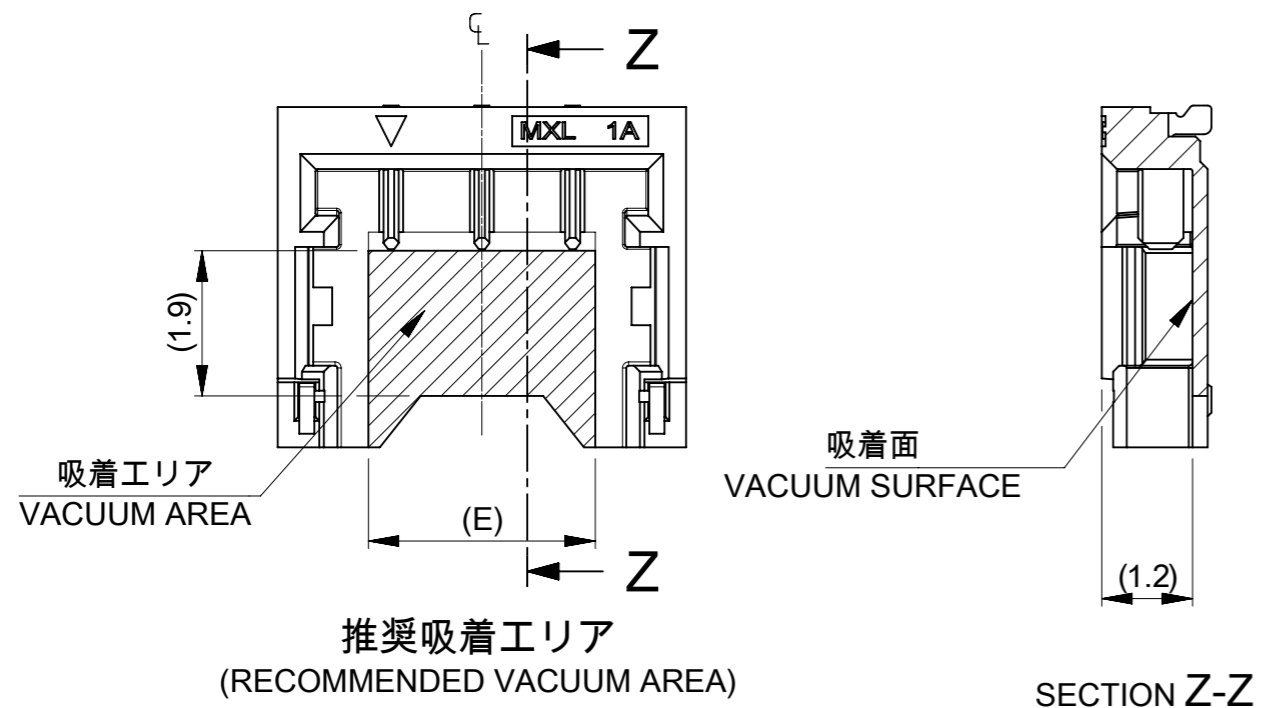
THIS DRAWING CONTAINS INFORMATION THAT IS PROPRIETARY TO MOLEX ELECTRONIC TECHNOLOGIES, LLC AND SHOULD NOT BE USED WITHOUT WRITTEN PERMISSION

DIMENSION UNITS	SCALE	CURRENT REV DESC: REDRAWN		<b>molex</b>		
mm	NTS					
GENERAL TOLERANCES (UNLESS SPECIFIED)				PICO-EZMATE 1.2 WIRE TO BOARD CONNECTOR 2-5 CKT PLUG ASSEMBLY		
ANGULAR TOL ± 3.0°				PRODUCT CUSTOMER DRAWING		
4 PLACES	± 0.2	EC NO: 677110	2018/06/15	DOCUMENT NUMBER		DOC TYPE
3 PLACES	± 0.2	DRWN: SNAKAMURA08	2022/06/06	781710000-SD		PSD
2 PLACES	± 0.2	CHK'D: SAKIYAMA	2022/06/07	PART NUMBER		000
1 PLACE	± 0.2	APPR: AIDA	2022/06/07	CUSTOMER		A
0 PLACES	± 0.2	INITIAL REVISION:		SHEET NUMBER		1 OF 3
DRAFT WHERE APPLICABLE MUST REMAIN WITHIN DIMENSIONS		THIRD ANGLE PROJECTION	DRAWING	SERIES	MATERIAL NUMBER	CUSTOMER
			A3-SIZE	78171	SEE CHART	GENERAL

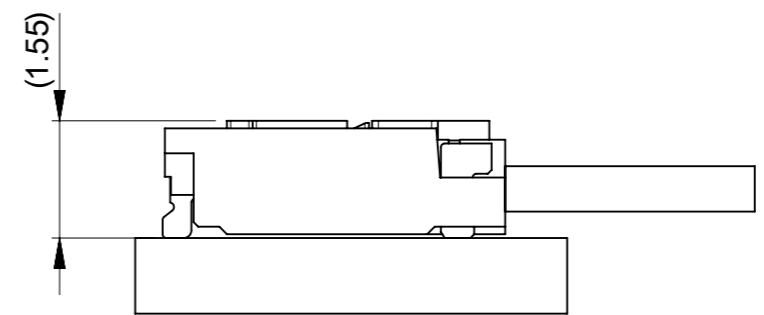
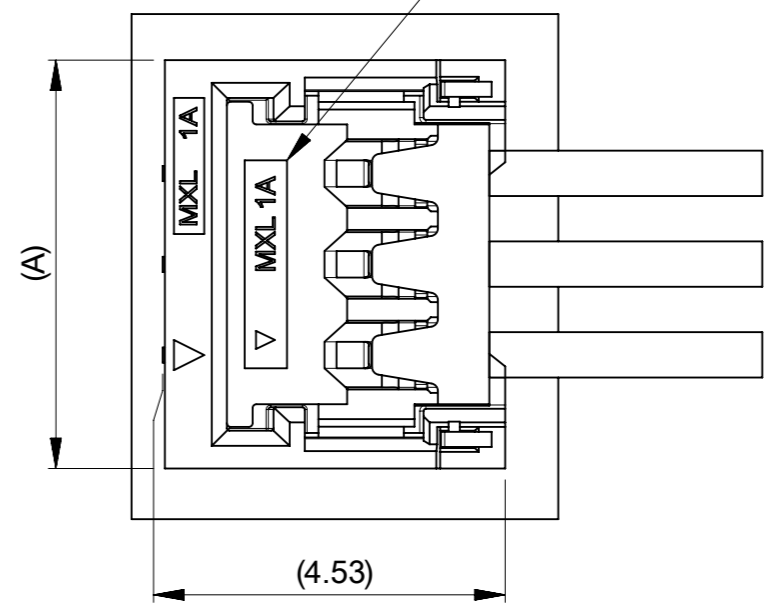


 推奨基板レイアウト：実装面側  
 (参考：基板厚1.0mm、メタルマスク厚さ 0.1mm、マスク開口100%)  
 RECOMMENDED PCB LAYOUT : COMPONENT SIDE  
 (REFERENCE: PCB THICKNESS 1.0mm, STENCIL THICKNESS 0.1mm APERTURE RATIO 100%)

 パターン非推奨エリア  
 パターンを引き回す際は、製品機能に影響がないことをご確認ください。  
 PATTERN IS NOT RECOMMENDED ON THE HATCHED AREA.  
 PLEASE CHECK NOT TO HAVE PROBLEM FOR PRODUCT FUNCTION  
 WHEN SETTING PATTERN ON THE HATCHED AREA.



3 嵌合相手：78172シリーズ  
 MATE WITH : 78172 SERIES

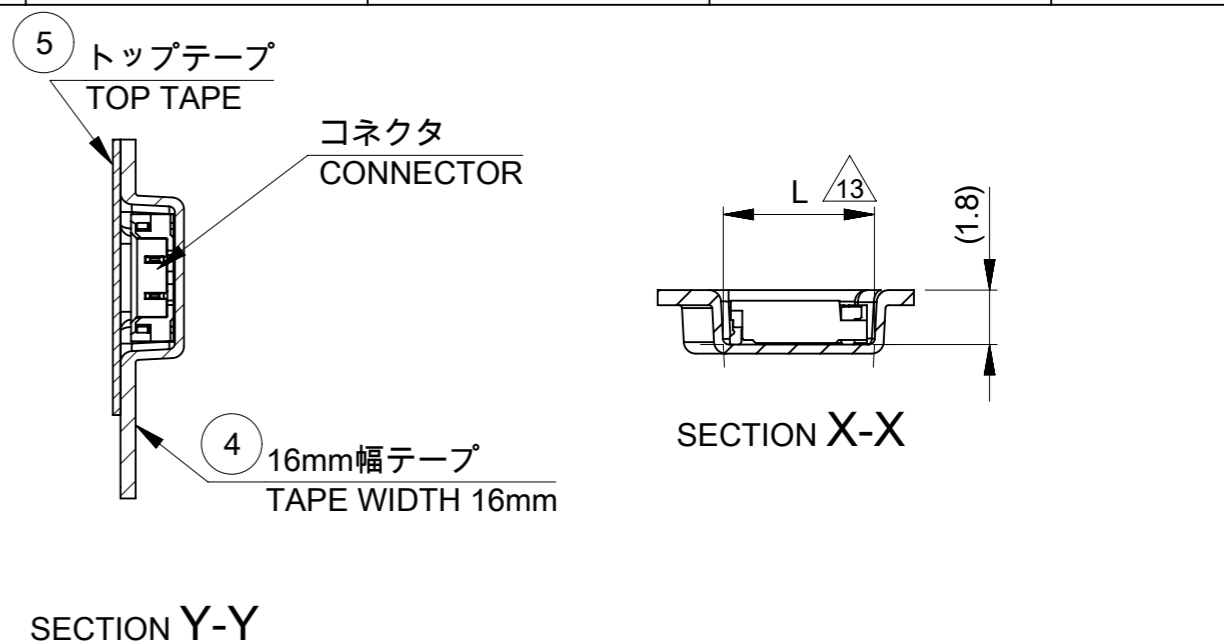
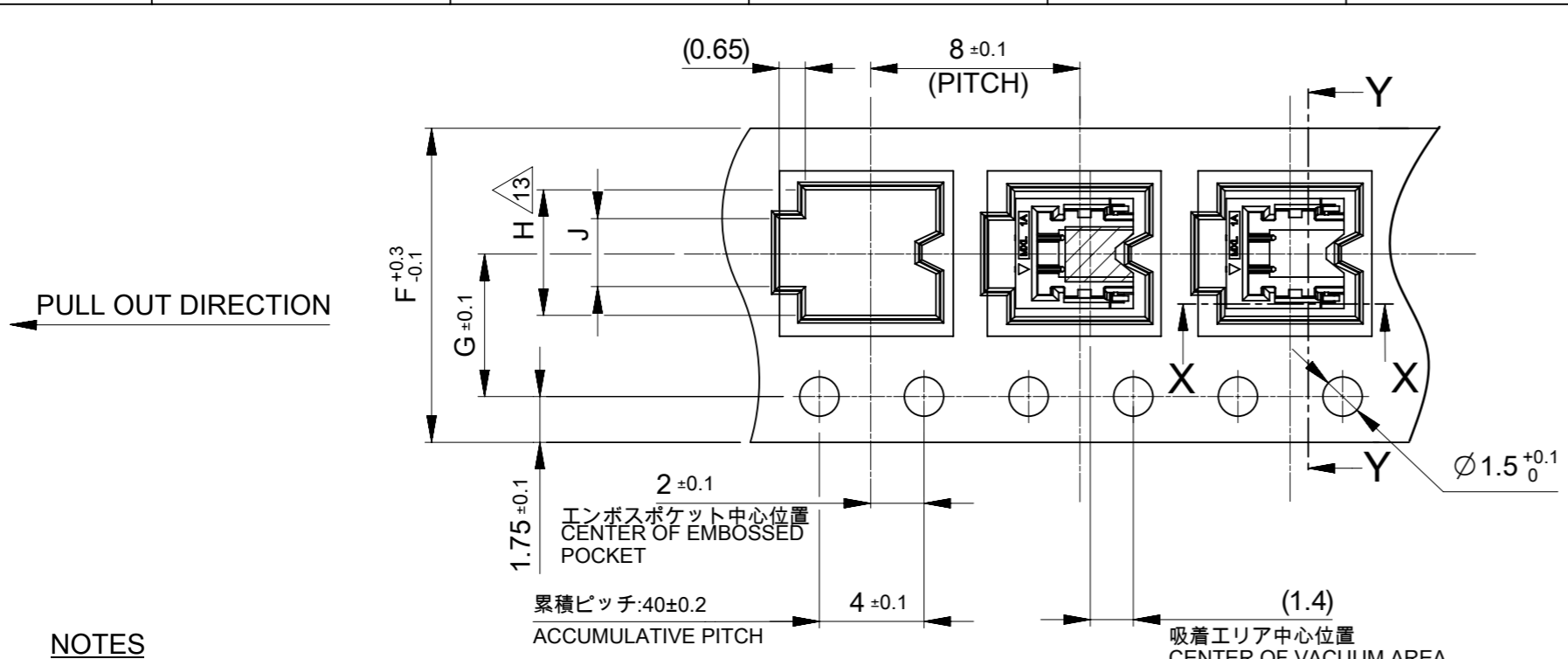


嵌合図  
MATED CONNECTORS

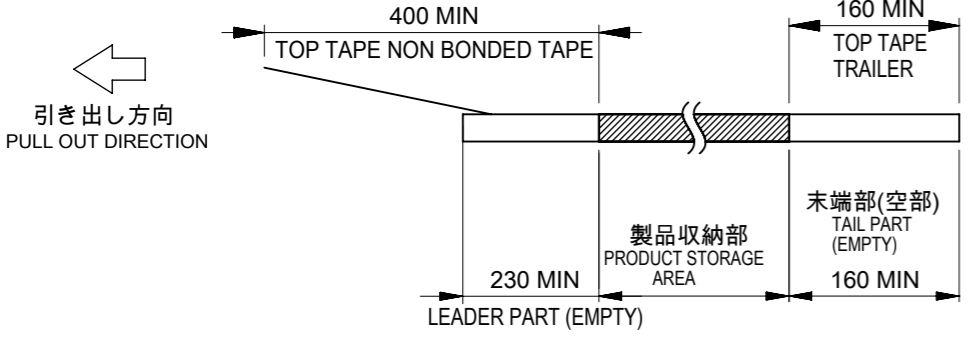
5.1	5
3.9	4
2.7	3
1.5	2
E	極数 CIRCUIT SIZE

THIS DRAWING CONTAINS INFORMATION THAT IS PROPRIETARY TO MOLEX ELECTRONIC TECHNOLOGIES, LLC AND SHOULD NOT BE USED WITHOUT WRITTEN PERMISSION

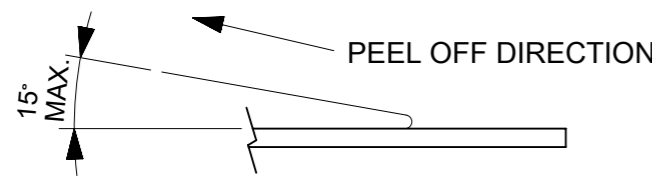
DIMENSION UNITS	SCALE	CURRENT REV DESC: REDRAWN		<b>molex</b>		
mm	NTS					
GENERAL TOLERANCES (UNLESS SPECIFIED)				PICO-EZMATE 1.2 WIRE TO BOARD CONNECTOR 2-5 CKT PLUG ASSEMBLY		
ANGULAR TOL	± 3.0°	EC NO: 677110		PRODUCT CUSTOMER DRAWING		
4 PLACES	± 0.2	DRWN: SNAKAMURA08	2018/06/15	DOCUMENT NUMBER: 781710000-SD		
3 PLACES	± 0.2	CHK'D: SAKIYAMA	2022/06/06			
2 PLACES	± 0.2	APPR: AIDA	2022/06/07	DOC TYPE: PSD	DOC PART: 000	REVISION: A
1 PLACE	± 0.2	INITIAL REVISION:		MATERIAL NUMBER: 78171		
0 PLACES	± 0.2	DRWN: SNAKAMURA08	2018/06/15	CUSTOMER: GENERAL	SHEET NUMBER: 2 OF 3	
DRAFT WHERE APPLICABLE MUST REMAIN WITHIN DIMENSIONS		THIRD ANGLE PROJECTION	DRAWING: A3-SIZE	SERIES: 78171	SEE CHART	



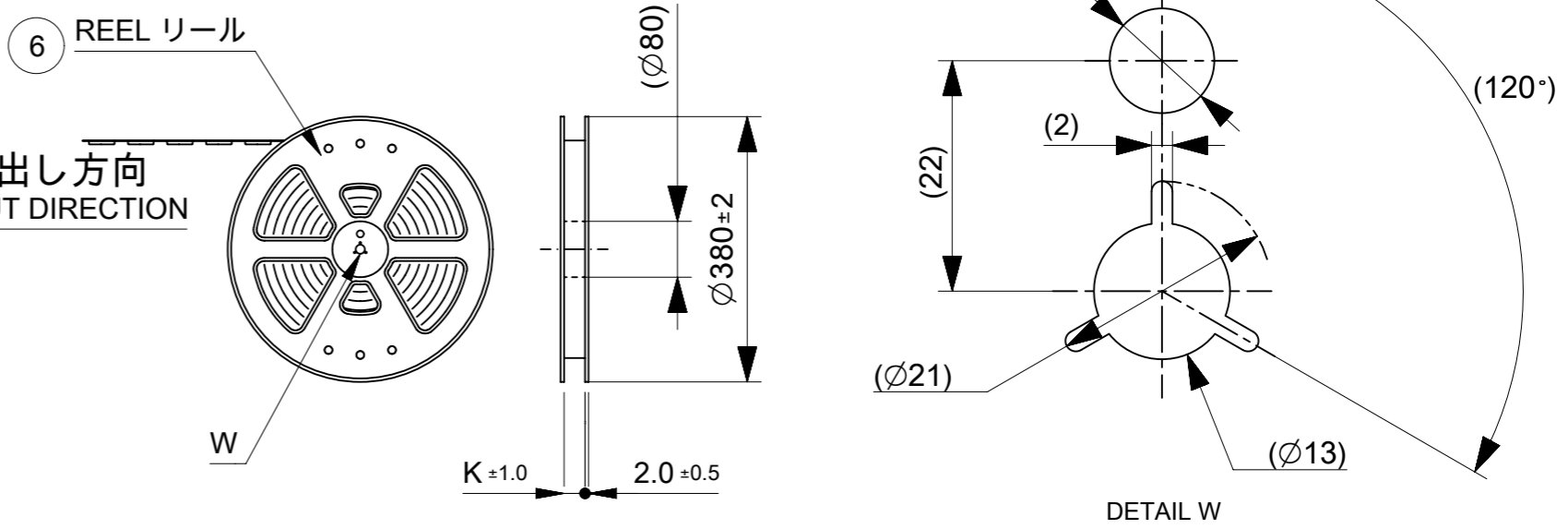
- NOTES**
- 8. 梱包数量 : 4500個/リール  
NUMBER OF CONNECTORS : 4500 PIECES/REEL
  - 9. リードテープ長さ  
LEAD TAPE LENGTH



- 10. エンボステープおよびリールはEIA-481に準拠。  
TAPE AND REEL IS DEFINED BY EIA-481.
- 11. トップテープの剥離強度 : 20gf - 80gf  
TOP TAPE PEELING FORCE: 20gf - 80gf



- 12. 梱包仕様書: SPK-78171-001  
PACKAGING SPECIFICATION: SPK-78171-001
- △13 H & Lはポケットの底面から0.3 mmの平面で測定する。  
H & L ARE MEASURED ON A PLANE 0.3 mm ABOVE THE BOTTOM OF THE POCKET.



5	17.4	6.2	8.3	7.5	16	5
		5.0	7.1			4
		3.8	5.9			3
		2.6	4.7			2
L	K	J	H	コネクタ中心位置G CENTER OF CONNECTOR	エンボステープ幅F WIDTH OF TAPE	極数 CIRCUIT SIZE

番号 NO.	部品 PART	材質 MATERIAL
4	エンボステープ EMBOSSSED TAPE	ポリプロピレン(PP)、色: クリア POLYPROPYLENE(PP), COLOR: CLEAR
5	トップテープ TOP TAPE	ポリエチレン(PE)、その他 POLYETHYLENE(PE), etc
6	リール REEL	ポリスチレン(PS)、色 : 黒 <リサイクル材を含む> POLYSTYRENE(PS), COLOR: BLACK <RECYCLE MATERIAL CONTAINED>

THIS DRAWING CONTAINS INFORMATION THAT IS PROPRIETARY TO MOLEX ELECTRONIC TECHNOLOGIES, LLC AND SHOULD NOT BE USED WITHOUT WRITTEN PERMISSION

DIMENSION UNITS: mm SCALE: NTS CURRENT REV DESC: REDRAWN

**molex**

PICO-EZMATE 1.2 WIRE TO BOARD CONNECTOR  
2-5 CKT PLUG ASSEMBLY

PRODUCT CUSTOMER DRAWING

DOCUMENT NUMBER: 781710000-SD DOC TYPE: PSD DOC PART: 000 REVISION: A

DRAFT WHERE APPLICABLE MUST REMAIN WITHIN DIMENSIONS THIRD ANGLE PROJECTION DRAWING: A3-SIZE SERIES: 78171 MATERIAL NUMBER: SEE CHART CUSTOMER: GENERAL SHEET NUMBER: 3 OF 3