

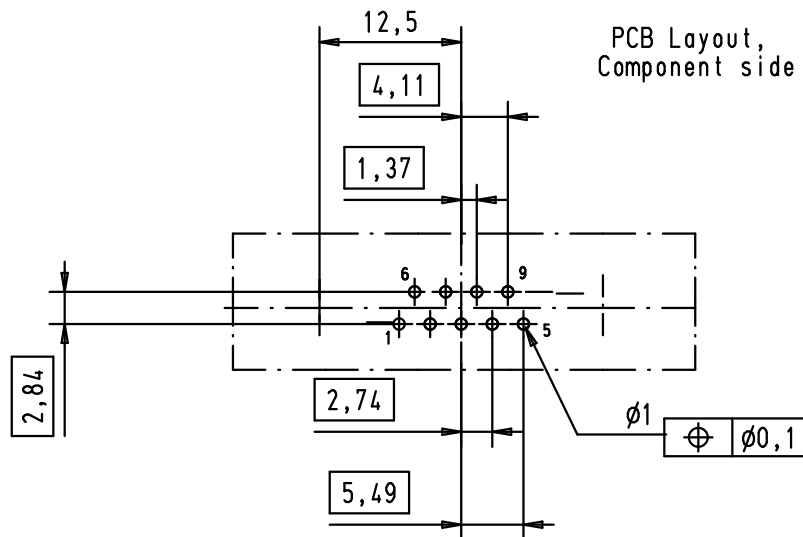
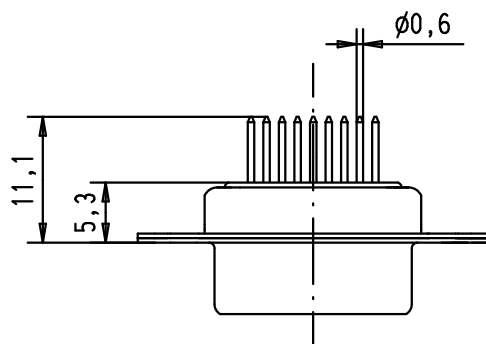
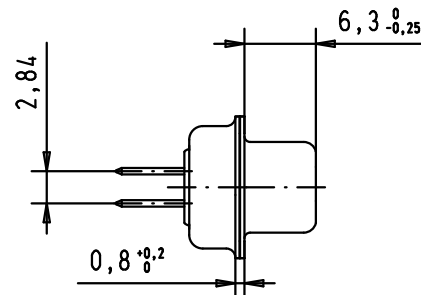
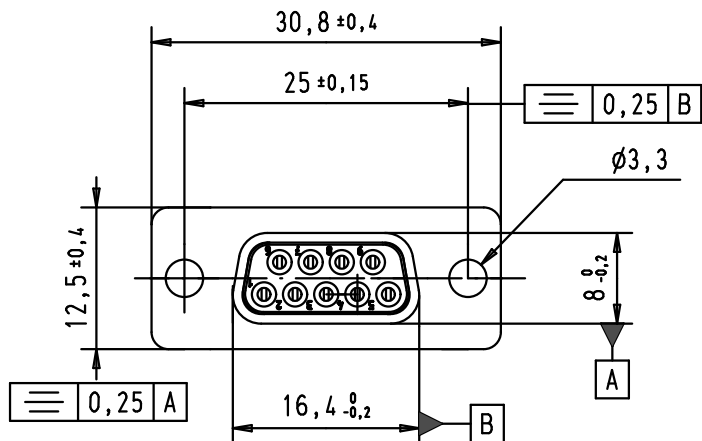
5

4

3

2

1



SPECIFICATION

Performance level	PL2
Filter type	C
Capacitance	47pf $\pm 20\%$
Working Voltage	100V
Current rating	7.5 A
Insulation Resistance	>1G Ω

Minimum Insertion Loss

FREQUENCY (MHz)	ATTENUATION dB
5	-
10	-
50	-
100	-
500	30dB
1000	35dB

D

C

B

A

Mod.	Dat.	Name	Detail.	Dat.	Name
			Insp.	09/12/11	JB
36283	09/12/11	SD	Stand.		
31894	29/04/04	AF			
31058	8-JUL-02	CV			
			HARTING EURL F-95972 Paris		



All Dim. in mm
Orig. Size DIN A 4



D-Sub, female, straight
9 Poles, turned solder
pin, fixing hole

TB 09641127210

Sub.

Mo?Mstab/
Scale

1.5:1

Blatt/ Page

1 / 1