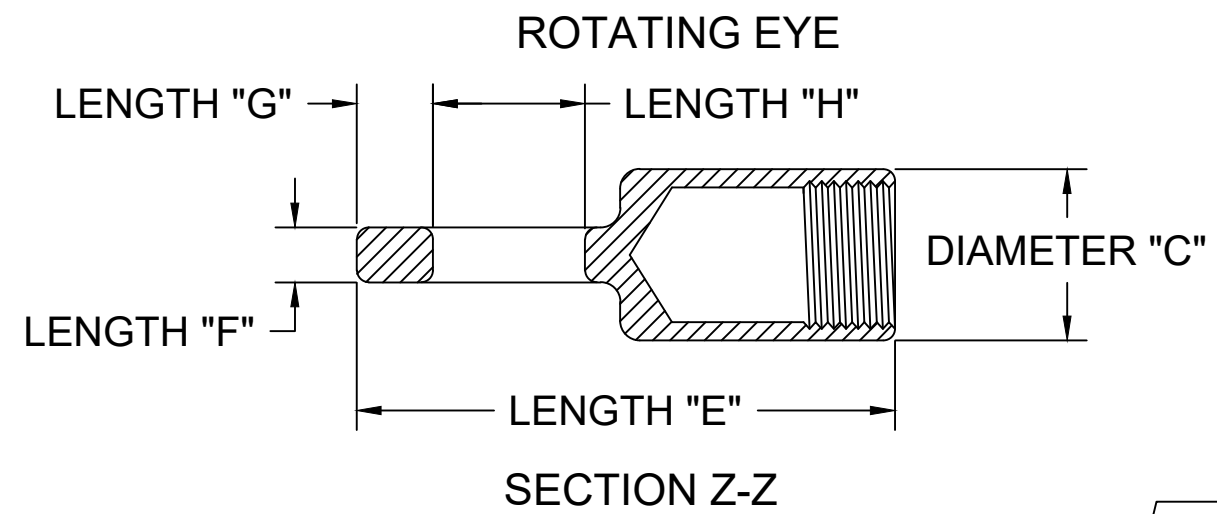
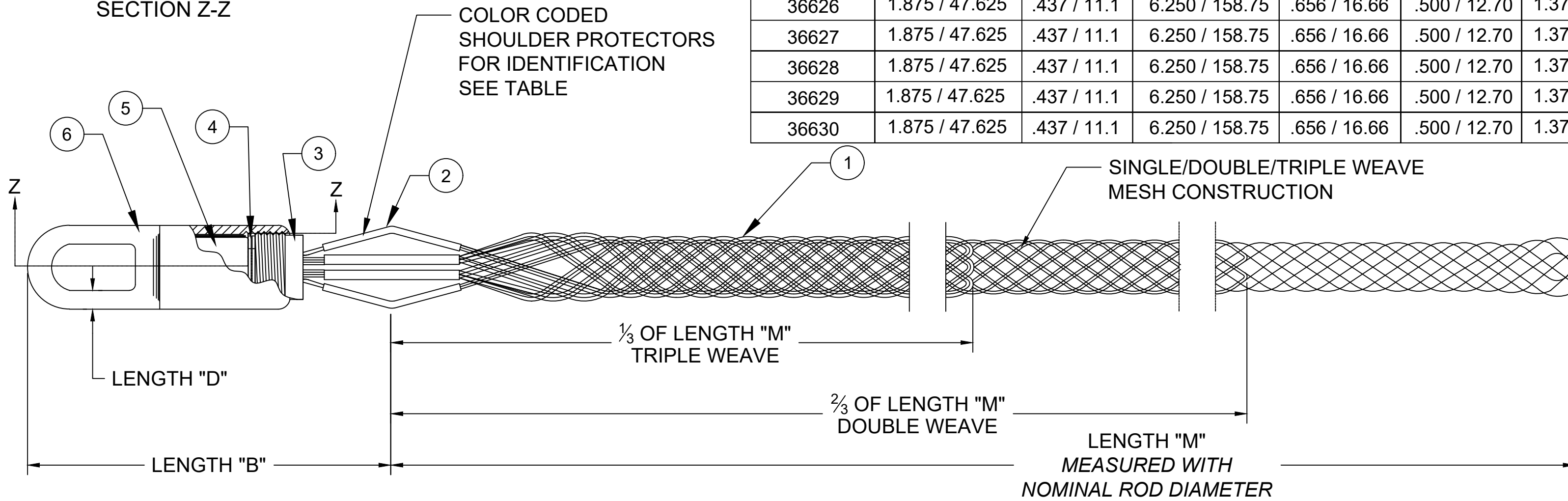


CATALOG NUMBER	MATERIAL NUMBER	CABLE RANGE	NOMINAL ROD DIAMETER	LENGTH "M"	LENGTH "B"	COLOR CODE	APPROXIMATE BREAK STRENGTH* (LBS / N)	UL LISTED	CSA APPROVED	PRODUCT SELECTION NUMBER
36624	1300950282	1.25-1.49 / 31.8-37.8	1.37 / 34.8	56.00±5.00 / 1422.4±127.0	8.00±1.00 / 203.2±25.4	BLACK	30600 / 136116	NO	YES	PR125-56MS
36625	1300950283	1.50-1.74 / 38.1-44.2	1.62 / 41.1	60.00±5.00 / 1524.0±127.0	9.00±1.00 / 228.6±25.4	RED	30600 / 136116			PR150-60MS
36626	1300950284	1.75-2.24 / 44.5-56.9	2.00 / 50.8	70.00±6.00 / 1778.0±152.4	10.00±1.00 / 254.0±25.4	DARK BLUE	48000 / 213515			PR175-70MS
36627	1300950285	2.00-2.49 / 50.8-63.2	2.25 / 57.2	50.00±5.00 / 1270.0±127.0	10.00±1.00 / 254.0±25.4	YELLOW	48000 / 213515			PR200-50MS
36628	1300950286	2.50-2.99 / 63.5-75.9	2.75 / 69.9	52.00±5.00 / 1320.8±127.0	10.00±1.00 / 254.0±25.4	ORANGE	48000 / 213515			PR250-52MS
36629	1300950287	3.00-3.49 / 76.2-88.6	3.25 / 82.6	54.00±5.00 / 1371.6±127.0	10.00±1.00 / 254.0±25.4	ALUMINUM	48000 / 213515			PR300-54MS
36630	-----	3.50-3.99 / 88.9-101.3	3.75 / 95.3	56.00±5.00 / 1422.4±127.0	10.00±1.00 / 254.0±25.4	LIGHT GREEN	48000 / 213515			PR350-56MS

\*TO DETERMINE RECOMMENDED WORKING LOAD, DIVIDE BREAK STRENGTH BY 5.



ROTATING EYE DIMENSIONS - REFERENCE						
CATALOG NUMBER	DIAMETER "C"	LENGTH "D"	LENGTH "E"	LENGTH "F"	LENGTH "G"	LENGTH "H"
36620	.875 / 22.23	.187 / 4.75	2.750 / 69.85	.281 / 7.14	.250 / 6.35	.875 / 22.23
36621	1.000 / 25.40	.219 / 5.56	3.625 / 92.08	.500 / 12.70	.312 / 7.92	.906 / 23.01
36622	1.000 / 25.40	.219 / 5.56	3.625 / 92.08	.500 / 12.70	.312 / 7.92	.906 / 23.01
36623	1.375 / 34.93	.344 / 8.74	4.625 / 117.48	.500 / 12.70	.375 / 9.53	1.000 / 25.40
36624	1.625 / 41.275	.375 / 9.53	5.437 / 138.10	.625 / 15.88	.500 / 12.70	1.187 / 30.15
36625	1.875 / 47.625	.437 / 11.1	6.250 / 158.75	.656 / 16.66	.500 / 12.70	1.375 / 34.93
36626	1.875 / 47.625	.437 / 11.1	6.250 / 158.75	.656 / 16.66	.500 / 12.70	1.375 / 34.93
36627	1.875 / 47.625	.437 / 11.1	6.250 / 158.75	.656 / 16.66	.500 / 12.70	1.375 / 34.93
36628	1.875 / 47.625	.437 / 11.1	6.250 / 158.75	.656 / 16.66	.500 / 12.70	1.375 / 34.93
36629	1.875 / 47.625	.437 / 11.1	6.250 / 158.75	.656 / 16.66	.500 / 12.70	1.375 / 34.93
36630	1.875 / 47.625	.437 / 11.1	6.250 / 158.75	.656 / 16.66	.500 / 12.70	1.375 / 34.93



INSTRUCTION SHEET TO BE INCLUDED WITH GRIP.

ITEM	DESCRIPTION	MATERIAL
1	WIRE MESH	GALVANIZED STEEL
2	SHOULDER PROTECTOR	ALUMINUM
3	THREADED INSERT	STEEL
4	FLAT WASHERS	NYLATRON
5	SWAGING FERRULE	STEEL
6	ROTATING EYE	STEEL

FUNCTIONAL SYMBOLS	THIS DRAWING CONTAINS INFORMATION THAT IS PROPRIETARY TO MOLEX ELECTRONIC TECHNOLOGIES, LLC AND SHOULD NOT BE USED WITHOUT WRITTEN PERMISSION		CURRENT REV DESC: OBSOLETE PART NUMBER AS PER PCN#510808	
	DIMENSION UNITS	SCALE		
	INCH/MM	NTS		
DIVISIONAL SYMBOLS	GENERAL TOLERANCES (UNLESS SPECIFIED)		EC NO: 736640	
			DRWN: SUGEEB 2022/12/21	
	4 PLACES	±----	±----	CHK'D: LIKITV 2023/02/10
	3 PLACES	±----	±0.005	APPR: GGA 2023/02/16
	2 PLACES	±0.13	±0.01	INITIAL REVISION:
	1 PLACE	±0.25	±0.02	DRWN: HRUIZ01 2014/09/04
	0 PLACES	±----	±----	APPR: JFMURPHY 2015/03/23
	ANGULAR TOL ± 0.5 °		THIRD ANGLE PROJECTION	
DRAFT WHERE APPLICABLE MUST REMAIN WITHIN DIMENSIONS		DRAWING		SHEET NUMBER
		C-SIZE		130095
DOCUMENT STATUS	P1	RELEASE DATE	2023/02/16 05:36:34	1

**molex**

PULLING GRIPS  
MULTI-WEAVE ROTATING EYE

PRODUCT CUSTOMER DRAWING

DOCUMENT NUMBER: SD-130095-110    DOC TYPE: PSD    DOC PART: 001    REVISION: A1

MATERIAL NUMBER: SEE TABLE    CUSTOMER: GENERAL MARKET    SHEET NUMBER: 1 OF 1