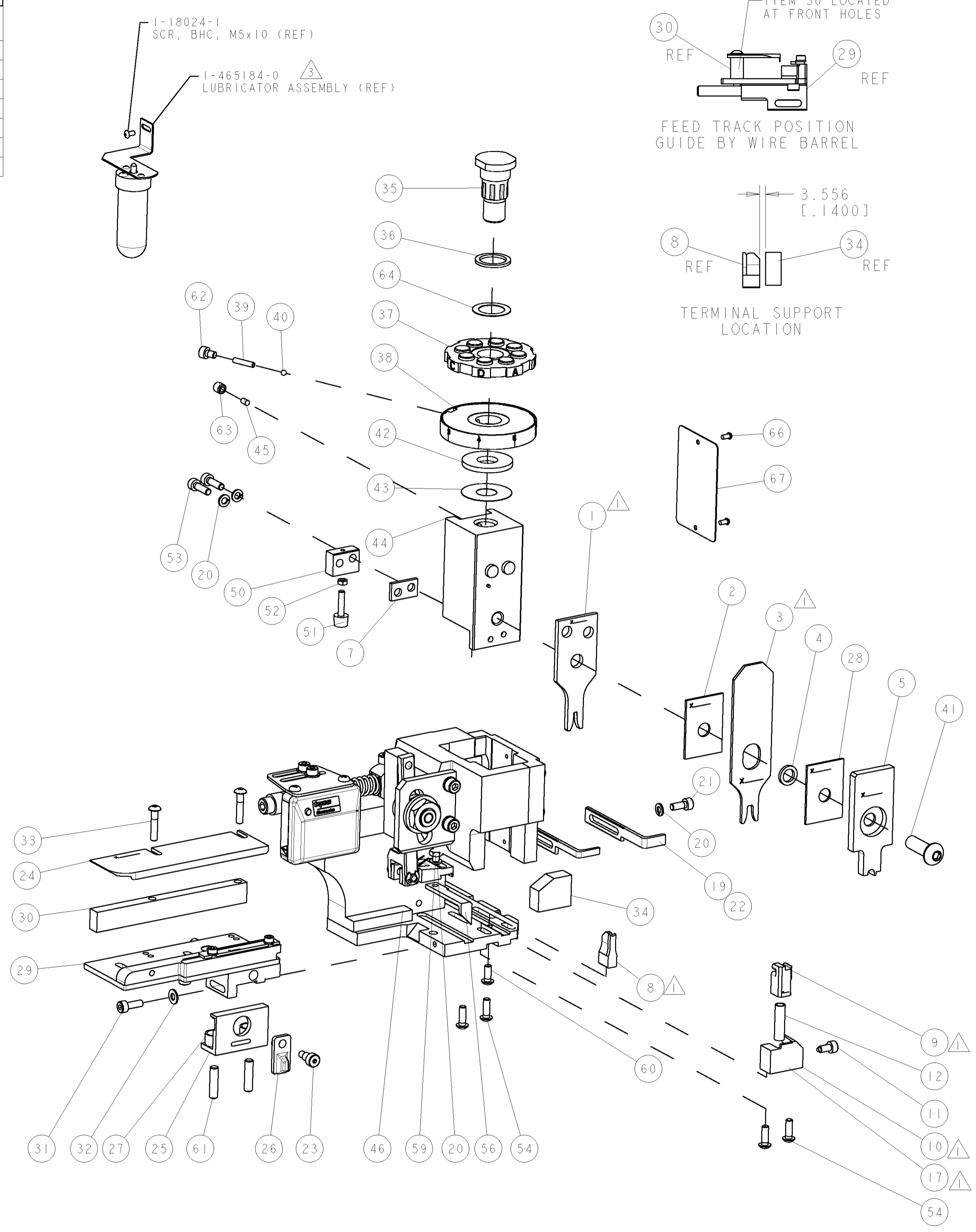
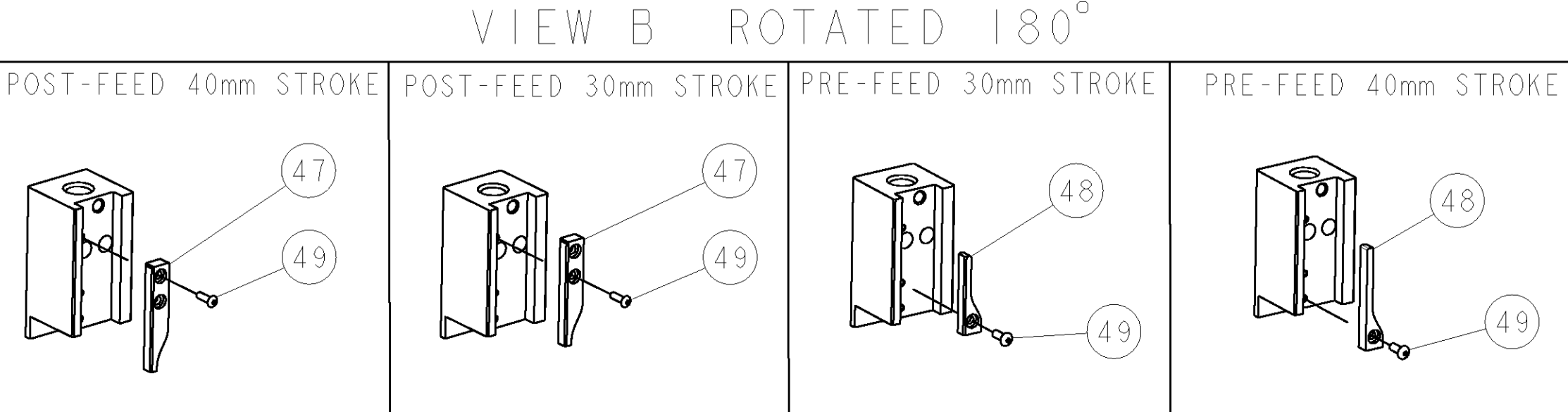


PART NUMBER	REV	TERMINATOR	FEED TYPE	DESCRIPTION
1426601-1	B	LEADMAKER	MECH POST FEED	CUTS CARRIER
1426601-2	B	BENCH	MECH PRE FEED	CUTS CARRIER
1426601-6	B	LEADMAKER	MECH POST FEED	CONTINUOUS CARRIER
7-1426601-1	B	LEADMAKER	MECH POST FEED	-1 AND SPARE PARTS
7-1426601-2	B	BENCH	MECH PRE FEED	-2 AND SPARE PARTS
7-1426601-6	B	LEADMAKER	MECH POST FEED	-6 AND SPARE PARTS
7-1426601-7	B	-	-	SPARE PARTS KIT

CRIMP DATA		TYCO TERMINAL		TYCO CRIMP SPECS	
TERMINAL NAME: .070 SERIES ECONOSEAL 3 TAB					
CRIMP	SIZE	TYPE	RANGE		
WIRE	2.29 [.090 IN]	F	0.75-2.00mm <sup>2</sup>		
INSUL	4.06 [1.60 IN]	SP. F	1.85-2.70 [1.073-1.106 IN]		
WIRE STRIP LENGTH 4.00-4.50 [1.57-1.77 IN]		APPL INSTRUCTIONS 408-8322			
TERMINAL APPL SPEC 114-3040		FEED 9.80 [3.86 IN]			
TERMINALS APPLIED					
345807	-	-	-	-	-
-	-	-	-	-	-
-	-	-	-	-	-
-	-	-	-	-	-
WIRE SIZE	CRIMP HEIGHT	PINPN & LENGTH [IN]			
2.00 mm <sup>2</sup>	1.75 ±0.05 [.069 ±.002 IN]	9-354778-4 [.2965]			
1.50 mm <sup>2</sup>	1.57 ±0.05 [.062 ±.002 IN]	354779-9 [.3035]			
1.00 mm <sup>2</sup>	1.37 ±0.05 [.054 ±.002 IN]	2-354779-6 [.3120]			
0.75 mm <sup>2</sup>	1.30 ±0.05 [.051 ±.002 IN]	3-354779-2 [.3150]			

- RECOMMENDED SPARE PARTS.
- GREASE RAM, CAM, CAM FOLLOWER AND FEED ROD LIGHTLY.
- CERTAIN TERMINALS REQUIRE LUBRICATION. REFER TO THE APPLICATOR INSTRUCTION SHEET FOR MORE INFORMATION.
- LUBRICATE DAILY PER THE APPLICATOR INSTRUCTION SHEET SUPPLIED WITH THE APPLICATOR.



PART NO	DESCRIPTION	ITEM NO
-77	-76	-72
-71	-6	-2
-1	-	-
-	-	84
-	-	83
-	-	82
-	-	81
-	-	80
-	-	79
-	-	78
-	-	77
-	-	76
-	-	75
-	-	74
-77	-76	-72
-71	-6	-2
-1	-	-

SET UP GAGE		REV		DATE		BY	
458637-3		A	66	18APR2006		DP	
		B		16JUN2006		LG	

REV	DATE	DESCRIPTION	BY	APPROV			
-	-	-	-	73			
-	-	-	-	72			
-	1	1	1	1338705-1	DOCUMENTATION PACKAGE	71	
-	-	-	-	-	-	70	
-	-	-	-	-	-	69	
-	-	-	-	-	-	68	
-	1	1	1	461264-1	PLATE, IDENTIFICATION	67	
-	2	2	2	21017-2	SCREW, DRIVE	66	
-	-	-	-	-	-	65	
-	1	1	1	986950-1	WASHER, FLAT PRECISION	64	
-	1	1	1	3-18031-0	SCR, SET, CUP POINT M6 X 6.0	63	
-	1	1	1	18023-9	SCR, SKT HD CAP M4 X 6.0	62	
-	2	2	2	2-18032-5	SCR, SET, FLT POINT M5 X 20.0	61	
-	1	1	1	18024-7	SCR, BTN SKT HD CAP (M4 X 10.0)	60	
-	1	1	1	5-18022-2	SCR, HEX HD CAP M4 X 8.0	59	
-	-	-	-	-	-	58	
-	-	-	-	-	-	57	
-	1	1	1	1338685-1	PAWL, FEED	56	
-	-	-	-	-	-	55	
-	4	4	4	4	18024-8	SCR, BTN SKT HD CAP (M4 X 12.0)	54
-	2	2	2	2	9-18023-6	SCR, SKT HD CAP M4 X 14.0	53
-	1	1	1	1	18030-1	NUT, HEX, REG M3	52
-	1	1	1	1	811242-5	BUMPER, HOLD DOWN	51
-	1	1	1	1	690753-2	SPACER, TONKER	50
-	1	1	1	1	18024-3	SCR, BTN SKT HD CAP (M3 X 10.0)	49
-	-	-	-	1	1338675-1	CAM, UNIVERSAL PRE FEED	48
-	1	1	1	-	1338676-1	CAM, UNIVERSAL POST-FEED	47
-	1	1	1	1	1320999-3	APPLICATOR SUBASSEMBLY, HDI	46
-	1	1	1	1	690191-1	PLUG, NYLON	45
-	1	1	1	1	1338660-1	RAM	44
-	1	1	1	1	690125-1	SHIM SUB-ASSY	43
-	1	1	1	1	690124-1	WASHER, RAM (.115)	42
-	1	1	1	1	2-18024-6	SCR, BTN SKT HD CAP (M8 X 25.0)	41
-	1	1	1	1	23241-1	BALL, STEEL	40
-	1	1	1	1	2-22278-7	SPRING, COMPRESSION	39
-	1	1	1	1	1320922-1	DISC, ADJUST, INSULATION CRIMP	38
-	1	1	1	1	354777-1	WIRE DISC, ASSEMBLY	37
-	1	1	1	1	22480-5	SPRING, COMPRESSION	36
-	1	1	1	1	690212-1	POST, RAM	35
-	1	1	1	1	1320934-2	SUPPORT, TERMINAL	34
-	2	2	2	2	1-18024-0	SCR, BTN SKT HD CAP (M4 X 20.0)	33
-	1	1	1	1	18027-2	WASHER, FLAT, REG M4	32
-	1	1	1	1	1-18023-2	SCR, SKT HD CAP M4 X 12.0	31
-	1	1	1	1	1320908-8	SPACER, STRIP GUIDE	30
-	1	1	1	1	1633073-1	STRIP GUIDE ASSEMBLY	29
-	1	1	1	1	1-455888-0	SPACER, CRIMPER	28
-	2	2	2	2	1-22284-0	SPRING, COMPRESSION	27
-	1	1	1	1	356835-1	LEVER, DRAG RELEASE	26
-	1	1	1	1	240792-3	DRAG, TERMINAL	25
-	1	1	1	1	1320928-1	PLATE, STRIP GUIDE	24
-	1	1	1	1	980371-4	SCR, SKT HD SHLDR 5.0 DIA X 6.0	23
-	1	1	1	1	690472-2	STRIPPER	22
-	1	1	1	1	1-18023-1	SCR, SKT HD CAP M4 X 10.0	21
-	4	4	4	4	18025-2	WASHER, SPRG LOCK, REG M4	20
-	-	-	-	1	690472-1	STRIPPER	19
-	-	-	-	-	-	18	
-	1	-	-	-	1338684-1	SHEAR HOLDER, FRONT	17
-	-	-	-	-	-	16	
-	-	-	-	-	-	15	
-	-	-	-	-	-	14	
-	-	-	-	-	-	13	
-	1	1	1	1	3-22280-3	SPRING, COMPRESSION	12
-	1	1	1	1	356885-4	STOP, SHEAR	11
-	-	1	1	1	1320921-1	SHEAR HOLDER, FRONT, CUT	10
-	1	1	1	1	454276-1	FLOATING SHEAR, FRONT	9
1	2	2	2	1	1633132-6	ANVIL, COMBINATION .090	8
-	1	1	1	1	3-240641-7	SPACER	7
-	-	-	-	-	-	6	
-	1	1	1	1	3-455889-6	DEPRESSOR, SHEAR	5
-	1	1	1	1	238011-6	BLOCK, CRIMPER SPACER	4
1	2	2	2	1	1633471-7	CRIMPER, INSULATION F	3
-	1	1	1	1	1-455888-1	SPACER, CRIMPER	2
1	2	2	2	1	6-456406-8	CRIMPER, WIRE PREMIUM	1

DIMENSIONS: mm [IN]	TOLERANCES UNLESS OTHERWISE SPECIFIED: 0 PLC ± 1 PLC ± 2 PLC ± 3 PLC ± 4 PLC ± ANGLES ±	DWG: JL LOFTHOUSE DATE: 18-Apr-06 NAME: M. CLIFFORD PRODUCT SPEC: APPLICATION SPEC: See Table WEIGHT: CUSTOMER DRAWING:	<b>tyco</b> Tyco Electronics Harrisburg, PA 17105-3608	SIZE: A CAGE CODE: 00779 DRAWING NO: 1426601 SCALE: 3:5 SHEET: 1 OF 1 REV: B
------------------------	---	--	--	---