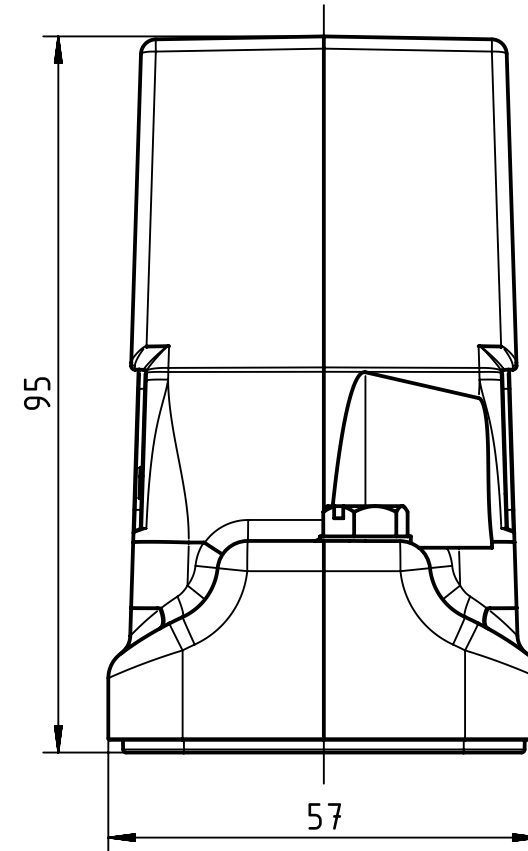
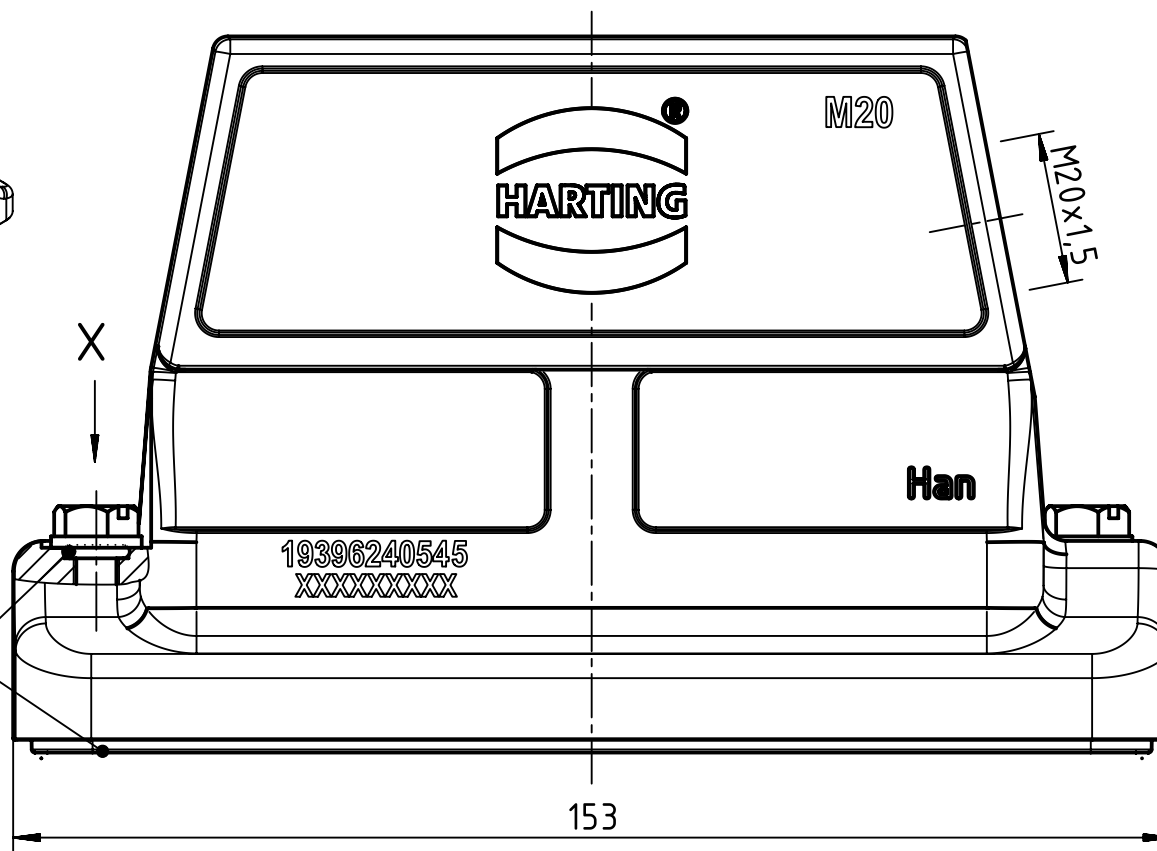
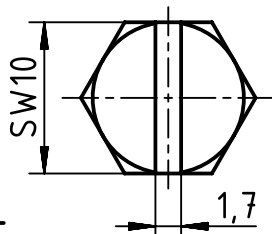
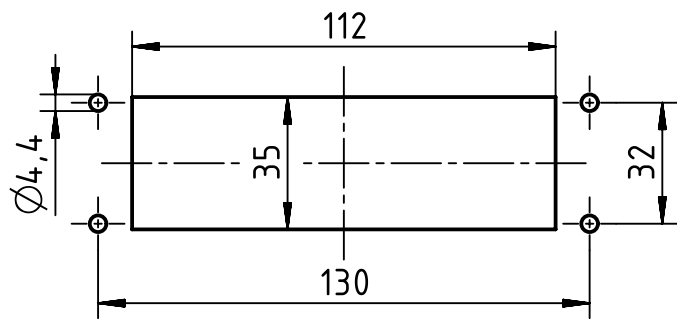


X (2:1)



Panel cut out (1:2)



	All Dimensions in mm Original Size DIN A4		Scale 1:1	Free size tol.		Ref.	
	All rights reserved Department EL PD - CN		Created by LONGL	Inspected by WENE	Standardisation RUETERA	Date 2017-10-26	State Final Release
HARTING (Zhuhai) Manufacturing Co., Ltd. 519085 Zhuhai, China			Title Han 24HP Direct/B-HSE-M20			Doc-Key / ECM-Nr. 100663442/UGD/002/E 500000127060	
			Type TB	Number 19 39 624 0545		Rev. E	Page 1/1