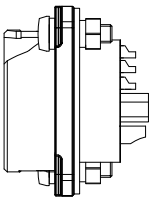
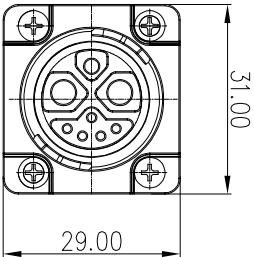
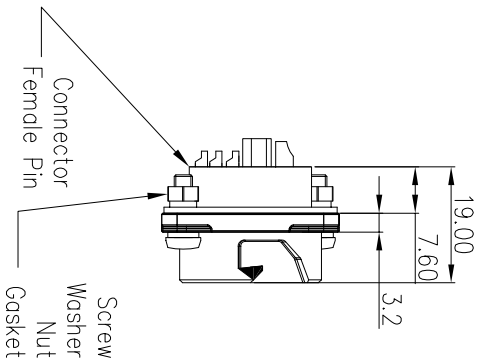
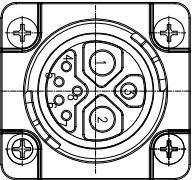


RECOMMENDED PANEL Cut-Out



24XXX636-04

Pin Number



2+1+5 Pin

P/N: 24305636-04

Pin Assignments
Front View



UNIT:mm	
TOLERANCE	
.X	±0.25
.XX	±0.15
.XXX	±0.05
ANGLES	±1°

DESCRIPTION

Large Series Push Lock
Front Square Flange With Female Pin

SCALE	1:1	SHEET	1	OF	1
REV	C1	SIZE	A4	* : Inspection Item	

CHOGORI

PART NO 24XXX636-04

DRAWN BY Liu

DATE 2019/08/13

DWG NO

CHECKED BY Mo

DATE 2019/08/13

CUSTOMER

APPROVED BY Panson

DATE 2019/08/13

REV.	EN. NO.	DESCRIPTION	SIGN	DATE
C1	N/A	INITIAL DRAWING	Liu	2019/08/13

- Specification:
- 1.Operation Temperature: -45°C~105°C.
 - 2.Insulation Resistance:100MΩ at DC500V.
 - 3.Contact Resistance:<10mΩ.
 - 4.Withstand Voltage: 1500V AC, 1min
 - 5.Operating Current: 50A+15A+5A
 - 6.Operating Voltage: AC 250V
 7. Waterproof Rate: IP67 (Mated)
 - 8.Housing: Nylon, Black
 - 9.Female Pin: Copper Alloy, Gold Plated
 - 10.Gasket: Silicon Black
 - 11.Screw: Stainless Steel
 - 12.Washer: Stainless Steel
 - 13.Nut: Stainless Steel
 - 14.RoHS Compliant.
 - 15.Mating Cap P/N: 806-00102-00