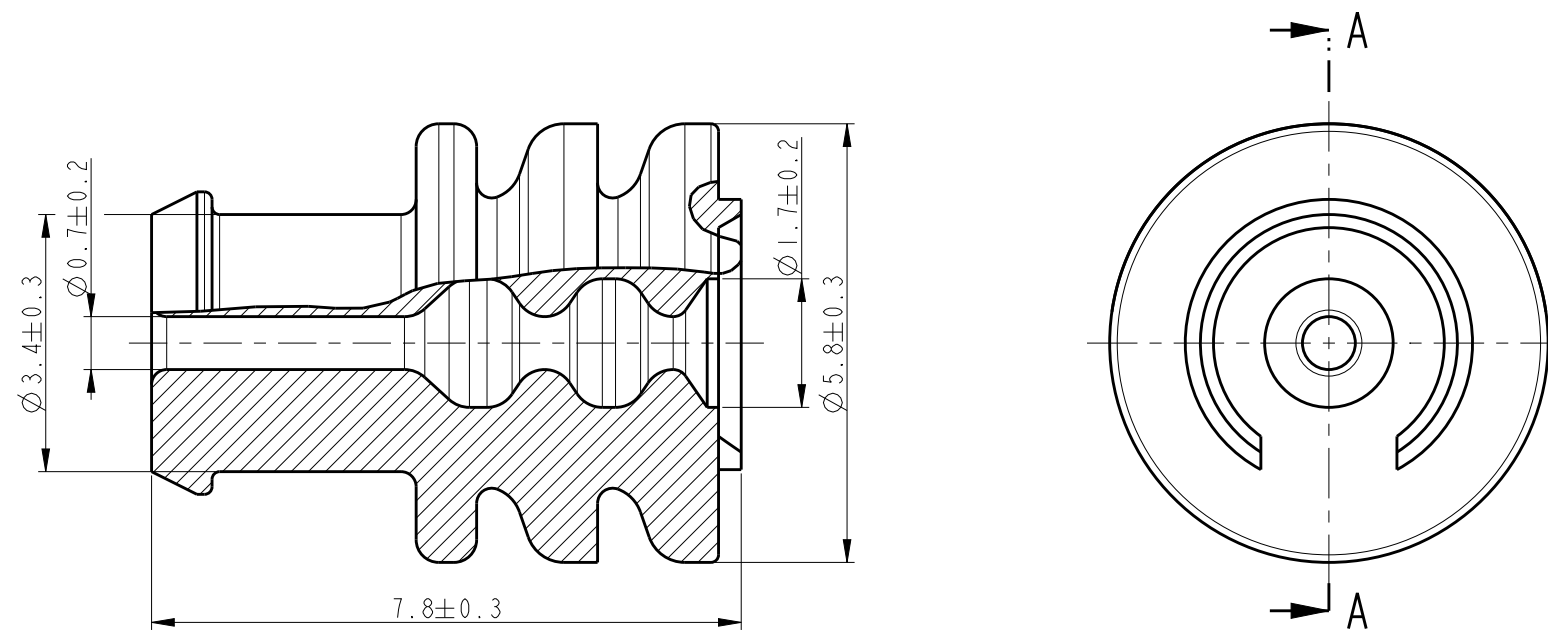


P	LTR	DESCRIPTION	DATE	DWN	APVD
	O	RELEASED (FC00-0020-00)	29FEB2000	YD	CS
	A	REVISED (FC00-0068-00)	31MAY2000	YD	CS
	B	REVISED (ECR-20-008916)	22JUL2020	YH	YJ



SECTION A - A  
SCALE 10:1

NOTE :

P/N	MATERIAL	COLOR	HARDNESS	INSULATION
368932-1	SILICONE	BLUE	40±5°(B)	∅1.2~2.1mm

THIS DRAWING IS A CONTROLLED DOCUMENT.		DWN YD LEE																											
DIMENSIONS: mm		CHK -																											
		APVD CS LFF	NAME NEW WIRE SEAL FOR JPT (TYPE 1)																										
TOLERANCES UNLESS OTHERWISE SPECIFIED:		PRODUCT SPEC	-																										
<table border="0"> <tr> <td>0 PLC</td> <td>±</td> <td>0 &lt;XX&lt;10</td> <td>±</td> <td>0.2</td> </tr> <tr> <td>1 PLC</td> <td>±</td> <td>10 &lt;XX&lt;30</td> <td>±</td> <td>0.25</td> </tr> <tr> <td>2 PLC</td> <td>±</td> <td>30 &lt;XX</td> <td>±</td> <td>0.3</td> </tr> <tr> <td>3 PLC</td> <td>±</td> <td>ANGLES</td> <td>±</td> <td>3°</td> </tr> <tr> <td>4 PLC</td> <td>±</td> <td>ANGLES</td> <td>±</td> <td></td> </tr> </table>		0 PLC	±	0 <XX<10	±	0.2	1 PLC	±	10 <XX<30	±	0.25	2 PLC	±	30 <XX	±	0.3	3 PLC	±	ANGLES	±	3°	4 PLC	±	ANGLES	±		APPLICATION SPEC	-	
0 PLC	±	0 <XX<10	±	0.2																									
1 PLC	±	10 <XX<30	±	0.25																									
2 PLC	±	30 <XX	±	0.3																									
3 PLC	±	ANGLES	±	3°																									
4 PLC	±	ANGLES	±																										
MATERIAL TRD material_2	FINISH -	WEIGHT 0.14g	SIZE A3	CAGE CODE 00779																									
CUSTOMER DRAWING		DRAWING NO G-368932	RESTRICTED TO -	SCALE 10:1																									
		SHEET 1	OF 1	REV B																									